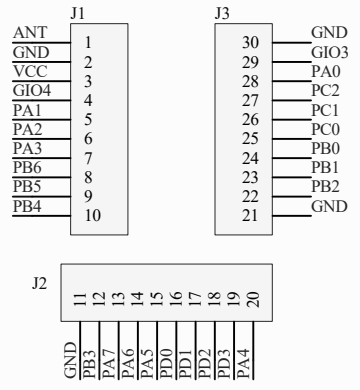


NOTE:433.92 MHz



Title		
Size A4	Number	Revision
Date:	2022/6/22	Sheet of
File:	\\.\BM36C5214-0 20201031.SchDoc	Drawn By:

1

2

3

4

1

2

3

4