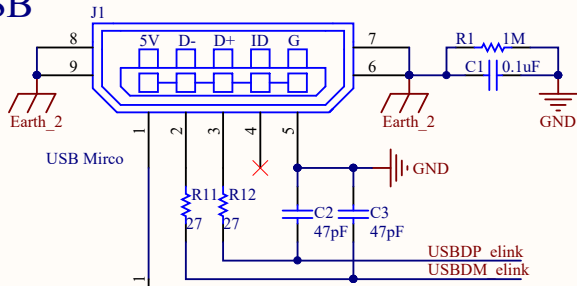
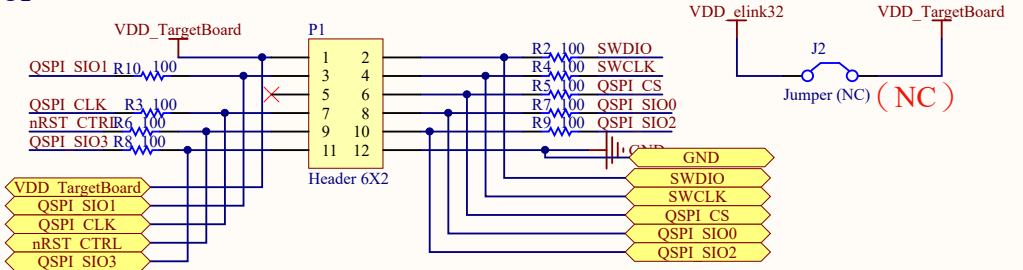


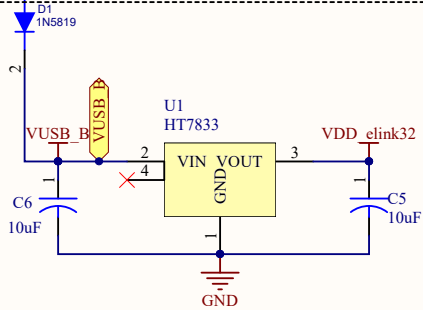
USB



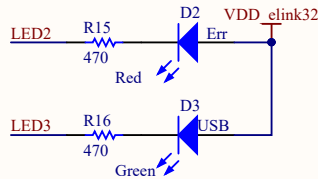
SWD+SPI Connector



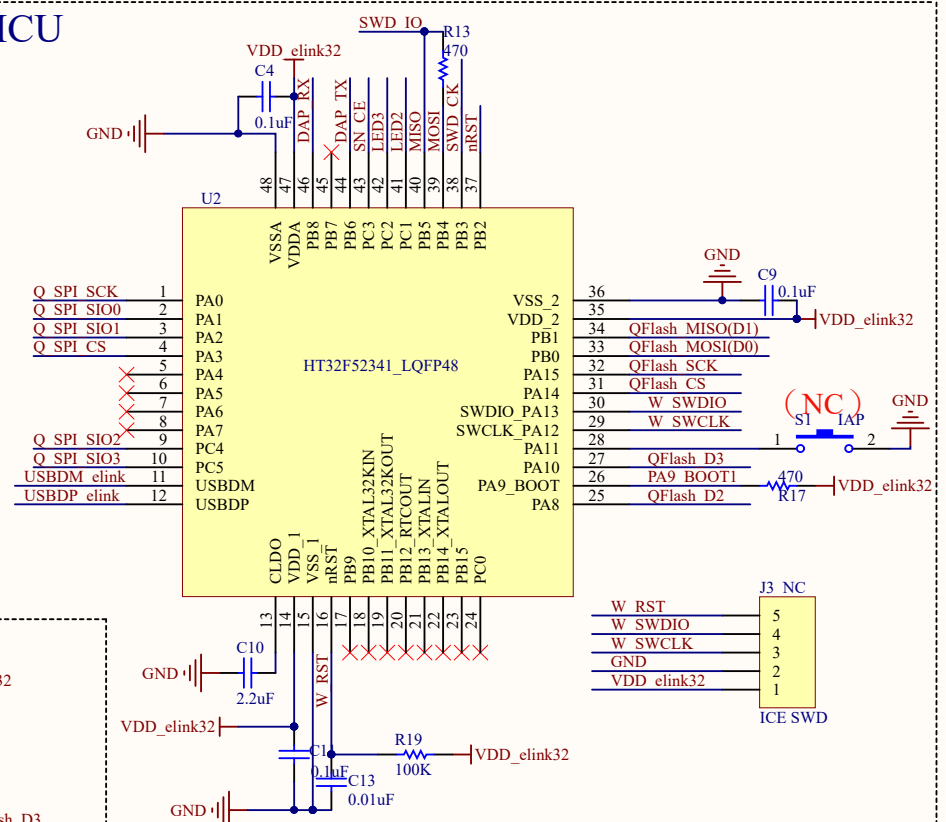
Power



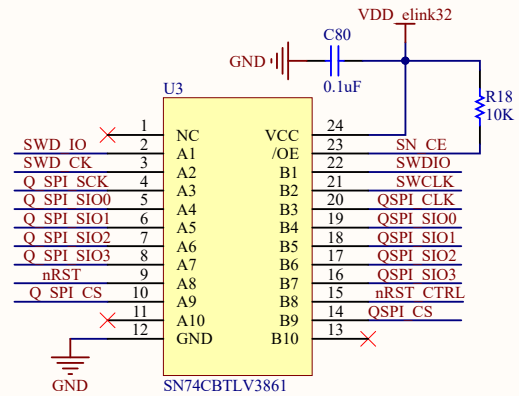
LED



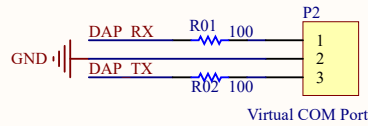
MCU



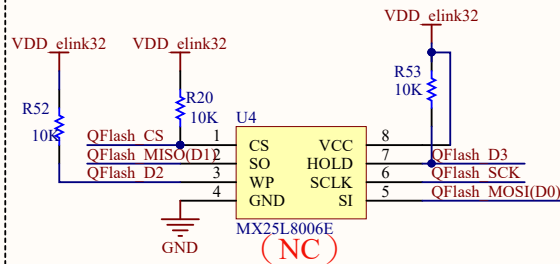
SWITCH BUFFER



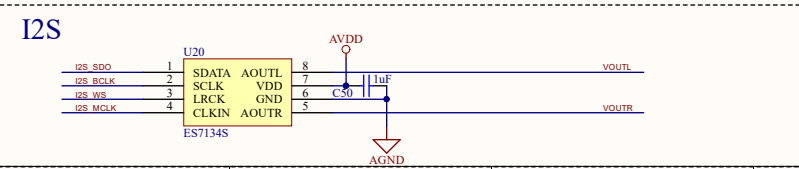
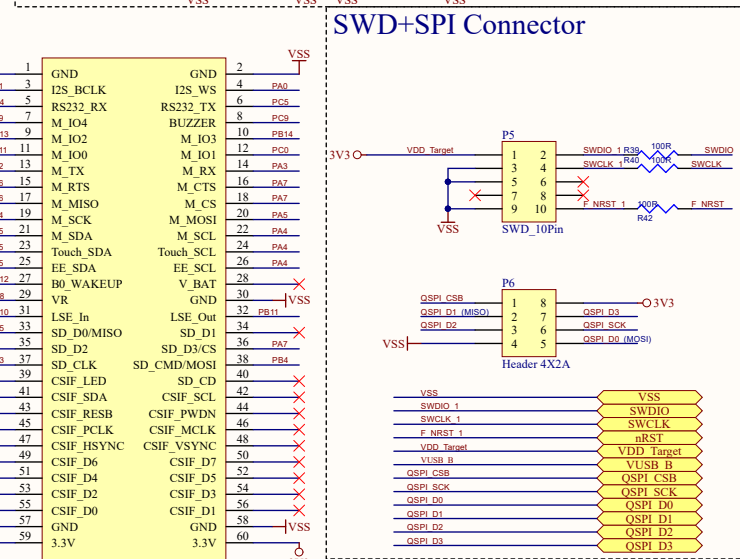
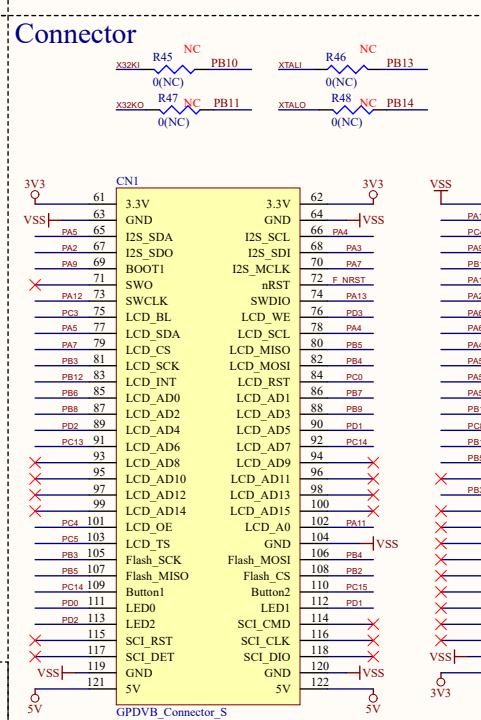
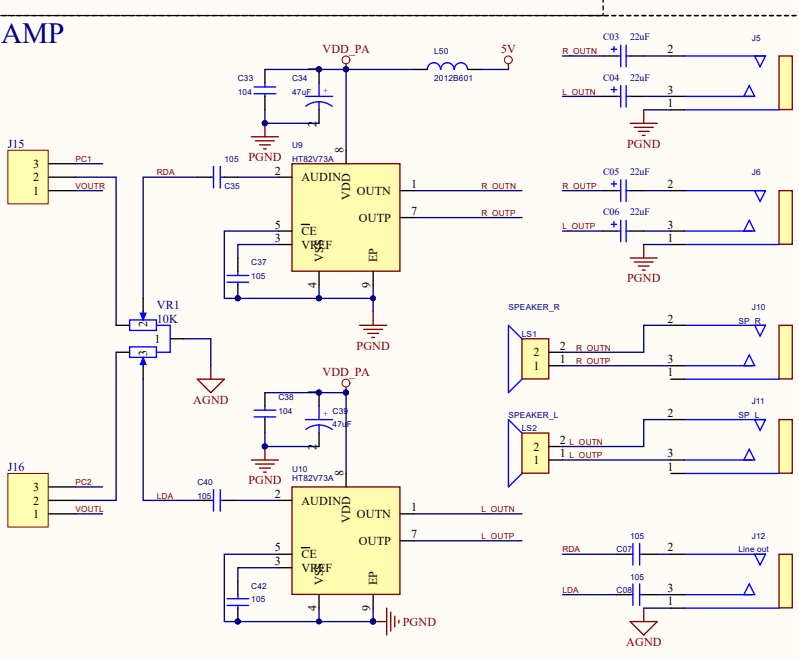
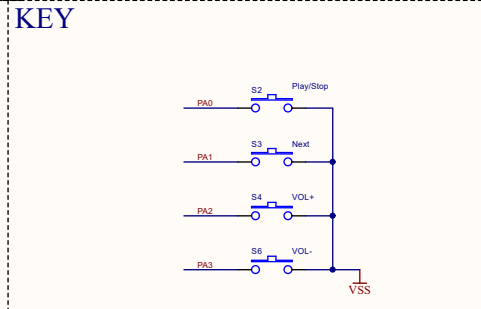
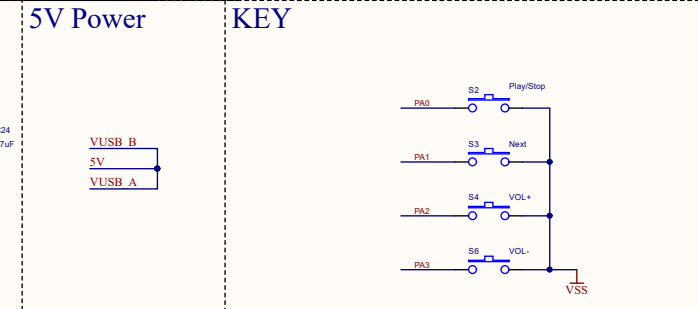
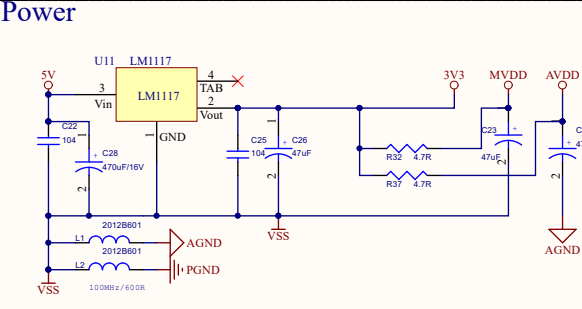
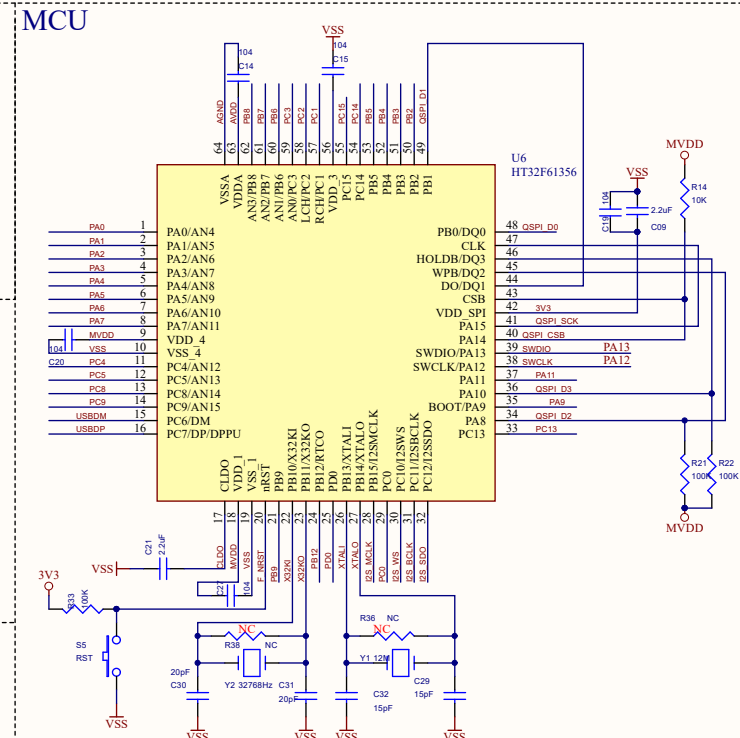
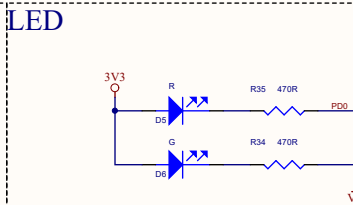
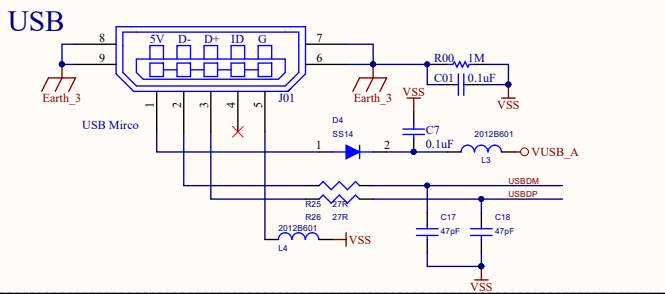
Virtual COM



FLASH



Title		
Size	Number	Revision
A4		
Date:	2020/9/14	Sheet of
File:	\\.\e-Bridge32 Lite V1.0 20190606.Sch	Drawn By:



Title		
Size	Number	Revision
A3		
Date:	2020/9/14	Sheet of
File:	\\HT32F61356_Startkit_V1.0_2020080713	Sheet No:By:

U_e-Bridge32_Lite_V1
 e-Bridge32_Lite_V1.0_20190606.SchDoc

U_HT32F61356_Startkit_V1
 HT32F61356_Startkit_V1.0_20200807.SchDoc



Title		
Size A4	Number	Revision
Date:	2020/9/14	Sheet of
File:	\\.\Relationship.SchDoc	Drawn By: