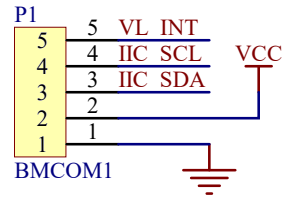
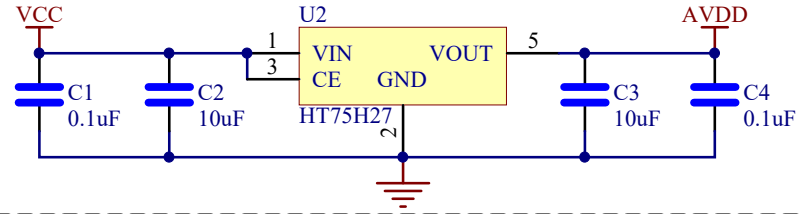


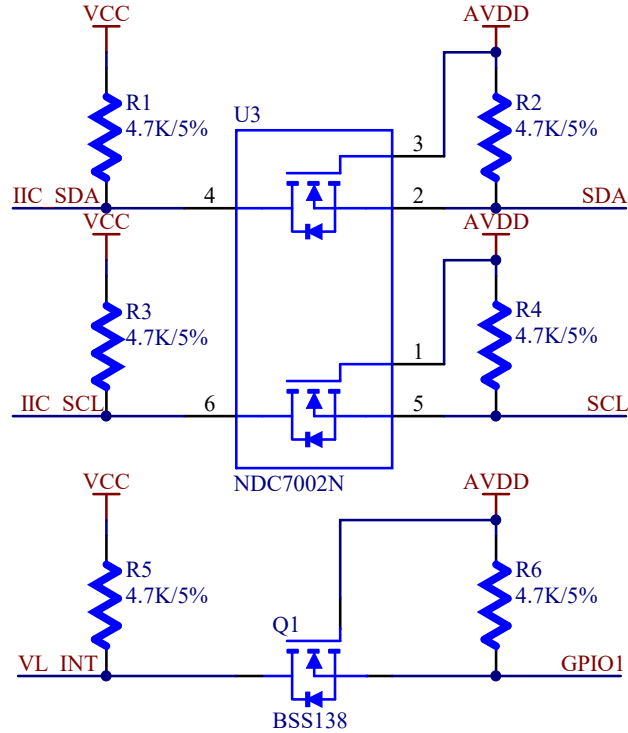
BMCOM



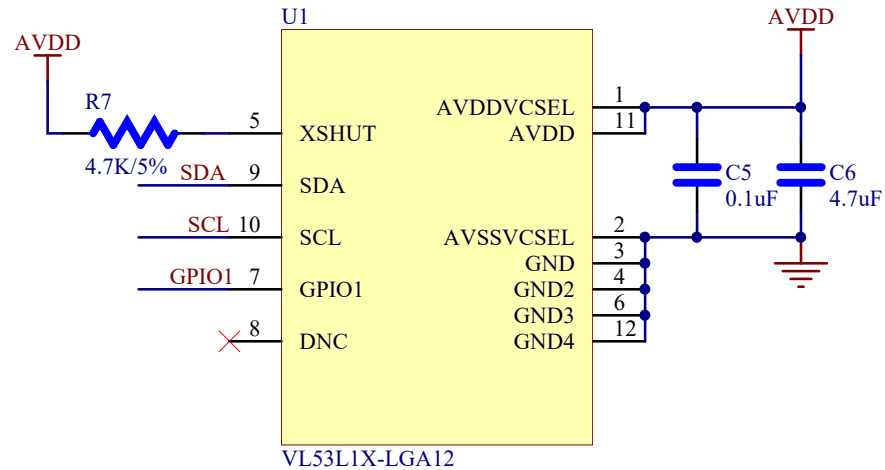
Power Circuit



Level Shift



VL53L1X Sensor



Title:	BML36M001
Design by:	BESTMOUDLES TEAM
Data:	2023/5/5
Rev:	V1.0

