

1

2

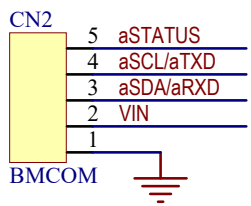
3

4

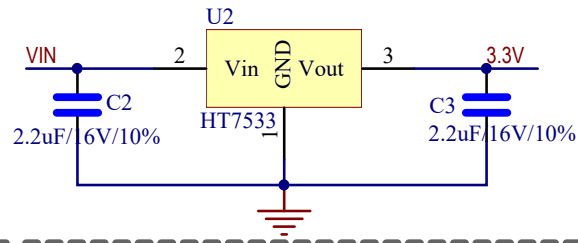
5

6

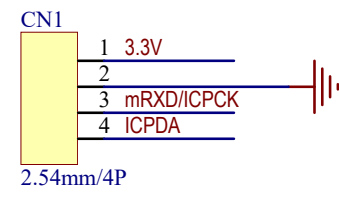
BMCOM



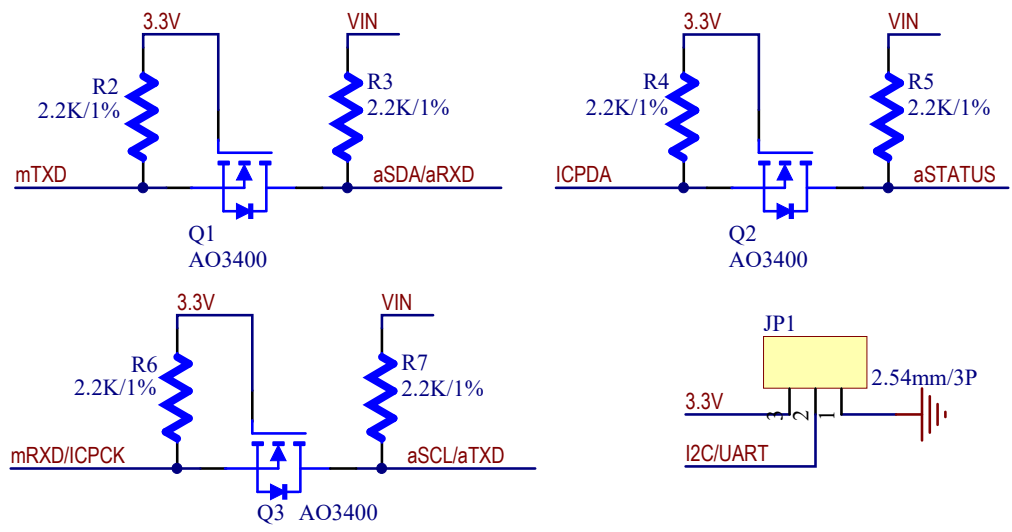
Power Circuit



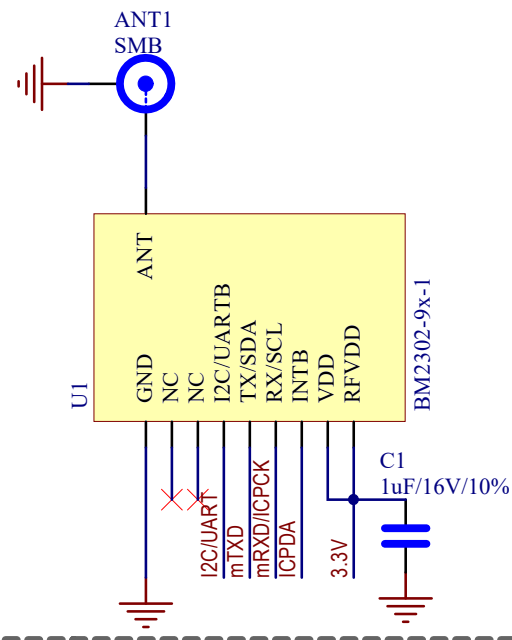
Programming Port



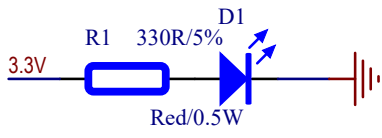
Level Shift



Sub-1GHz OOK RX Module



LED Indicator



Title:	BMC23M0x1
Design by:	BESTMOUDLES TEAM
Data:	2023/4/20
Rev:	V1.0



1

2

3

4

5

6