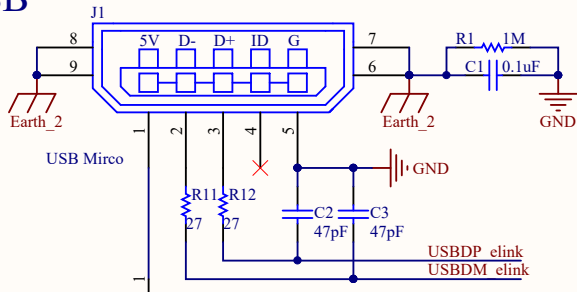
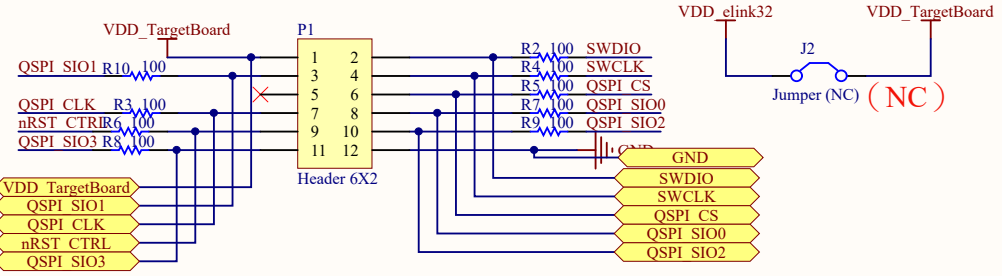


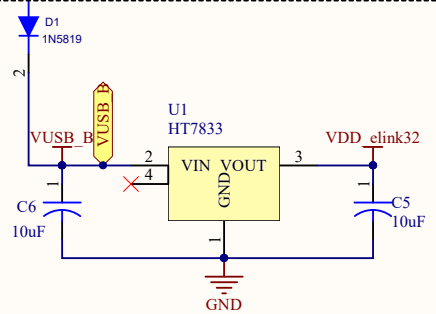
# USB



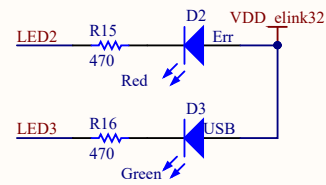
# SWD+SPI Connector



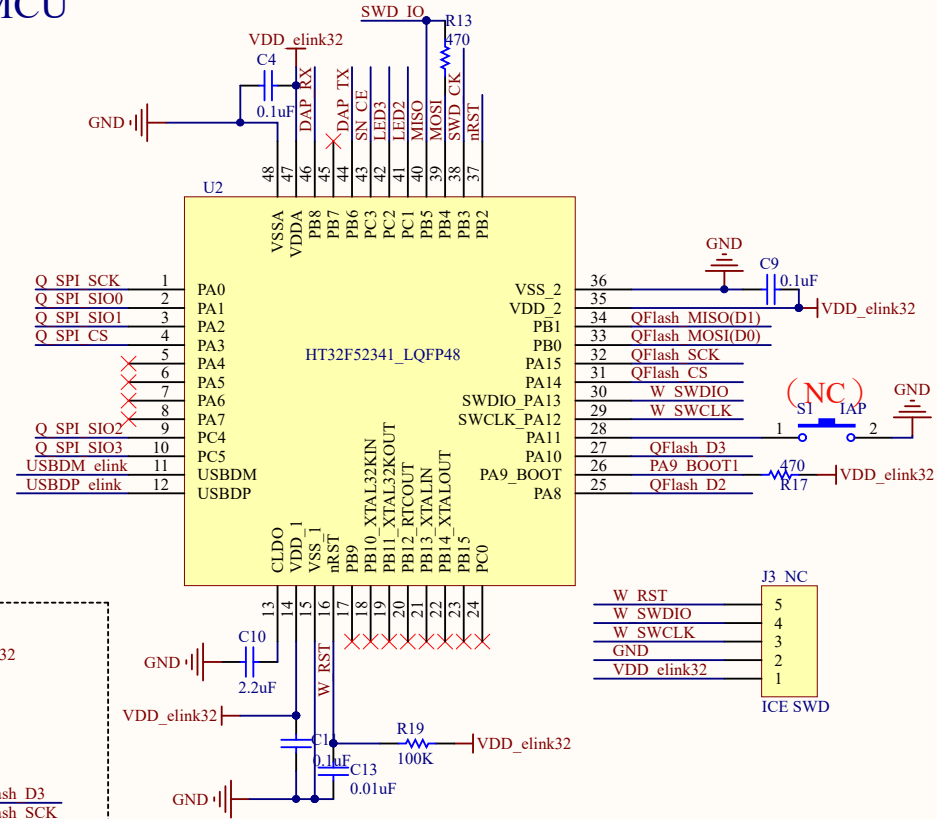
# Power



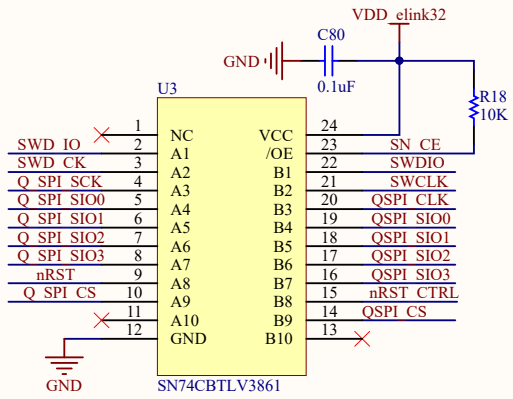
# LED



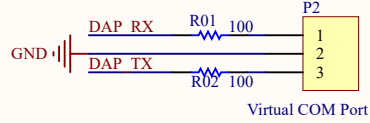
# MCU



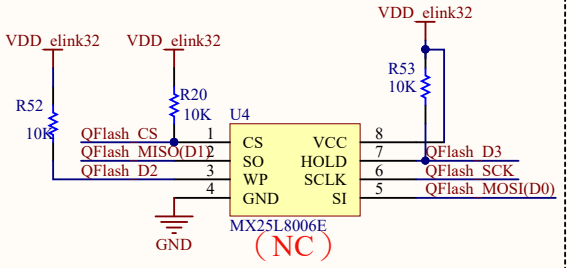
# SWITCH BUFFER



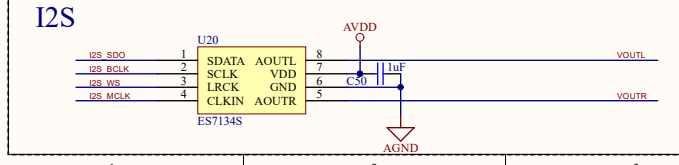
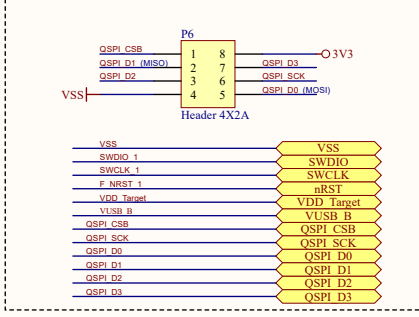
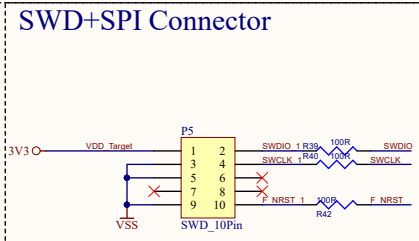
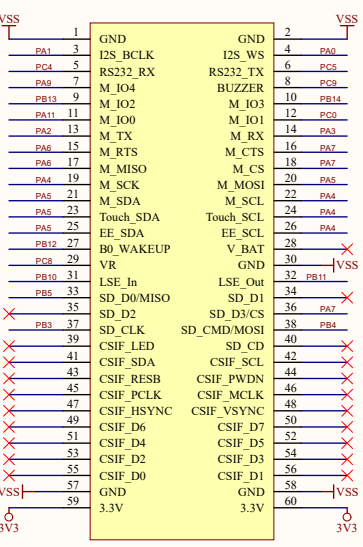
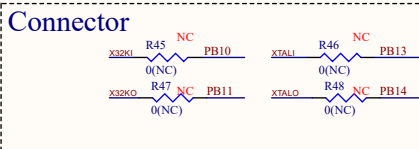
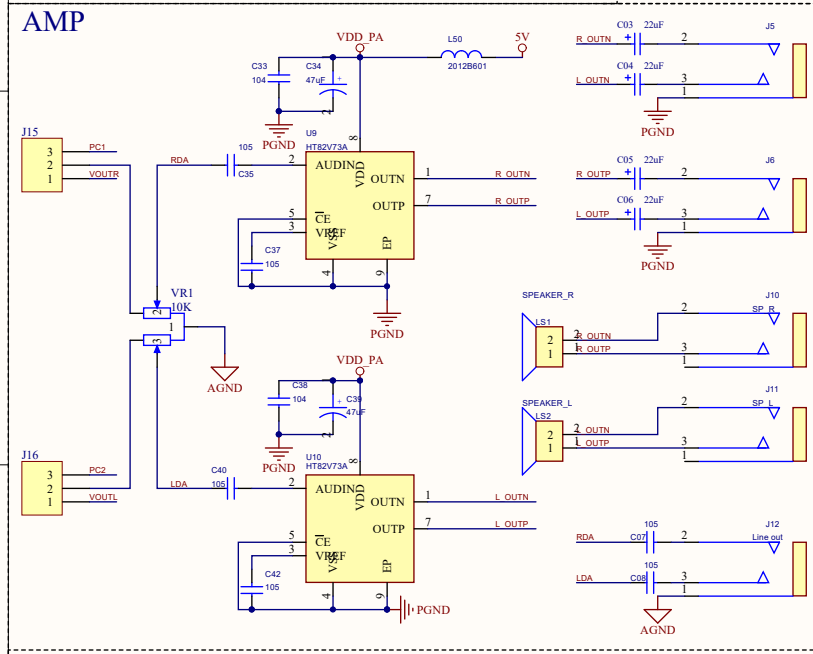
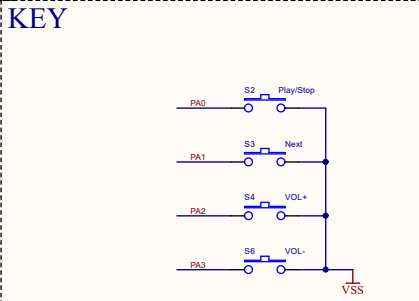
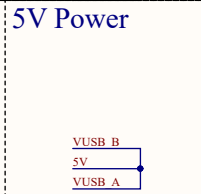
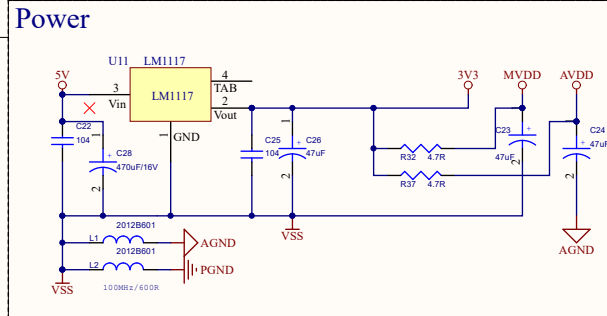
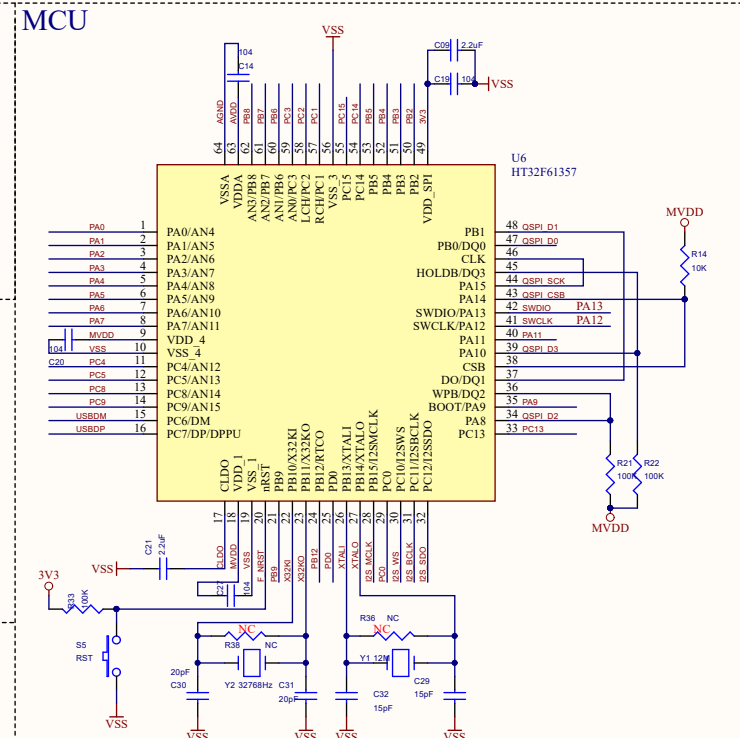
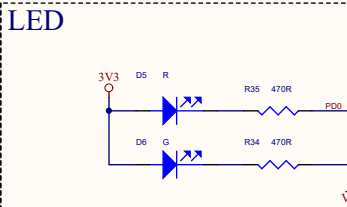
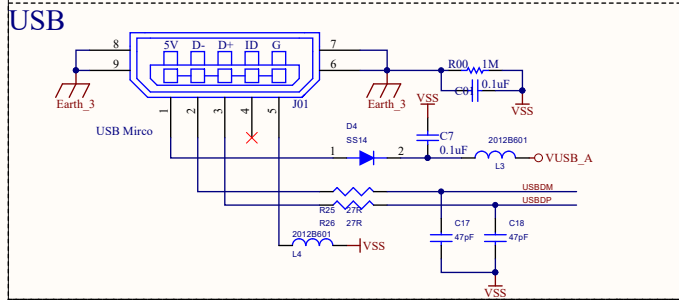
# Virtual COM



# FLASH



Title		
Size	Number	Revision
A4		
Date:	2020/9/14	Sheet of
File:	\\.\e-Bridge32 Lite V1.0 20190606.Sch	Drawn By:



Title		
Size	Number	Revision
A3		
Date:	2020/9/14	Sheet of
File:	\\_HT32F61357_Startkit_V1.0_SchDoc	Drawn By:

U\_e-Bridge32\_Lite\_V1  
 e-Bridge32\_Lite\_V1.0\_20190606.SchDoc

U\_HT32F61357\_Startkit\_V1  
 HT32F61357\_Startkit\_V1.0.SchDoc



Title		
Size A4	Number	Revision
Date:	2020/9/14	Sheet of
File:	\\.\Relationship.SchDoc	Drawn By: