

A

A

B

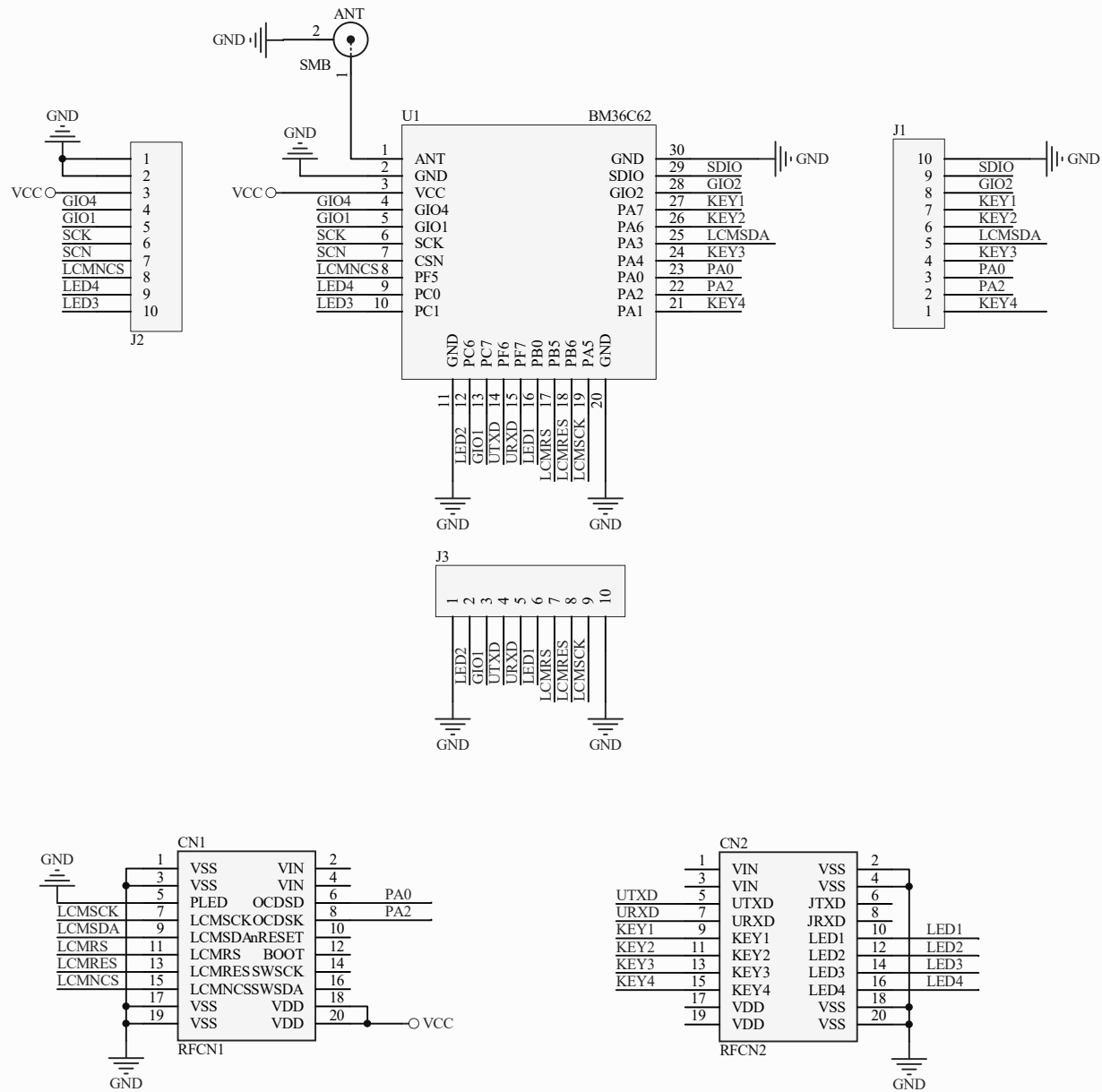
B

C

C

D

D



Title		
Size	Number	Revision
A4		
Date:	2022/3/11	Sheet of
File:	E:\開發\BCT-3662-001.SchDoc	Drawn By: