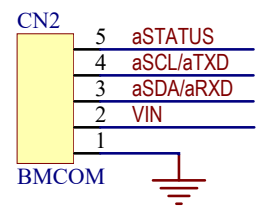
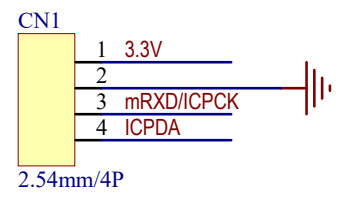


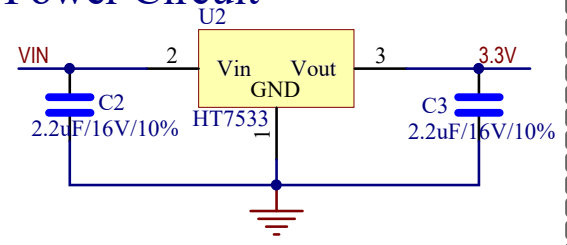
BMCOM



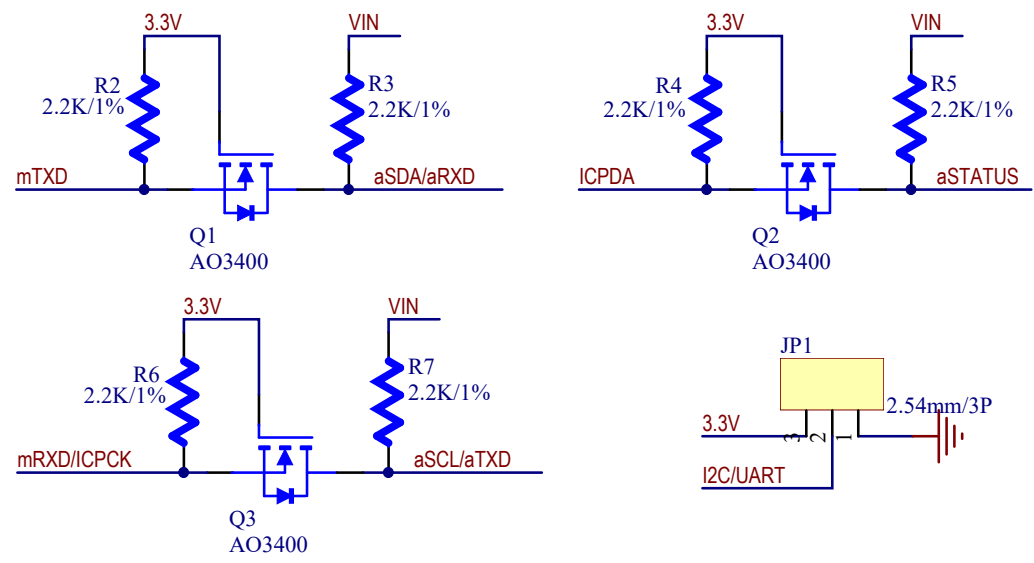
Programming Port



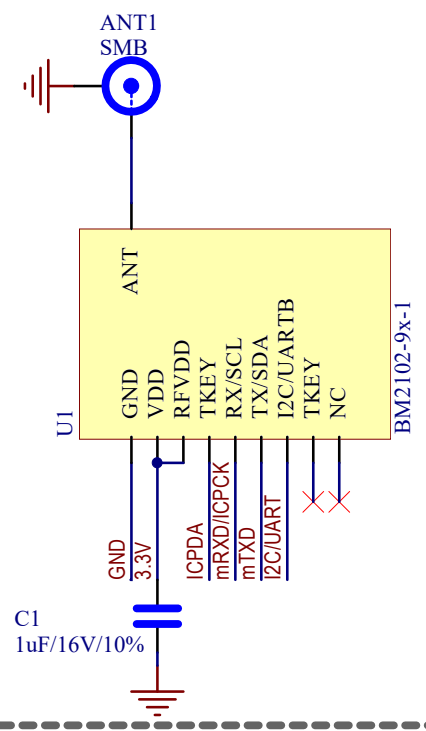
Power Circuit



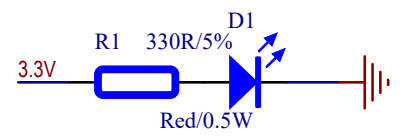
Level Shift



Sub-1GHz OOK TX Module



LED Indicator



Title:	BMC21M0x1
Design by:	BESTMOUDLES TEAM
Data:	2023/4/20
Rev:	V1.0

