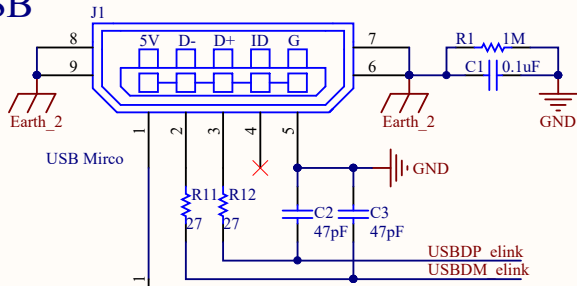
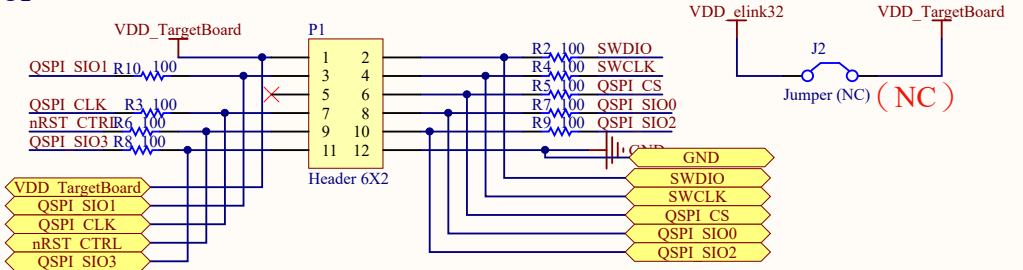


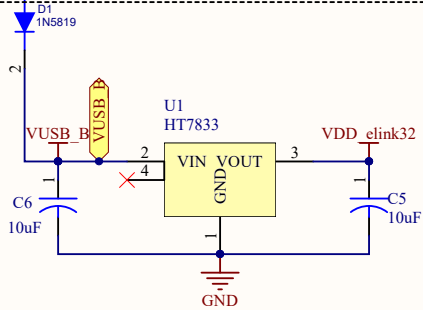
USB



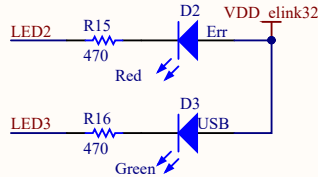
SWD+SPI Connector



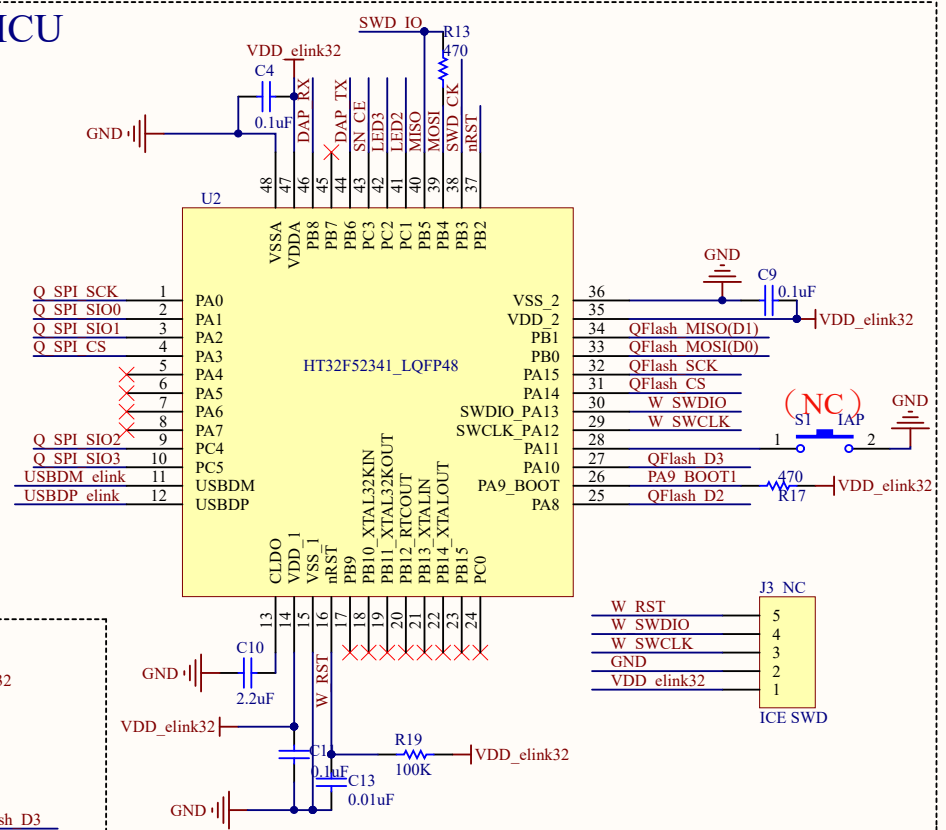
Power



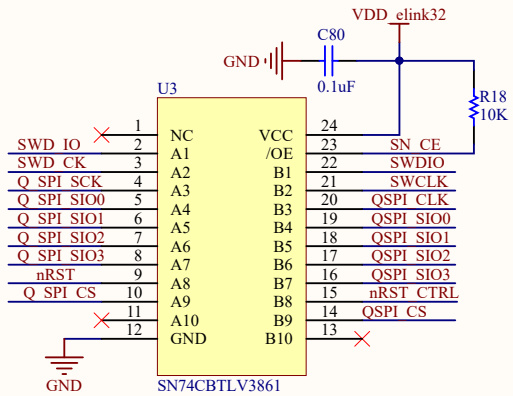
LED



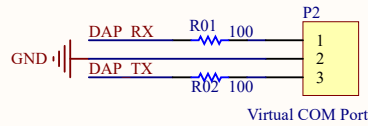
MCU



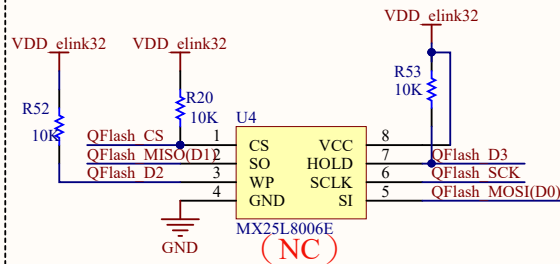
SWITCH BUFFER



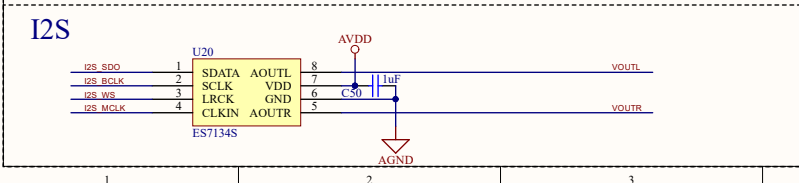
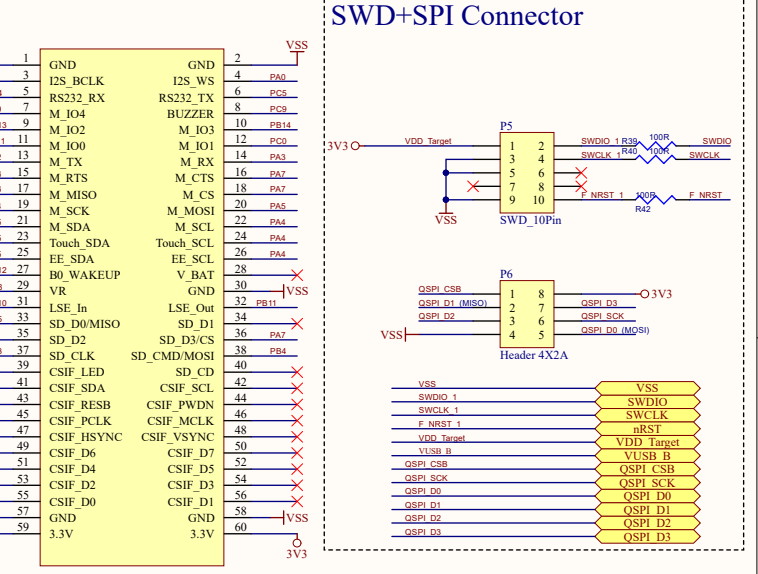
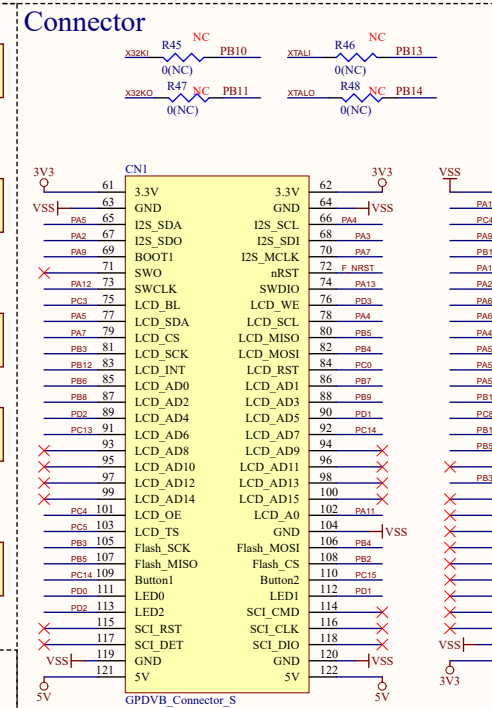
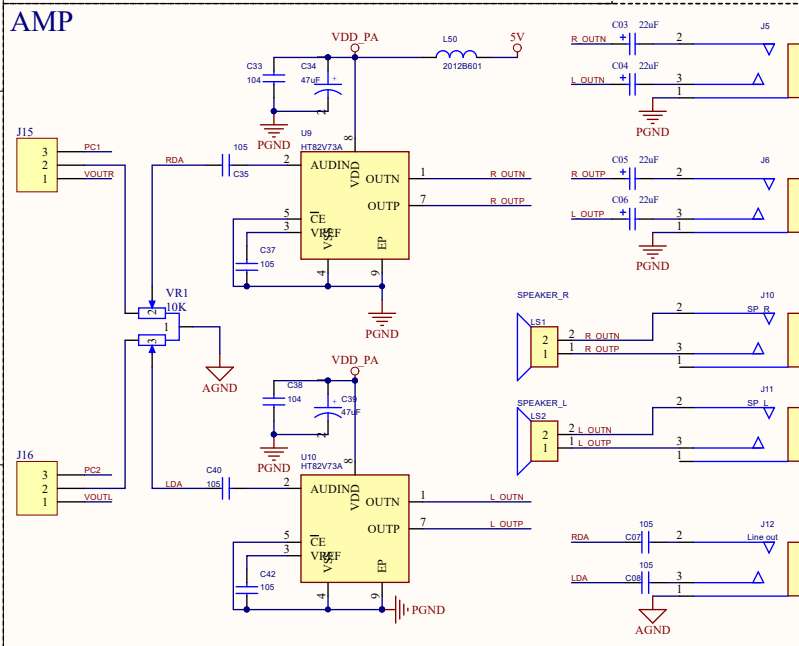
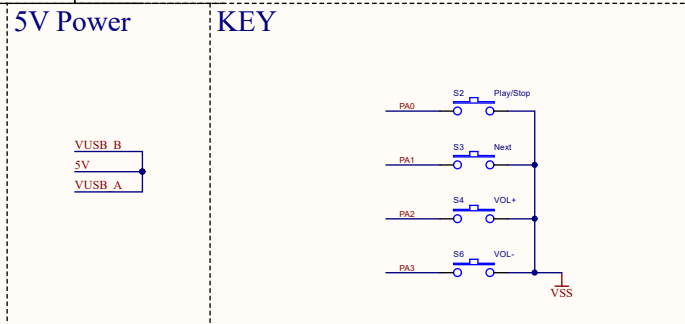
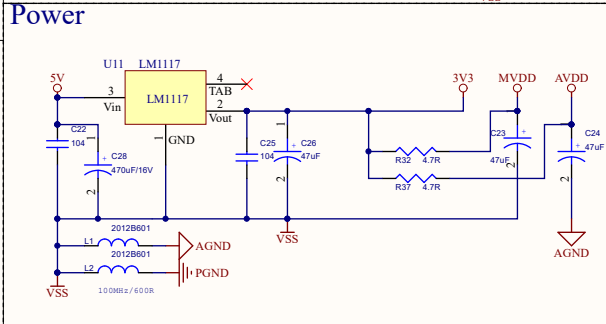
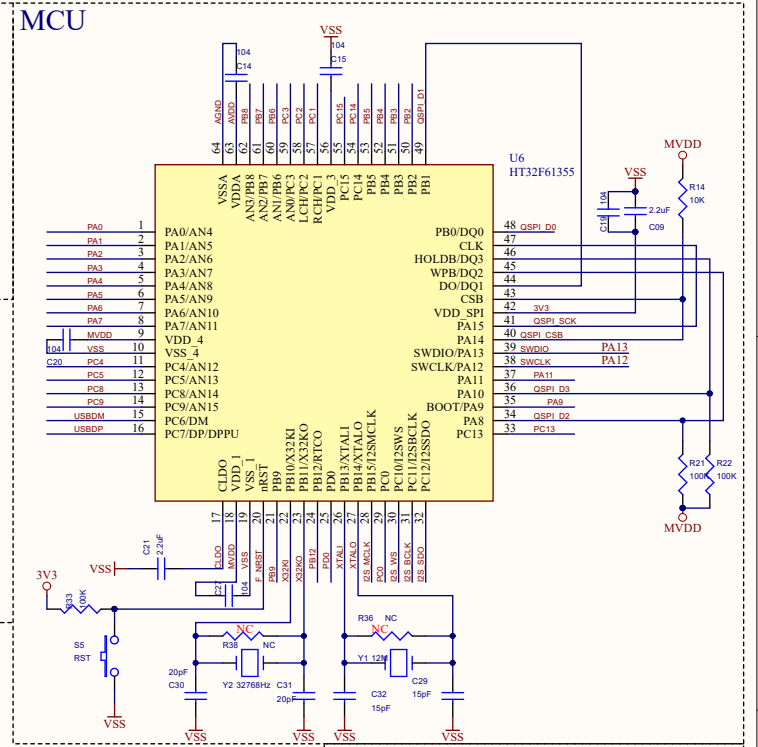
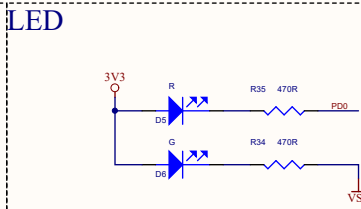
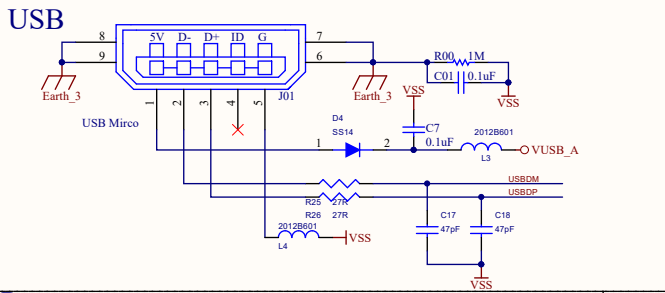
Virtual COM



FLASH



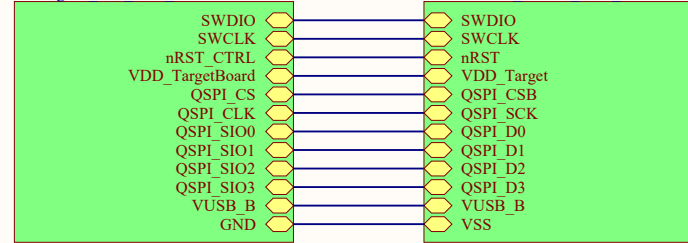
Title		
Size	Number	Revision
A4		
Date:	2020/9/14	Sheet of
File:	\\.\e-Bridge32 Lite V1.0 20190606.Sch	Drawn By:



Size	Number	Revision
A3	2020/9/14	
Date:	2020/9/14	Sheet of
File:	\\HT32F61355_Startkit_V1.0_2020080713	Drawn By:

U_e-Bridge32_Lite_V1
 e-Bridge32_Lite_V1.0_20190606.SchDoc

U_HT32F61355_Startkit_V1
 HT32F61355_Startkit_V1.0_20200807.SchDoc



Title		
Size A4	Number	Revision
Date:	2020/9/14	Sheet of
File:	\\.\Relationship.SchDoc	Drawn By: