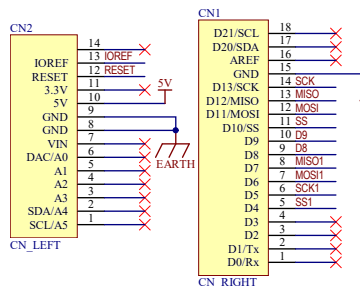
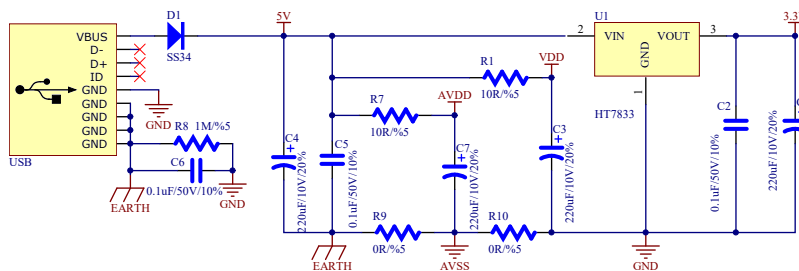


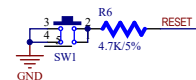
### BMduino-Shield



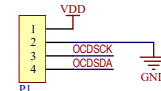
### Power Circuit



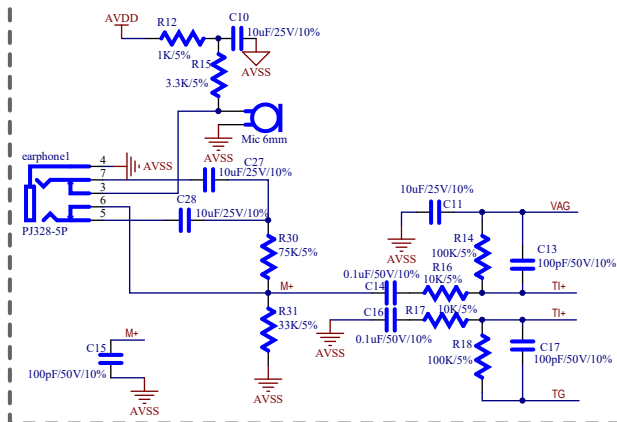
### Reset Circuit



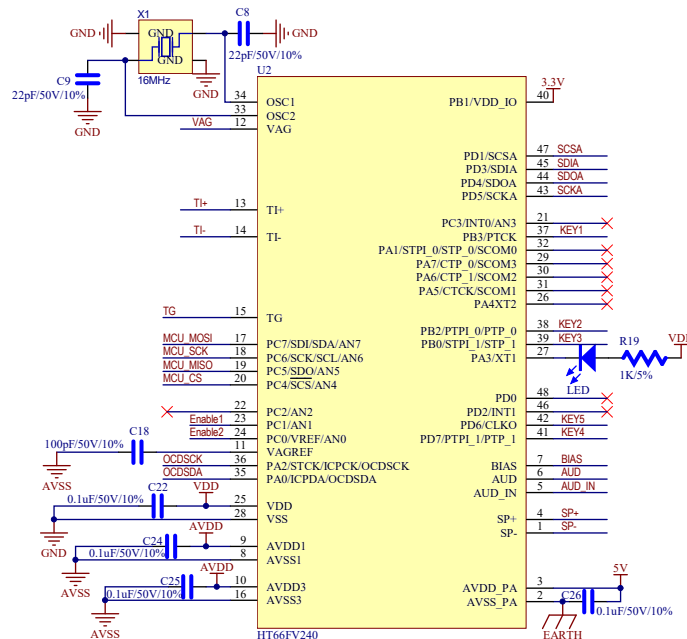
### Programming Port



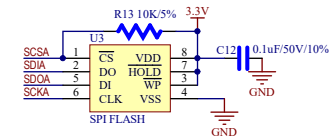
### Audio Input



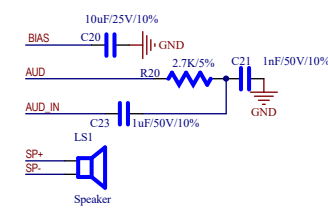
### MCU



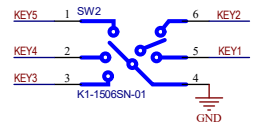
### SPI Flash



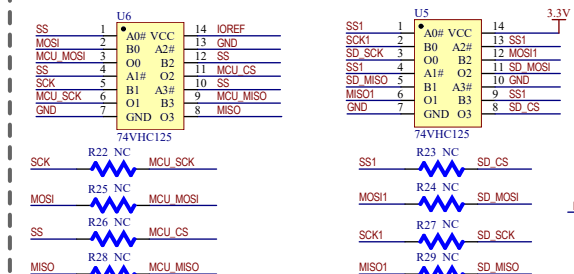
### Audio Out



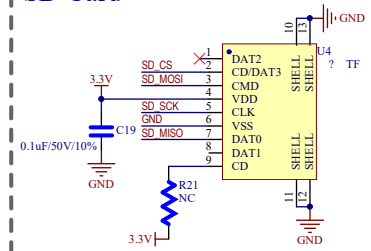
### Multi-function Key



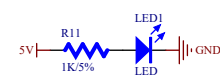
### Level Shift



### SD Card



### LED Indicator



Title:	BMV36T001
Design by:	BESTMOUDLES TEAM
Data:	2023/5/12
Rev:	V1.0

