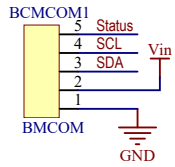
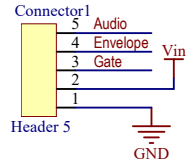


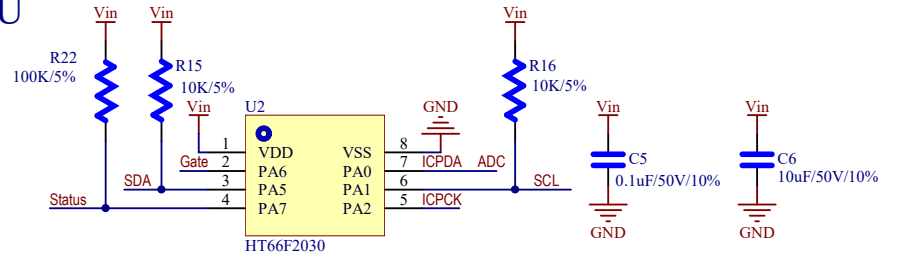
BMCOM



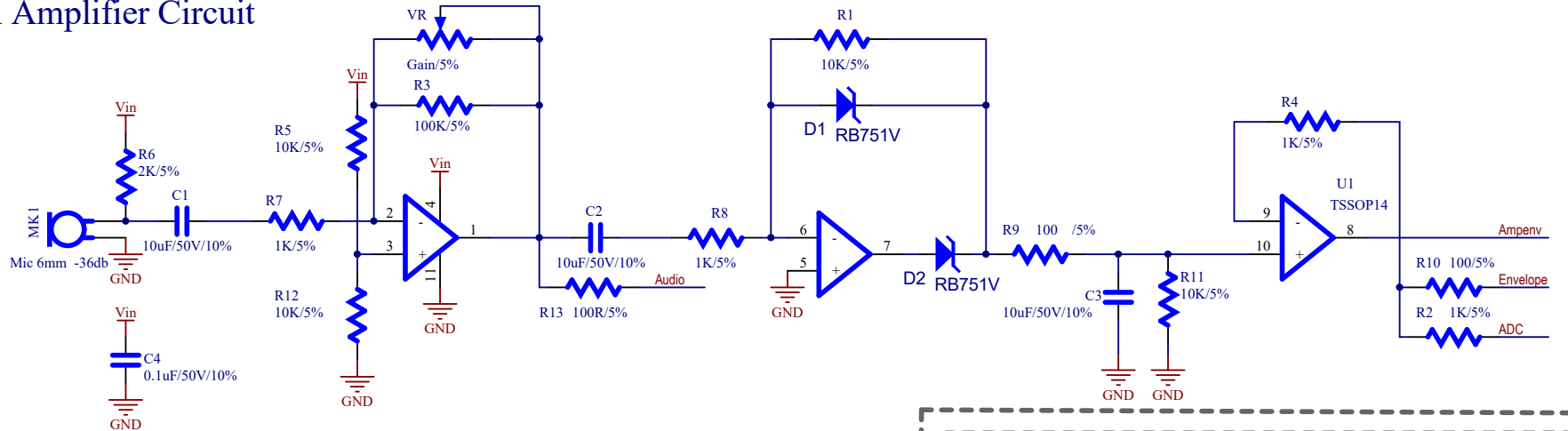
Sound Output Interface



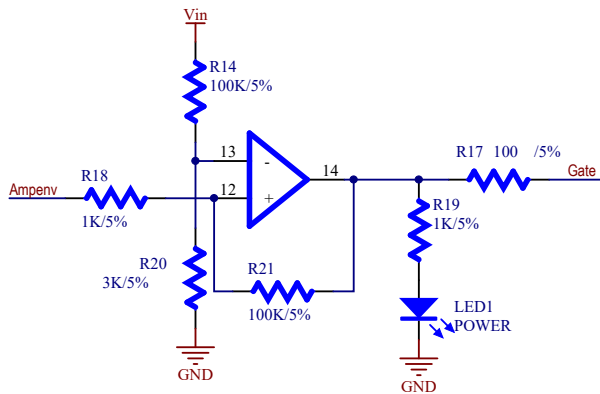
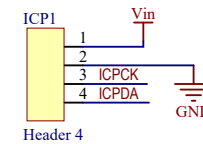
MCU



Operational Amplifier Circuit



Programming Port



Title:	BMV23M001
Design by:	BESTMOUDLES TEAM
Data:	2023/5/16
Rev:	V1.0

