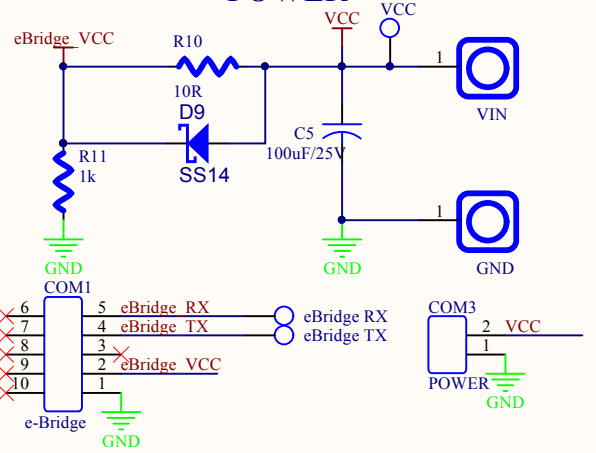
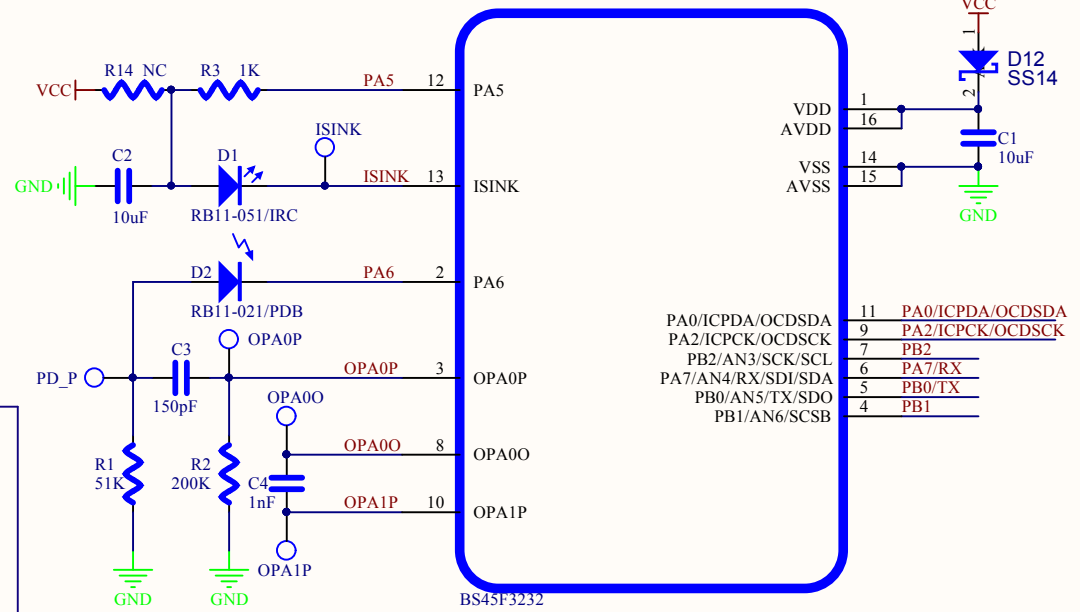


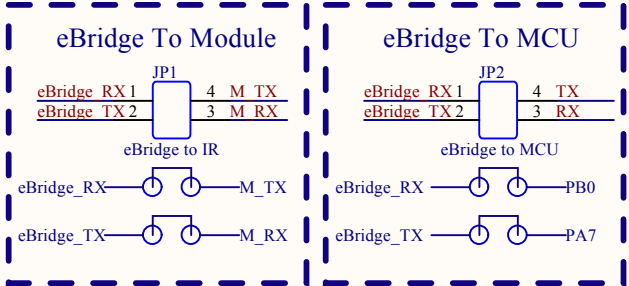
POWER



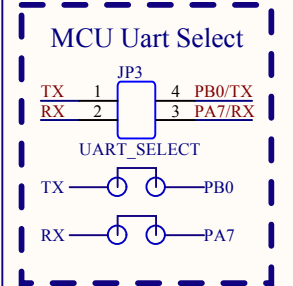
MCU



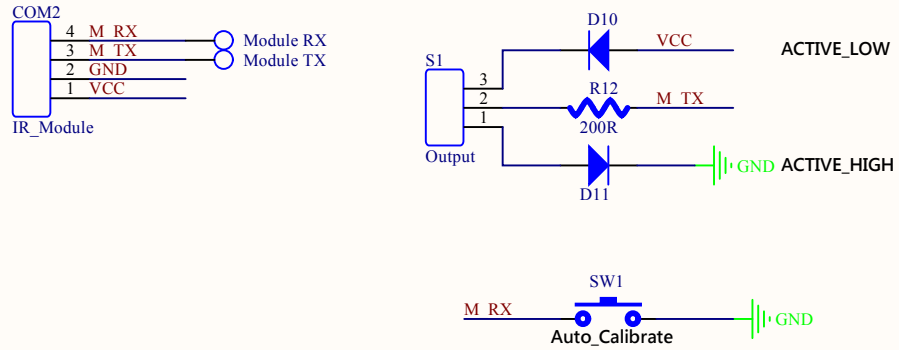
UART SWITCH



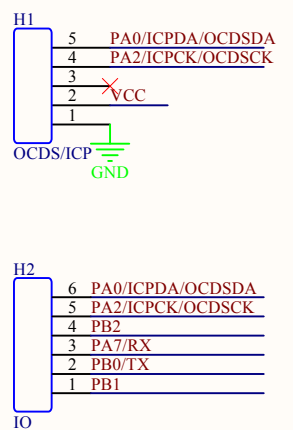
IO SWITCH



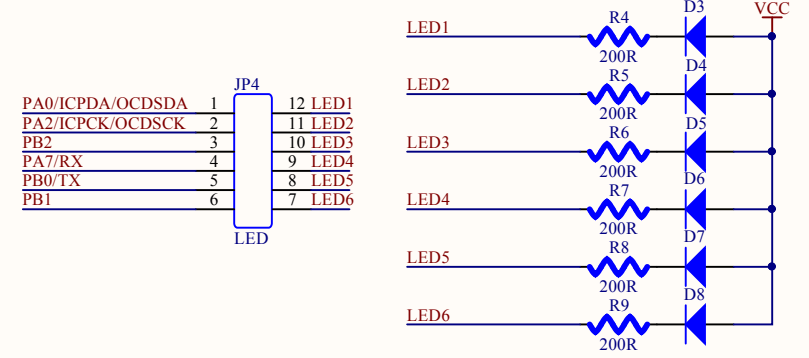
IR MODULE



IO



LED



Title		
Size	Number	Revision
A4		
Date:	2021/7/26	Sheet of
File:	C:\Users\...BS45F3232_Dev Board_V1.01	Drawn By: