



---

**Sub-1GHz RF Transmitter Flash MCU**

**BC68F2123**

Revision: V1.50 Date: December 29, 2021

[www.holtek.com](http://www.holtek.com)

## Table of Contents

<b>Features</b> .....	<b>5</b>
CPU Features .....	5
Peripheral Features.....	5
RF Transmitter Features .....	5
<b>General Description</b> .....	<b>6</b>
<b>Block Diagram</b> .....	<b>6</b>
<b>Pin Assignment</b> .....	<b>7</b>
<b>Pin Description</b> .....	<b>7</b>
Interconnection Signal Description.....	9
<b>Absolute Maximum Ratings</b> .....	<b>9</b>
<b>D.C. Characteristics</b> .....	<b>9</b>
<b>A.C. Characteristics</b> .....	<b>10</b>
<b>LVD/LVR Electrical Characteristics</b> .....	<b>11</b>
<b>RF Characteristics</b> .....	<b>11</b>
D.C. Characteristics .....	11
A.C. Characteristics .....	12
I <sup>2</sup> C Characteristics.....	13
<b>Power-on Reset Characteristics</b> .....	<b>13</b>
<b>System Architecture</b> .....	<b>14</b>
Clocking and Pipelining.....	14
Program Counter.....	15
Stack .....	15
Arithmetic and Logic Unit – ALU .....	16
<b>Flash Program Memory</b> .....	<b>16</b>
Structure.....	16
Special Vectors .....	17
Look-up Table.....	17
Table Program Example.....	17
In Circuit Programming – ICP .....	18
On-Chip Debug Support – OCDS .....	19
<b>Data Memory</b> .....	<b>20</b>
Structure.....	20
General Purpose Data Memory .....	20
Special Purpose Data Memory .....	21
<b>Special Function Register Description</b> .....	<b>22</b>
Indirect Addressing Registers – IAR0, IAR1 .....	22
Bank Pointer – BP.....	23
Accumulator – ACC.....	23
Program Counter Low Register – PCL.....	23
Look-up Table Registers – TBLP, TBLH.....	23

Status Register – STATUS .....	24
<b>EEPROM Data Memory.....</b>	<b>26</b>
EEPROM Data Memory Structure .....	26
EEPROM Registers .....	26
Reading Data from the EEPROM .....	28
Writing Data to the EEPROM.....	28
Write Protection.....	28
EEPROM Interrupt .....	28
Programming Considerations.....	29
<b>Oscillators .....</b>	<b>30</b>
Oscillator Overview .....	30
System Clock Configurations .....	30
Internal RC Oscillator – HIRC .....	31
Internal 32kHz Oscillator – LIRC.....	31
Supplementary Oscillator .....	31
<b>Operating Modes and System Clocks .....</b>	<b>31</b>
System Clocks .....	31
System Operation Modes.....	32
Control Register .....	33
Operating Mode Switching .....	35
Standby Current Considerations.....	38
Wake-up .....	38
<b>Watchdog Timer.....</b>	<b>39</b>
Watchdog Timer Clock Source.....	39
Watchdog Timer Control Register .....	39
Watchdog Timer Operation .....	40
<b>Reset and Initialisation.....</b>	<b>41</b>
Reset Functions .....	41
Reset Initial Conditions .....	44
<b>Input/Output Ports .....</b>	<b>46</b>
Pull-high Resistors .....	47
Port A Wake-up .....	47
I/O Port Input/Output Control .....	48
Pin-shared Functions .....	48
I/O Pin Structures.....	50
Programming Considerations.....	51
<b>Timer Modules – TM .....</b>	<b>51</b>
Introduction .....	51
TM Operation .....	52
TM Clock Sources.....	52
TM Interrupts.....	52
TM External Pins.....	52
Programming Considerations.....	53

<b>Standard Type TM – STM</b> .....	<b>54</b>
Standard TM Operation.....	54
Standard Type TM Register Description .....	55
Standard Type TM Operating Modes .....	59
<b>Periodic Type TM – PTM</b> .....	<b>69</b>
Periodic TM Operation .....	69
Periodic Type TM Register Description .....	70
Periodic Type TM Operating Modes.....	74
<b>Interrupts</b> .....	<b>83</b>
Interrupt Registers.....	83
Interrupt Operation .....	86
External Interrupt.....	87
Time Base Interrupts .....	87
Multi-function Interrupts.....	88
EEPROM Write Interrupt.....	88
TM Interrupts.....	89
Interrupt Wake-up Function.....	89
Programming Considerations.....	89
<b>Low Voltage Detector – LVD</b> .....	<b>90</b>
LVD Register .....	90
LVD Operation.....	91
<b>RF Transmitter</b> .....	<b>91</b>
State Control .....	92
RF Transmitter Module Registers .....	94
<b>Application Circuits</b> .....	<b>98</b>
<b>Instruction Set</b> .....	<b>99</b>
Introduction .....	99
Instruction Timing .....	99
Moving and Transferring Data.....	99
Arithmetic Operations.....	99
Logical and Rotate Operation .....	100
Branches and Control Transfer .....	100
Bit Operations .....	100
Table Read Operations .....	100
Other Operations.....	100
<b>Instruction Set Summary</b> .....	<b>101</b>
Table Conventions.....	101
<b>Instruction Definition</b> .....	<b>103</b>
<b>Package Information</b> .....	<b>112</b>
16-pin NSOP (150mil) Outline Dimensions (Exposed Pad) .....	113

## Features

### CPU Features

- Operating Voltage
  - ♦  $f_{SYS}=8\text{MHz}$ : 2.2V~3.6V
- Up to 0.5 $\mu\text{s}$  instruction cycle with 8MHz system clock
- Power down and wake-up functions to reduce power consumption
- Oscillator types
  - ♦ Internal High Speed 8MHz RC – HIRC
  - ♦ Internal Low Speed 32kHz RC – LIRC
- Multi-mode operation: NORMAL, SLOW, IDLE and SLEEP
- Fully integrated internal oscillators require no external components
- All instructions executed in one or two instruction cycles
- Table read instructions
- 61 powerful instructions
- 2-level subroutine nesting
- Bit manipulation instruction

### Peripheral Features

- Flash Program Memory: 1K $\times$ 14
- RAM Data Memory: 64 $\times$ 8
- True EEPROM Memory: 32 $\times$ 8
- Watchdog Timer function
- 9 bidirectional I/O lines
- One pin-shared external interrupt
- Multiple Timer Modules for time measurement, input capture, compare match output or PWM output or single pulse output function
- Dual Time-Base functions for generation of fixed time interrupt signals
- Low voltage reset function
- Low voltage detect function
- Flash program memory can be re-programmed up to 10,000 times
- Flash program memory data retention > 10 years
- True EEPROM data memory can be re-programmed up to 100,000 times
- True EEPROM data memory data retention > 10 years
- Package type: 16-pin NSOP-EP

### RF Transmitter Features

- Frequency bands: 315MHz, 433MHz, 868MHz, 915MHz
- OOK/FSK modulation
- Output Power up to 13dBm
- TX current consumption @ 433MHz
  - ♦ 17mA typical (FSK, 10dBm)
  - ♦ 11mA typical (OOK, 10dBm, 50% duty cycle)

- OOK symbol rate from 0.5Ksps to 25Ksps
- Programmable FSK data rate up to 50Kbps
- 4-step programmable TX Power: 0 / 5 / 10 / 13dBm
- Supports low cost 16MHz crystal
- Fully integrated VCO, on chip loop filter and Fractional-N PLL synthesizer
- FCC / ETSI Compliant

## General Description

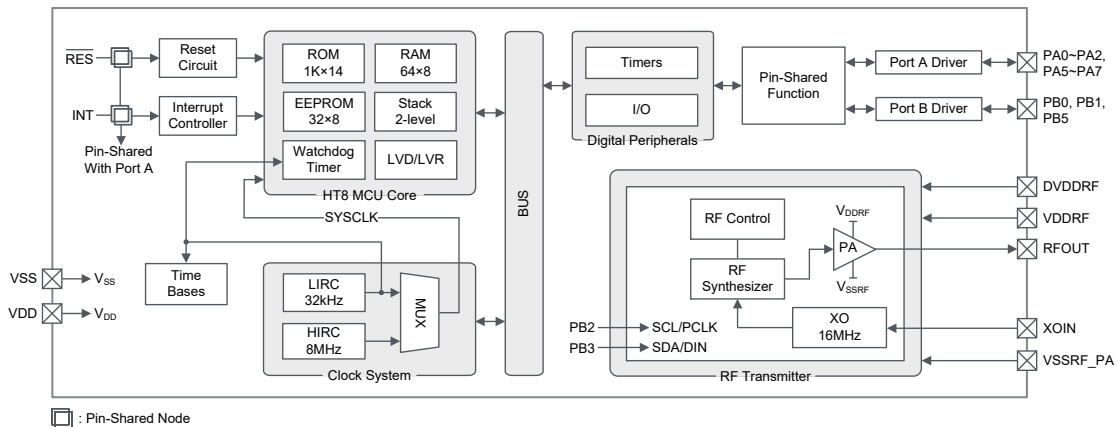
The BC68F2123 is an OOK/FSK transmitter MCU for remote wireless applications in the 315MHz, 433MHz, 868MHz and 915MHz frequency bands.

The MCU is a Flash memory type 8-bit high performance RISC architecture microcontroller and offers users the convenience of Flash memory multi-programming features. It includes an area of RAM Data Memory as well as an area of true EEPROM memory for storage of non-volatile data such as serial numbers, calibration data etc. The device includes multiple and extremely flexible Timer Modules, internal oscillators, Time Base functions, low voltage reset, low voltage detection and Watchdog Timer functions.

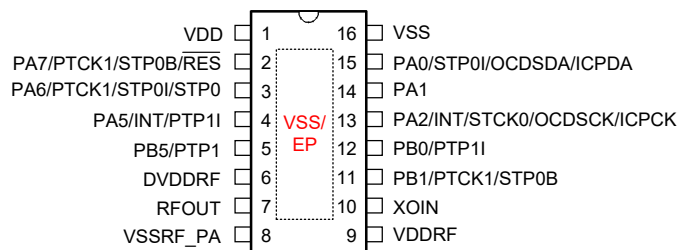
The OOK/FSK transmitter can be used for remote wireless applications in the 315MHz, 433MHz, 868MHz and 915MHz frequency bands. It is a highly integrated and low cost solution for one-way transmitters.

The inclusion of flexible I/O programming features along with many other features of the MCU, ensure that the device only requires a simple peripheral for use in consumer, industrial automation and high-performance unidirectional wireless link applications.

## Block Diagram



## Pin Assignment



**BC68F2123/BC68V2123**  
**16 NSOP-EP-A**

- Note: 1. If the pin-shared pin functions have multiple outputs, the desired pin-shared function is determined by the corresponding software control bits.
2. The OCSDSA and OCDSCK pins are used as the OCDS dedicated pins and only available for the BC68V2123 device which is the OCDS EV chip of the BC68F2123.
3. For the unbonded pins, PA3, PA4 and PB4, the pin status should be properly configured to avoid unwanted power consumption resulting from floating input conditions. Refer to the “Standby Current Considerations” and “Input/Output Ports” sections.

## Pin Description

The function of each pin is listed in the following table, however the details behind how each pin is configured is contained in other sections of the datasheet.

Pin Name	Function	OPT	I/T	O/T	Description
PA0/STP0I/ OCSDSA/ICPDA	PA0	PAWU PAPU	ST	CMOS	General purpose I/O. Register enabled pull-up and wake-up
	STP0I	IFS0	ST	—	TM0 (STM) input
	OCSDSA	—	ST	CMOS	On Chip Debug System Data Line (OCDS EV only)
	ICPDA	—	ST	CMOS	ICP Data Line
PA1	PA1	PAWU PAPU	ST	CMOS	General purpose I/O. Register enabled pull-up and wake-up
PA2/INT/STCK0/ OCDSCK/ICPCK	PA2	PAWU PAPU	ST	CMOS	General purpose I/O. Register enabled pull-up and wake-up
	INT	IFS0	ST	—	External interrupt input
	STCK0	IFS0	ST	—	TM0 (STM) clock input
	OCDSCK	—	ST	—	On Chip Debug System Clock Line (OCDS EV only)
PA5/INT/PTP1I	PA5	PAWU PAPU	ST	CMOS	General purpose I/O. Register enabled pull-up and wake-up
	INT	IFS0	ST	—	External interrupt input
	PTP1I	IFS0	ST	—	TM1 (PTM) input
PA6/PTCK1/STP0I/ STP0	PA6	PAWU PAPU PASR	ST	CMOS	General purpose I/O. Register enabled pull-up and wake-up
	PTCK1	PASR IFS0	ST	—	TM1 (PTM) clock input
	STP0I	PASR IFS0	ST	—	TM0 (STM) input
	STP0	PASR	—	CMOS	TM0 (STM) output

Pin Name	Function	OPT	I/T	O/T	Description
PA7/PTCK1/STP0B/ RES	PA7	PAWU PAPU PASR	ST	CMOS	General purpose I/O. Register enabled pull-up and wake-up
	PTCK1	PASR IFS0	ST	—	TM1 (PTM) clock input
	STP0B	PASR	—	CMOS	TM0 (STM) inverted output
	RES	RSTC	ST	—	External reset pin
PB0/PTP1I	PB0	PBPU	ST	CMOS	General purpose I/O. Register enabled pull-up
	PTP1I	IFS0	ST	—	TM1 (PTM) input
PB1/PTCK1/STP0B	PB1	PBPU PBSR	ST	CMOS	General purpose I/O. Register enabled pull-up
	PTCK1	PBSR IFS0	ST	—	TM1 (PTM) clock input
	STP0B	PBSR	—	CMOS	TM0 (STM) inverted output
PB5/PTP1	PB5	PBPU PBSR	ST	CMOS	General purpose I/O. Register enabled pull-up
	PTP1	PBSR	—	CMOS	TM1 (PTM) output
RFOUT	PA_OUT	—	—	AN	RF Power Amplifier output, connect to matching circuit
XOIN	Crystal	—	AN	—	RF transmitter module external crystal input
VSSRF_PA	PA GND	—	PWR	—	RF GND
VDDRF	PA VDD	—	PWR	—	RF Analog positive power supply
DVDDRF	DVDD	—	PWR	—	RF Digital Positive power supply
VDD	VDD	—	PWR	—	Digital positive power supply
VSS	VSS	—	PWR	—	Digital negative power supply
EP	EP	—	PWR	—	Exposed pad, must be connected to ground

Legend: I/T: Input type;

OPT: Optional by register option;

ST: Schmitt Trigger input;

AN: Analog signal.

O/T: Output type;

PWR: Power;

CMOS: CMOS output;



## Interconnection Signal Description

Two lines are not connected to external package pins. These signal lines are interconnected between the I/O pins and the RF transmitter and are listed in the following table.

I/O Port	RF Transmitter Part	Function	Description
PB2	SCL/PCLK	PB2	General purpose I/O
		SCL/PCLK	Clock input line in RF transmitter I <sup>2</sup> C mode/normal mode
PB3	SDA/DIN	PB3	General purpose I/O
		SDA/DIN	Data input line in RF transmitter I <sup>2</sup> C mode/normal mode

Note: The PB2~PB3 lines, which are internally connected to the RF transmitter clock and data inputs, SCL/PCLK and SDA/DIN, respectively should be properly configured to control the RF transmitter operations. Refer to the “Input/Output Ports” and “RF Transmitter” chapters for more details.

## Absolute Maximum Ratings

Supply Voltage .....	$V_{SS}-0.3V$ to $V_{SS}+3.6V$
Input Voltage (Digital).....	$V_{SS}-0.3V$ to $V_{DD}+0.3V$
Input Voltage (Analog).....	$V_{SS}-0.3V$ to 2.1V
Storage Temperature.....	-50°C to 125°C
Operating Temperature.....	-40°C to 85°C
*ESD HBM .....	±2kV

\* This RF transmitter is ESD sensitive. HBM (Human Body Mode) is based on the MIL-STD-883.

Note: These are stress ratings only. Stresses exceeding the range specified under "Absolute Maximum Ratings" may cause substantial damage to the devices. Functional operation of the devices at other conditions beyond those listed in the specification is not implied and prolonged exposure to extreme conditions may affect device reliability.

## D.C. Characteristics

Ta=25°C

Symbol	Parameter	Test Conditions		Min.	Typ.	Max.	Unit
		V <sub>DD</sub>	Conditions				
V <sub>DD</sub>	Operating Voltage — HIRC	—	f <sub>sys</sub> = 8MHz	2.2	—	3.6	V
I <sub>DD</sub>	Operating Current, Normal Mode, f <sub>H</sub> =8MHz (HIRC)	3V	No load, f <sub>sys</sub> =f <sub>H</sub> , WDT enable, LVR enable	—	1.0	2.0	mA
			No load, f <sub>sys</sub> =f <sub>H</sub> /2, WDT enable, LVR enable	—	1.0	1.5	mA
			No load, f <sub>sys</sub> =f <sub>H</sub> /4, WDT enable, LVR enable	—	0.9	1.3	mA
			No load, f <sub>sys</sub> =f <sub>H</sub> /8, WDT enable, LVR enable	—	0.8	1.1	mA
			No load, f <sub>sys</sub> =f <sub>H</sub> /16, WDT enable, LVR enable	—	0.7	1.0	mA
			No load, f <sub>sys</sub> =f <sub>H</sub> /32, WDT enable, LVR enable	—	0.6	0.9	mA
			No load, f <sub>sys</sub> =f <sub>H</sub> /64, WDT enable, LVR enable	—	0.5	0.8	mA
	Operating Current, Slow Mode, f <sub>sys</sub> =f <sub>L</sub> =LIRC	3V	No load, f <sub>sys</sub> =LIRC, WDT enable, LVR enable	—	20	30	μA

Symbol	Parameter	Test Conditions		Min.	Typ.	Max.	Unit
		V <sub>DD</sub>	Conditions				
I <sub>STB</sub>	SLEEP0 Mode Standby Current (LIRC off)	3V	No load, WDT disable, LVR disable	—	0.1	1.0	μA
	SLEEP1 Mode Standby Current (LIRC on)	3V	No load, WDT enable, LVR disable	—	1.3	3.0	μA
	IDLE0 Mode Standby Current (LIRC on)	3V	No load, WDT enable, LVR disable	—	1.3	3.0	μA
	IDLE1 Mode Standby Current (HIRC on)	3V	No load, WDT enable, f <sub>sys</sub> =8MHz on	—	0.8	1.6	mA
V <sub>IL</sub>	Input Low Voltage for I/O Ports or Input Pins except RES pin	—	—	0	—	0.2V <sub>DD</sub>	V
	Input Low Voltage ( $\overline{\text{RES}}$ )	—	—	0	—	0.4V <sub>DD</sub>	
V <sub>IH</sub>	Input High Voltage for I/O Ports or Input Pins except RES pin	—	—	0.8V <sub>DD</sub>	—	V <sub>DD</sub>	V
	Input High Voltage ( $\overline{\text{RES}}$ )	—	—	0.9V <sub>DD</sub>	—	V <sub>DD</sub>	
I <sub>OL</sub>	I/O Port Sink Current	3V	V <sub>OL</sub> =0.1V <sub>DD</sub>	18	36	—	mA
I <sub>OH</sub>	I/O Port Source Current	3V	V <sub>OL</sub> =0.9V <sub>DD</sub>	-3	-6	—	mA
R <sub>PH</sub>	Pull-high Resistance for I/O Ports	3V	—	20	60	100	kΩ
	Pull-high Resistance for OCDSCK, OCSDA Pins	3V	—	20	60	100	
I <sub>OCDS</sub>	Operating Current, Normal Mode, f <sub>sys</sub> =f <sub>H</sub> (HIRC)(for OCDS EV testing, connect to an e-Link)	3V	No load, f <sub>H</sub> =8MHz, WDT enable	—	1.4	2.0	mA

## A.C. Characteristics

T<sub>a</sub>=25°C, unless otherwise specified

Symbol	Parameter	Test Conditions		Min.	Typ.	Max.	Unit
		V <sub>DD</sub>	Conditions				
f <sub>CPU</sub>	Operating Clock	2.2V~3.6V	—	DC	—	8	MHz
f <sub>HIRC</sub>	System Clock (HIRC)	3V	T <sub>a</sub> =25°C	-2%	8	+2%	MHz
		3V	T <sub>a</sub> =0°C to 70°C	-5%	8	+5%	MHz
		2.2V~3.6V	T <sub>a</sub> =0°C to 70°C	-8%	8	+8%	MHz
		2.2V~3.6V	T <sub>a</sub> =-40°C to 85°C	-12%	8	+12%	MHz
f <sub>LIRC</sub>	System Clock (LIRC)	2.2V~3.6V	T <sub>a</sub> =-40°C to 85°C	8	32	50	kHz
t <sub>TIMER</sub>	xTCKn, xTPnI Input Pulse Width	—	—	0.3	—	—	μs
t <sub>RES</sub>	External Reset Low Pulse Width	—	—	10	—	—	μs
t <sub>INT</sub>	Interrupt Pulse Width	—	—	0.3	—	—	μs
t <sub>EERD</sub>	EEPROM Read Time	—	—	—	2	4	t <sub>sys</sub>
t <sub>EEWR</sub>	EEPROM Write Time	—	—	—	4	10	ms
t <sub>SST</sub>	System Start-up Timer Period (Wake-up from HALT state where f <sub>sys</sub> is off)	—	f <sub>sys</sub> =HIRC	16	—	—	t <sub>sys</sub>
		—	f <sub>sys</sub> =LIRC	2	—	—	
t <sub>RSTD</sub>	System Reset Delay Time (Power On Reset, LVR Reset, WDT S/W Reset(WDTC))	—	—	25	50	100	ms
	System Reset Delay Time (RES Reset, WDT Normal Reset)	—	—	8.3	16.7	33.3	ms

Note: 1. t<sub>sys</sub>=1/f<sub>sys</sub>

2. To maintain the accuracy of the internal HIRC oscillator frequency, a 0.1μF decoupling capacitor should be connected between V<sub>DD</sub> and V<sub>SS</sub> and located as close to the device as possible.

## LVD/LVR Electrical Characteristics

Ta=25°C

Symbol	Parameter	Test Conditions		Min.	Typ.	Max.	Unit
		V <sub>DD</sub>	Conditions				
V <sub>LVR</sub>	Low Voltage Reset Voltage	—	LVR Enable, 2.1V option	-5%	2.1	+5%	V
V <sub>LVD</sub>	Low Voltage Detector Voltage	—	ENLVD=1, V <sub>LVD</sub> =2.0V	-5%	2.0	+5%	V
			ENLVD=1, V <sub>LVD</sub> =2.2V		2.2		
			ENLVD=1, V <sub>LVD</sub> =2.4V		2.4		
			ENLVD=1, V <sub>LVD</sub> =2.7V		2.7		
			ENLVD=1, V <sub>LVD</sub> =3.0V		3.0		
			ENLVD=1, V <sub>LVD</sub> =3.3V		3.3		
			ENLVD=1, V <sub>LVD</sub> =3.6V		3.6		
			ENLVD=1, V <sub>LVD</sub> =4.0V		4.0		
t <sub>LVR</sub>	Low Voltage Width to Reset	—	—	160	320	640	μs
t <sub>LVDs</sub>	LVDO Stable Time	—	For LVR enable, LVD off→on	—	—	15	μs
		—	For LVR disable, LVD off→on	—	—	150	μs

## RF Characteristics

### D.C. Characteristics

Ta=25°C, V<sub>DDRF</sub>=3.3V, f<sub>XTAL</sub>=16MHz, OOK/FSK modulation with Matching circuit, PAOUT is powered by V<sub>DDRF</sub>=3.3V, unless otherwise noted

Symbol	Parameter	Test Conditions	Min.	Typ.	Max.	Unit
T <sub>OP</sub>	Operating Temperature	—	-40	—	85	°C
V <sub>DD</sub>	Supply Voltage	—	2.2	3.3	3.6	V
<b>Digital I/Os</b>						
V <sub>IH</sub>	High Level Input Voltage	—	0.7×V <sub>DD</sub>	—	V <sub>DD</sub>	V
V <sub>IL</sub>	Low Level Input Voltage	—	0	—	0.3×V <sub>DD</sub>	V
V <sub>OH</sub>	High Level Output Voltage	I <sub>OH</sub> =-5mA	0.8×V <sub>DD</sub>	—	V <sub>DD</sub>	V
V <sub>OL</sub>	Low Level Output Voltage	I <sub>OL</sub> =5mA	0	—	0.2×V <sub>DD</sub>	V
<b>Current Consumption</b>						
I <sub>Sleep</sub>	Deep Sleep Mode Current Consumption	—	—	0.4	1.0	μA
I <sub>Standby</sub>	Idle Mode Current Consumption	XTAL on, PA off, Synthesizer on	—	6.5	—	mA
I <sub>TX</sub>	High Data Current Consumption @ 315MHz (Data=1)	P <sub>RF</sub> =0dBm	—	11	—	mA
		P <sub>RF</sub> =10dBm	—	19	—	
		P <sub>RF</sub> =13dBm	—	24	—	
	High Data Current Consumption @ 433MHz (Data=1)	P <sub>RF</sub> =0dBm	—	11	—	mA
		P <sub>RF</sub> =10dBm	—	17	—	
		P <sub>RF</sub> =13dBm	—	24	—	
	High Data Current Consumption @ 868MHz (Data=1)	P <sub>RF</sub> =0dBm	—	11	—	mA
		P <sub>RF</sub> =10dBm	—	19	—	
		P <sub>RF</sub> =13dBm	—	24	—	
	High Data Current Consumption @ 915MHz (Data=1)	P <sub>RF</sub> =0dBm	—	12	—	mA
		P <sub>RF</sub> =10dBm	—	20	—	
		P <sub>RF</sub> =13dBm	—	25	—	

### A.C. Characteristics

Ta=25°C, V<sub>DDRF</sub>=3.3V, f<sub>XTAL</sub>=16MHz, OOK/FSK modulation with Matching circuit,  
PAOUT is powered by V<sub>DDRF</sub>=3.3V, unless otherwise noted

Symbol	Parameter	Test Conditions	Min.	Typ.	Max.	Unit
<b>Transmitter Characteristics</b>						
f <sub>RF</sub>	RF Frequency Band	315MHz band	—	315	—	MHz
		433MHz band	—	433.92	—	
		868MHz band	—	868.35	—	
		915MHz band	—	915	—	
SR	Symbol Rate	OOK modulation	0.5	—	25	Ksps
DR	Data Rate	FSK modulation (@ f <sub>DEV</sub> =12.5kHz)	0.5	—	50	Kbps
P <sub>RF</sub>	RF Transmit Output Power	433MHz band	0	—	13	dBm
		868MHz band	0	—	13	
t <sub>ST</sub>	RF Transmit Settling Time	Standby mode to Transmit mode	—	370	—	μs
ER <sub>OOK</sub>	OOK Extinction Ratio	OOK modulation depth	—	70	—	dB
f <sub>DEV</sub>	Frequency Deviation	FSK modulation (@ f <sub>XTAL</sub> =16MHz)	2	—	100	kHz
	Output Blanking	From Deep Sleep to Transmit mode	—	—	1	ms
	One Shot Delay Time	OOK/FSK	4	—	32	ms
S.E. <sub>TX</sub>	TX Spurious Emission (P <sub>RF</sub> =10dBm)	f < 1GHz	—	—	-36	dBm
		47MHz < f < 74MHz	—	—	-54	
		87.5MHz < f < 118MHz				
		174MHz < f < 230MHz				
		470MHz < f < 862MHz				
		2 <sup>nd</sup> , 3 <sup>rd</sup> Harmonic	—	—	-30	
<b>LO Characteristics</b>						
f <sub>LO</sub>	RF Frequency Coverage Range	315MHz band	290	—	335	MHz
		433MHz band	415	—	490	
		868MHz band	830	—	960	
f <sub>STEP</sub>	LO Frequency Resolution	—	—	—	1	kHz
PN <sub>LO</sub>	433MHz Phase Noise	@ 100kHz offset	—	-76	—	dBc/ Hz
		@ 1MHz offset	—	-104	—	
	868MHz Phase Noise	@ 100kHz offset	—	-70	—	
		@ 1MHz offset	—	-100	—	
<b>Crystal Oscillator</b>						
f <sub>XTAL</sub>	XTAL Frequency	—	—	16	—	MHz
ESR	XTAL Equivalent Series Resistance	—	—	—	100	Ω
C <sub>LOAD</sub>	XTAL Capacitor Load	—	—	16	—	pF
TOL (Note)	XTAL Tolerance	—	-20	—	+20	ppm
t <sub>SU</sub>	XTAL Startup Time	49US XO	—	—	1	ms

Note: 1. This is the total tolerance including (1) Initial tolerance (2) Crystal loading (3) Aging and (4) Temperature dependence.

2. The acceptable crystal tolerance depends on RF frequency and channel spacing/band width.

### I<sup>2</sup>C Characteristics

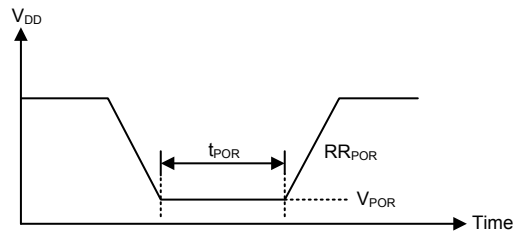
Ta=-40°C~85°C

Symbol	Parameter	Test Conditions	Min.	Typ.	Max.	Unit
<b>I<sup>2</sup>C Characteristics</b>						
f <sub>SCL</sub>	Serial Clock Frequency	—	—	—	1	MHz
t <sub>BUF</sub>	Bus Free Time between Stop and Start Condition	SCL=1MHz	250	—	—	ns
t <sub>LOW</sub>	SCL Low Time	SCL=1MHz	500	—	—	ns
t <sub>HIGH</sub>	SCL High Time	SCL=1MHz	500	—	—	ns
t <sub>su(DAT)</sub>	Data Setup Time	SCL=1MHz	100	—	—	ns
t <sub>su(STA)</sub>	Start Condition Setup Time	SCL=1MHz	250	—	—	ns
t <sub>su(STO)</sub>	Stop Condition Setup Time	SCL=1MHz	250	—	—	ns
t <sub>h(DAT)</sub>	Data Hold Time	SCL=1MHz	100	—	—	ns
t <sub>h(STA)</sub>	Start Condition Hold Time	SCL=1MHz	250	—	—	ns
t <sub>r(SCL)</sub>	Rise Time of SCL Signal	SCL=1MHz	—	—	100	ns
t <sub>f(SCL)</sub>	Fall Time of SCL Signal	SCL=1MHz	—	—	100	ns
t <sub>r(SDA)</sub>	Rise Time of SDA Signal	SCL=1MHz	—	—	100	ns
t <sub>f(SDA)</sub>	Fall Time of SDA Signal	SCL=1MHz	—	—	100	ns

### Power-on Reset Characteristics

Ta=25°C

Symbol	Parameter	Test Conditions		Min.	Typ.	Max.	Unit
		V <sub>DD</sub>	Conditions				
V <sub>POR</sub>	V <sub>DD</sub> Start Voltage to Ensure Power-on Reset	—	—	—	—	100	mV
RR <sub>POR</sub>	V <sub>DD</sub> Rising Rate to Ensure Power-on Reset	—	—	0.035	—	—	V/ms
t <sub>POR</sub>	Minimum Time for V <sub>DD</sub> Stays at V <sub>POR</sub> to Ensure Power-on Reset	—	—	1	—	—	ms

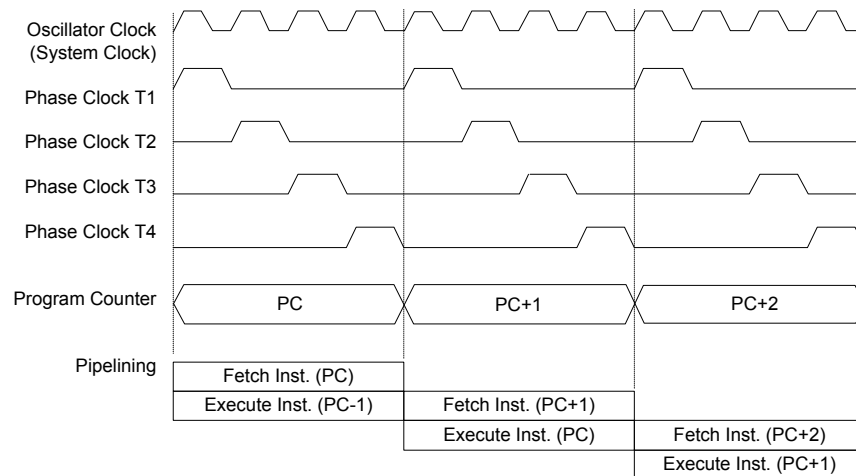


## System Architecture

A key factor in the high-performance features of the Holtek range of microcontrollers is attributed to their internal system architecture. The device takes advantage of the usual features found within RISC microcontrollers providing increased speed of operation and Periodic performance. The pipelining scheme is implemented in such a way that instruction fetching and instruction execution are overlapped, hence instructions are effectively executed in one cycle, with the exception of branch or call instructions. An 8-bit wide ALU is used in practically all instruction set operations, which carries out arithmetic operations, logic operations, rotation, increment, decrement, branch decisions, etc. The internal data path is simplified by moving data through the Accumulator and the ALU. Certain internal registers are implemented in the Data Memory and can be directly or indirectly addressed. The simple addressing methods of these registers along with additional architectural features ensure that a minimum of external components is required to provide a functional I/O control system with maximum reliability and flexibility. This makes the device suitable for low-cost, high-volume production for controller applications

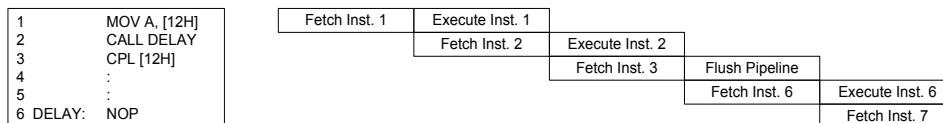
### Clocking and Pipelining

The main system clock, derived from either a HIRC or LIRC oscillator is subdivided into four internally generated non-overlapping clocks, T1~T4. The Program Counter is incremented at the beginning of the T1 clock during which time a new instruction is fetched. The remaining T2~T4 clocks carry out the decoding and execution functions. In this way, one T1~T4 clock cycle forms one instruction cycle. Although the fetching and execution of instructions takes place in consecutive instruction cycles, the pipelining structure of the microcontroller ensures that instructions are effectively executed in one instruction cycle. The exception to this are instructions where the contents of the Program Counter are changed, such as subroutine calls or jumps, in which case the instruction will take one more instruction cycle to execute.



**System Clock and Pipelining**

For instructions involving branches, such as jump or call instructions, two machine cycles are required to complete instruction execution. An extra cycle is required as the program takes one cycle to first obtain the actual jump or call address and then another cycle to actually execute the branch. The requirement for this extra cycle should be taken into account by programmers in timing sensitive applications.



**Instruction Fetching**

### Program Counter

During program execution, the Program Counter is used to keep track of the address of the next instruction to be executed. It is automatically incremented by one each time an instruction is executed except for instructions, such as "JMP" or "CALL" that demand a jump to a non-consecutive Program Memory address. Only the lower 8 bits, known as the Program Counter Low Register, are directly addressable by the application program.

When executing instructions requiring jumps to non-consecutive addresses such as a jump instruction, a subroutine call, interrupt or reset, etc., the microcontroller manages program control by loading the required address into the Program Counter. For conditional skip instructions, once the condition has been met, the next instruction, which has already been fetched during the present instruction execution, is discarded and a dummy cycle takes its place while the correct instruction is obtained.

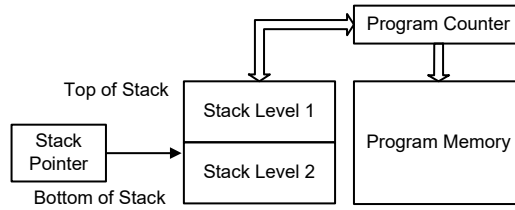
Program Counter	
Program Counter High Byte	PCL Register
PC9~PC8	PCL7~PCL0

The lower byte of the Program Counter, known as the Program Counter Low register or PCL, is available for program control and is a readable and writeable register. By transferring data directly into this register, a short program jump can be executed directly, however, as only this low byte is available for manipulation, the jumps are limited to the present page of memory, that is 256 locations. When such program jumps are executed it should also be noted that a dummy cycle will be inserted. Manipulating the PCL register may cause program branching, so an extra cycle is needed to pre-fetch.

### Stack

This is a special part of the memory which is used to save the contents of the Program Counter only. The stack has two levels is neither part of the data nor part of the program space, and is neither readable nor writeable. The activated level is indexed by the Stack Pointer, and is neither readable nor writeable. At a subroutine call or interrupt acknowledge signal, the contents of the Program Counter are pushed onto the stack. At the end of a subroutine or an interrupt routine, signaled by a return instruction, RET or RETI, the Program Counter is restored to its previous value from the stack. After a device reset, the Stack Pointer will point to the top of the stack.

If the stack is full and an enabled interrupt takes place, the interrupt request flag will be recorded but the acknowledge signal will be inhibited. When the Stack Pointer is decremented, by RET or RETI, the interrupt will be serviced. This feature prevents stack overflow allowing the programmer to use the structure more easily. However, when the stack is full, a CALL subroutine instruction can still be executed which will result in a stack overflow. Precautions should be taken to avoid such cases which might cause unpredictable program branching. If the stack is overflow, the first Program Counter save in the stack will be lost.



### Arithmetic and Logic Unit – ALU

The arithmetic-logic unit or ALU is a critical area of the microcontroller that carries out arithmetic and logic operations of the instruction set. Connected to the main microcontroller data bus, the ALU receives related instruction codes and performs the required arithmetic or logical operations after which the result will be placed in the specified register. As these ALU calculation or operations may result in carry, borrow or other status changes, the status register will be correspondingly updated to reflect these changes. The ALU supports the following functions:

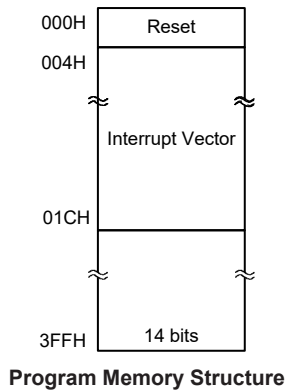
- Arithmetic operations: ADD, ADDM, ADC, ADCM, SUB, SUBM, SBC, SBCM, DAA
- Logic operations: AND, OR, XOR, ANDM, ORM, XORM, CPL, CPLA
- Rotation: RRA, RR, RRCA, RRC, RLA, RL, RLCA, RLC
- Increment and Decrement: INCA, INC, DECA, DEC
- Branch decision: JMP, SZ, SZA, SNZ, SIZ, SDZ, SIZA, SDZA, CALL, RET, RETI

### Flash Program Memory

The Program Memory is the location where the user code or program is stored. For the device the Program Memory is Flash type, which means it can be programmed and re-programmed a large number of times, allowing the user the convenience of code modification on the same device. By using the appropriate programming tools, the Flash device offers users the flexibility to conveniently debug and develop their applications while also offering a means of field programming and updating.

#### Structure

The Program Memory has a capacity of 1K×14 bits. The Program Memory is addressed by the Program Counter and also contains data, table information and interrupt entries. Table data, which can be setup in any location within the Program Memory, is addressed by a separate table pointer register.





## Special Vectors

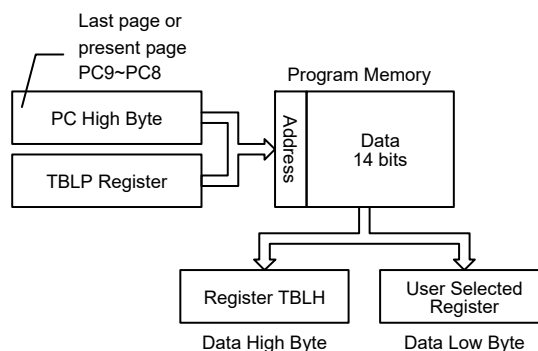
Within the Program Memory, certain locations are reserved for the reset and interrupts. The location 000H is reserved for use by the devices reset for program initialisation. After a device reset is initiated, the program will jump to this location and begin execution.

## Look-up Table

Any location within the Program Memory can be defined as a look-up table where programmers can store fixed data. To use the look-up table, the table pointer must first be setup by placing the address of the look up data to be retrieved in the table pointer register, TBLP. This register defines the total address of the look-up table.

After setting up the table pointer, the table data can be retrieved from the Program Memory using the "TABRDC[m]" or "TABRDL[m]" instructions, respectively. When the instruction is executed, the lower order table byte from the Program Memory will be transferred to the user defined Data Memory register [m] as specified in the instruction. The higher order table data byte from the Program Memory will be transferred to the TBLH special register. Any unused bits in this transferred higher order byte will be read as "0".

The accompanying diagram illustrates the addressing data flow of the look-up table.



## Table Program Example

The following example shows how the table pointer and table data is defined and retrieved from the microcontroller. This example uses raw table data located in the Program Memory which is stored there using the ORG statement. The value at this ORG statement is "300H" which refers to the start address of the last page within the 1K words Program Memory of the device. The table pointer is setup here to have an initial value of "06H". This will ensure that the first data read from the data table will be at the Program Memory address "306H" or 6 locations after the start of the last page. Note that the value for the table pointer is referenced to the first address of the last page if the "TABRDL [m]" instruction is being used. The high byte of the table data which in this case is equal to zero will be transferred to the TBLH register automatically when the "TABRDL [m]" instruction is executed.

Because the TBLH register is a read-only register and cannot be restored, care should be taken to ensure its protection if both the main routine and Interrupt Service Routine use table read instructions. If using the table read instructions, the Interrupt Service Routines may change the value of the TBLH and subsequently cause errors if used again by the main routine. As a rule it is recommended that simultaneous use of the table read instructions should be avoided. However, in situations where simultaneous use cannot be avoided, the interrupts should be disabled prior to the execution of any main routine table-read instructions. Note that all table related instructions require two instruction cycles to complete their operation.

**Table Read Program Example**

```

tempreg1 db ?      ; temporary register #1
tempreg2 db ?      ; temporary register #2
:
:
mov a,06h          ; initialise low table pointer - note that this address is referenced
mov tblp,a        ; to the last page or present page
:
:
tabrdl tempreg1    ; transfers value in table referenced by table pointer data at program
                  ; memory address "306H" transferred to tempreg1 and TBLH
dec tblp           ; reduce value of table pointer by one
tabrdl tempreg2    ; transfers value in table referenced by table pointer data at program
                  ; memory address "305H" transferred to tempreg2 and TBLH in this
                  ; example the data "1AH" is transferred to tempreg1 and data "0FH" to
                  ; register tempreg2
:
:
org 300h           ; sets initial address of program memory
dc 00Ah, 00Bh, 00Ch, 00Dh, 00Eh, 00Fh, 01Ah, 01Bh
:
:

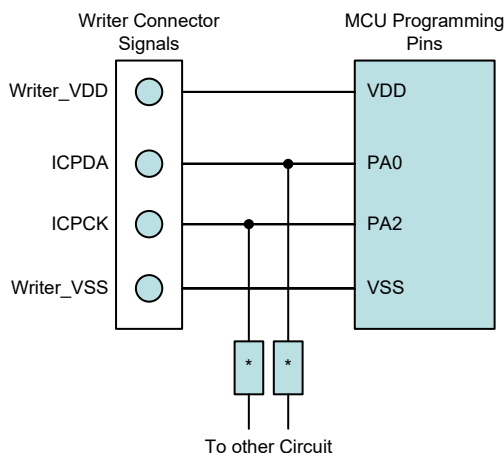
```

**In Circuit Programming – ICP**

The provision of Flash type Program Memory provides the user with a means of convenient and easy upgrades and modifications to their programs on the same device. As an additional convenience, Holtek has provided a means of programming the microcontroller in-circuit using a 4-pin interface. This provides manufacturers with the possibility of manufacturing their circuit boards complete with a programmed or un-programmed microcontroller, and then programming or upgrading the program at a later stage. This enables product manufacturers to easily keep their manufactured products supplied with the latest program releases without removal and re-insertion of the device.

Holtek Write Pins	MCU Programming Pins	Function
ICPDA	PA0	Programming Serial Data
ICPCK	PA2	Programming Serial Clock
VDD	VDD	Power Supply
VSS	VSS	Ground

The Program Memory can be programmed serially in-circuit using this 4-wire interface. Data is downloaded and uploaded serially on a single pin with an additional line for the clock. Two additional lines are required for the power supply and ground. The technical details regarding the in-circuit programming of the device are beyond the scope of this document and will be supplied in supplementary literature.



Note: \* may be resistor or capacitor. The resistance of \* must be greater than 1k $\Omega$  or the capacitance of \* must be less than 1nF.

### On-Chip Debug Support – OCDS

There is an EV chip which is used to emulate the real device. This EV chip device also provides an "On-Chip Debug" function to debug the device during the development process. The EV chip and the actual MCU device are almost functionally compatible except for the "On-Chip Debug" function. Users can use the EV chip device to emulate the real chip device behavior by connecting the OCSDA and OCDSCK pins to the Holtek HT-IDE development tools. The OCSDA pin is the OCDS Data/Address input/output pin while the OCDSCK pin is the OCDS clock input pin. When users use the EV chip for debugging, other functions which are shared with the OCSDA and OCDSCK pins in the device will have no effect in the EV chip. However, the two OCDS pins which are pin-shared with the ICP programming pins are still used as the Flash Memory programming pins for ICP. For more detailed OCDS information, refer to the corresponding document named "Holtek e-Link for 8-bit MCU OCDS User's Guide".

Holtek e-Link Pins	EV Chip Pins	Pin Description
OCSDA	OCSDA	On-chip Debug Support Data/Address input/output
OCDSCK	OCDSCK	On-chip Debug Support Clock input
VDD	VDD	Power Supply
GND	VSS	Ground

## Data Memory

The Data Memory is a volatile area of 8-bit wide RAM internal memory and is the location where temporary information is stored.

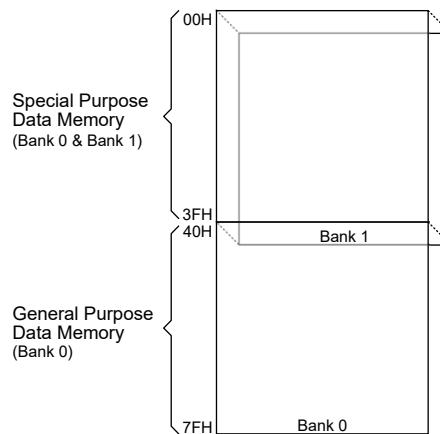
### Structure

Divided into two sections, the first of these is an area of RAM, known as the Special Function Data Memory. Here are located registers which are necessary for correct operation of the device. Many of these registers can be read from and written to directly under program control, however, some remain protected from user manipulation. The second area of Data Memory is known as the General Purpose Data Memory, which is reserved for general purpose use. All locations within this area are read and write accessible under program control.

The overall Data Memory is subdivided into two banks. The Special Purpose Data Memory registers are accessible in all banks, with the exception of the EEC register at address 40H, which is only accessible in Bank 1. Switching between the different Data Memory banks is achieved by setting the Bank Pointer to the correct value. The start address of the Data Memory is the address 00H.

MCU Special Purpose Data Memory	MCU General Purpose Data Memory	
Located Banks	Capacity	Address
0, 1	64×8	Bank 0: 40H~7FH

**Data Memory Summary**



**Data Memory Structure**

### General Purpose Data Memory

There is a 64 byte general purpose data memory which is arranged in Bank 0. All microcontroller programs require an area of read/write memory where temporary data can be stored and retrieved for use later. It is this area of RAM memory that is known as General Purpose Data Memory. This area of Data Memory is fully accessible by the user programming for both reading and writing operations. By using the bit operation instructions individual bits can be set or reset under program control giving the user a large range of flexibility for bit manipulation in the Data Memory.

### Special Purpose Data Memory

This area of Data Memory is where registers, necessary for the correct operation of the microcontroller, are stored. Most of the registers are both readable and writeable but some are protected and are readable only, the details of which are located under the relevant Special Function Register section. Note that for locations that are unused, any read instruction to these addresses will return the value "00H".

Bank0 & Bank1		Bank0 & Bank1		
00H	IAR0	20H	[Unused]	
01H	MP0	21H		
02H	IAR1	22H		
03H	MP1	23H		
04H	BP	24H		
05H	ACC	25H		RSTC
06H	PCL	26H		PASR
07H	TBLP	27H		PBSR
08H	TBLH	28H		STM0C0
09H	[Unused]	29H		STM0C1
0AH	STATUS	2AH	STM0DL	
0BH	SMOD	2BH	STM0DH	
0CH	LVDC	2CH	STM0AL	
0DH	INTEG	2DH	STM0AH	
0EH	INTC0	2EH	[Unused]	
0FH	INTC1	2FH	PB	
10H	[Unused]	30H	PBC	
11H	MFI0	31H	PBPU	
12H	MFI1	32H	PTM1C0	
13H	[Unused]	33H	PTM1C1	
14H	PA	34H	PTM1DL	
15H	PAC	35H	PTM1DH	
16H	PAPU	36H	PTM1AL	
17H	PAWU	37H	PTM1AH	
18H	IFS0	38H	PTM1RPL	
19H	WDTC	39H	PTM1RPH	
1AH	[Unused]	3AH	[Unused]	
1BH	TBC	3BH		
1CH	SMOD1	3CH		
1DH	[Unused]	3DH		
1EH	EEA	3EH		
1FH	EED	3FH		
		40H		EEC

[Unused] : Unused, read as "00"

**Special Purpose Data Memory Structure**

## Special Function Register Description

Most of the Special Function Register details will be described in their relevant functional section, however several registers require a separate description in this section.

### Indirect Addressing Registers – IAR0, IAR1

The Indirect Addressing Registers, IAR0 and IAR1, although having their locations in normal Data Memory register space, do not actually physically exist as normal registers. The method of indirect addressing for RAM data manipulation uses these Indirect Addressing Registers and Memory Pointers, in contrast to direct memory addressing, where the actual memory address is specified. Actions on the IAR0 and IAR1 registers will result in no actual read or write operation to these registers but rather to the memory location specified by their corresponding Memory Pointers, MP0 or MP1. Acting as a pair, IAR0 and MP0 can together access data from Bank 0 while the IAR1 and MP1 register pair can access data from any bank. As the Indirect Addressing Registers are not physically implemented, reading the Indirect Addressing Registers indirectly will return a result of "00H" and writing to the registers indirectly will result in no operation.

### Memory Pointers – MP0, MP1

Two Memory Pointers, known as MP0 and MP1 are provided. These Memory Pointers are physically implemented in the Data Memory and can be manipulated in the same way as normal registers providing a convenient way with which to address and track data. When any operation to the relevant Indirect Addressing Registers is carried out, the actual address that the microcontroller is directed to is the address specified by the related Memory Pointer. MP0, together with Indirect Addressing Register, IAR0, are used to access data from Bank 0, while MP1 and IAR1 are used to access data from all banks according to BP register. Direct Addressing can only be used with Bank 0, all other Banks must be addressed indirectly using MP1 and IAR1.

The following example shows how to clear a section of four Data Memory locations already defined as locations `adres1` to `adres4`.

### Indirect Addressing Program Example

```
data .section 'data'
adres1 db ?
adres2 db ?
adres3 db ?
adres4 db ?
block db ?
code .section at 0 'code'
org 00h
start:
    mov a,04h           ; setup size of block
    mov block,a
    mov a,offset adres1 ; Accumulator loaded with first RAM address
    mov mp0,a          ; setup memory pointer with first RAM address
loop:
    clr IAR0           ; clear the data at address defined by mp0
    inc mp0            ; increment memory pointer
    sdz block          ; check if last memory location has been cleared
    jmp loop
continue:
```

The important point to note here is that in the example shown above, no reference is made to specific Data Memory addresses.

### Bank Pointer – BP

For this device, the Data Memory is divided into two banks, Bank0 and Bank1. Selecting the required Data Memory area is achieved using the Bank Pointer. Bit 0 of the Bank Pointer is used to select Data Memory Banks 0~1.

The Data Memory is initialised to Bank 0 after a reset, except for a WDT time-out reset in the IDLE or SLEEP Mode, in which case, the Data Memory bank remains unaffected. It should be noted that the Special Function Data Memory is not affected by the bank selection, which means that the Special Function Registers can be accessed from within any bank. Directly addressing the Data Memory will always result in Bank 0 being accessed irrespective of the value of the Bank Pointer. Accessing data from Bank1 must be implemented using Indirect Addressing.

#### • BP Register

Bit	7	6	5	4	3	2	1	0
Name	—	—	—	—	—	—	—	DMBP0
R/W	—	—	—	—	—	—	—	R/W
POR	—	—	—	—	—	—	—	0

Bit 7~1 Unimplemented, read as "0"

Bit 0 **DMBP0**: Select Data Memory Bank  
 0: Bank 0  
 1: Bank 1

### Accumulator – ACC

The Accumulator is central to the operation of any microcontroller and is closely related with operations carried out by the ALU. The Accumulator is the place where all intermediate results from the ALU are stored. Without the Accumulator it would be necessary to write the result of each calculation or logical operation such as addition, subtraction, shift, etc., to the Data Memory resulting in higher programming and timing overheads. Data transfer operations usually involve the temporary storage function of the Accumulator; for example, when transferring data between one user-defined register and another, it is necessary to do this by passing the data through the Accumulator as no direct transfer between two registers is permitted.

### Program Counter Low Register – PCL

To provide additional program control functions, the low byte of the Program Counter is made accessible to programmers by locating it within the Special Purpose area of the Data Memory. By manipulating this register, direct jumps to other program locations are easily implemented. Loading a value directly into this PCL register will cause a jump to the specified Program Memory location, however, as the register is only 8-bit wide, only jumps within the current Program Memory page are permitted. When such operations are used, note that a dummy cycle will be inserted.

### Look-up Table Registers – TBLP, TBLH

These two special function registers are used to control operation of the look-up table which is stored in the Program Memory. TBLP is the table pointer and indicate the location where the table data is located. Its value must be setup before any table read commands are executed. Its value can be changed, for example using the "INC" or "DEC" instructions, allowing for easy table data pointing and reading. TBLH is the location where the high order byte of the table data is stored after a table read data instruction has been executed. Note that the lower order table data byte is transferred to a user defined location.

## Status Register – STATUS

This 8-bit register contains the zero flag (Z), carry flag (C), auxiliary carry flag (AC), overflow flag (OV), power down flag (PDF), and watchdog time-out flag (TO). These arithmetic/logical operation and system management flags are used to record the status and operation of the microcontroller.

With the exception of the TO and PDF flags, bits in the status register can be altered by instructions like most other registers. Any data written into the status register will not change the TO or PDF flag. In addition, operations related to the status register may give different results due to the different instruction operations. The TO flag can be affected only by a system power-up, a WDT time-out or by executing the "CLR WDT" or "HALT" instruction. The PDF flag is affected only by executing the "HALT" or "CLR WDT" instruction or during a system power-up.

The Z, OV, AC and C flags generally reflect the status of the latest operations.

- C is set if an operation results in a carry during an addition operation or if a borrow does not take place during a subtraction operation; otherwise C is cleared. C is also affected by a rotate through carry instruction.
- AC is set if an operation results in a carry out of the low nibbles in addition, or no borrow from the high nibble into the low nibble in subtraction; otherwise AC is cleared.
- Z is set if the result of an arithmetic or logical operation is zero; otherwise Z is cleared.
- OV is set if an operation results in a carry into the highest-order bit but not a carry out of the highest-order bit, or vice versa; otherwise OV is cleared.
- PDF is cleared by a system power-up or executing the "CLR WDT" instruction. PDF is set by executing the "HALT" instruction.
- TO is cleared by a system power-up or executing the "CLR WDT" or "HALT" instruction. TO is set by a WDT time-out.

In addition, on entering an interrupt sequence or executing a subroutine call, the status register will not be pushed onto the stack automatically. If the contents of the status registers are important and if the subroutine can corrupt the status register, precautions must be taken to correctly save it.



• **STATUS Register**

Bit	7	6	5	4	3	2	1	0
Name	—	—	TO	PDF	OV	Z	AC	C
R/W	—	—	R	R	R/W	R/W	R/W	R/W
POR	—	—	0	0	x	x	x	x

"x": unknown

- Bit 7~6      Unimplemented, read as "0"
- Bit 5        **TO**: Watchdog Time-out flag  
               0: After power up or executing the "CLR WDT" or "HALT" instruction  
               1: A watchdog time-out occurred.
- Bit 4        **PDF**: Power down flag  
               0: After power up or executing the "CLR WDT" instruction  
               1: By executing the "HALT" instruction
- Bit 3        **OV**: Overflow flag  
               0: No overflow  
               1: An operation results in a carry into the highest-order bit but not a carry out of the highest-order bit or vice versa.
- Bit 2        **Z**: Zero flag  
               0: The result of an arithmetic or logical operation is not zero  
               1: The result of an arithmetic or logical operation is zero
- Bit 1        **AC**: Auxiliary flag  
               0: No auxiliary carry  
               1: An operation results in a carry out of the low nibbles in addition, or no borrow from the high nibble into the low nibble in subtraction
- Bit 0        **C**: Carry flag  
               0: No carry-out  
               1: An operation results in a carry during an addition operation or if a borrow does not take place during a subtraction operation  
               The "C" flag is also affected by a rotate through carry instruction.

## EEPROM Data Memory

This device contains an area of internal EEPROM Data Memory. EEPROM, is by its nature a non-volatile form of re-programmable memory, with data retention even when its power supply is removed. By incorporating this kind of data memory, a whole new host of application possibilities are made available to the designer. The availability of EEPROM storage allows information such as product identification numbers, calibration values, specific user data, system setup data or other product information to be stored directly within the product microcontroller. The process of reading and writing data to the EEPROM memory has been reduced to a very trivial affair.

### EEPROM Data Memory Structure

The EEPROM Data Memory capacity is 32×8 bits for the device. Unlike the Program Memory and RAM Data Memory, the EEPROM Data Memory is not directly mapped into memory space and is therefore not directly addressable in the same way as the other types of memory. Read and Write operations to the EEPROM are carried out in single byte operations using an address and a data register in Bank 0 and a single control register in Bank 1.

### EEPROM Registers

Three registers control the overall operation of the internal EEPROM Data Memory. These are the address registers, EEA, the data register, EED and a single control register, EEC. As both the EEA and EED registers are located in Bank 0, they can be directly accessed in the same way as any other Special Function Register. The EEC register however, being located in Bank1, cannot be directly addressed and can only be read from or written to indirectly using the MP1 Memory Pointer and Indirect Addressing Register, IAR1. Because the EEC control register is located at address 40H in Bank 1, the MP1 Memory Pointer must first be set to the value 40H and the Bank Pointer register, BP, set to the value, 01H, before any operations on the EEC register are executed.

Register Name	Bit							
	7	6	5	4	3	2	1	0
EEA	—	—	—	EEA4	EEA3	EEA2	EEA1	EEA0
EED	D7	D6	D5	D4	D3	D2	D1	D0
EEC	—	—	—	—	WREN	WR	RDEN	RD

**EEPROM Register List**

#### • EEA Register

Bit	7	6	5	4	3	2	1	0
Name	—	—	—	EEA4	EEA3	EEA2	EEA1	EEA0
R/W	—	—	—	R/W	R/W	R/W	R/W	R/W
POR	—	—	—	0	0	0	0	0

Bit 7~5 Unimplemented, read as "0"

Bit 4~0 **EEA4~EEA0**: Data EEPROM address bit 4 ~ bit 0

• **EED Register**

Bit	7	6	5	4	3	2	1	0
Name	D7	D6	D5	D4	D3	D2	D1	D0
R/W	R/W	R/W	R/W	R/W	R/W	R/W	R/W	R/W
POR	0	0	0	0	0	0	0	0

Bit 7~0      D7~D0: Data EEPROM data bit 7 ~ bit 0

• **EEC Register**

Bit	7	6	5	4	3	2	1	0
Name	—	—	—	—	WREN	WR	RDEN	RD
R/W	—	—	—	—	R/W	R/W	R/W	R/W
POR	—	—	—	—	0	0	0	0

Bit 7~4      Unimplemented, read as "0"

Bit 3      **WREN**: Data EEPROM Write Enable  
 0: Disable  
 1: Enable

This is the Data EEPROM Write Enable Bit which must be set high before Data EEPROM write operations are carried out. Clearing this bit to zero will inhibit Data EEPROM write operations.

Bit 2      **WR**: EEPROM Write Control  
 0: Write cycle has finished  
 1: Activate a write cycle

This is the Data EEPROM Write Control Bit and when set high by the application program will activate a write cycle. This bit will be automatically reset to zero by the hardware after the write cycle has finished. Setting this bit high will have no effect if the WREN has not first been set high.

Bit 1      **RDEN**: Data EEPROM Read Enable  
 0: Disable  
 1: Enable

This is the Data EEPROM Read Enable Bit which must be set high before Data EEPROM read operations are carried out. Clearing this bit to zero will inhibit Data EEPROM read operations.

Bit 0      **RD**: EEPROM Read Control  
 0: Read cycle has finished  
 1: Activate a read cycle

This is the Data EEPROM Read Control Bit and when set high by the application program will activate a read cycle. This bit will be automatically reset to zero by the hardware after the read cycle has finished. Setting this bit high will have no effect if the RDEN has not first been set high.

Note: 1. The WREN, WR, RDEN and RD cannot be set high at the same time in one instruction. The WR and RD cannot be set high at the same time.

2. Ensure that the  $f_{LIRC}$  clock is stable before executing the write operation.

3. Ensure that the write operation is totally complete before changing the contents of the EEPROM related registers.

### Reading Data from the EEPROM

To read data from the EEPROM, the read enable bit, RDEN, in the EEC register must first be set high to enable the read function. The EEPROM address of the data to be read must then be placed in the EEA register. If the RD bit in the EEC register is now set high, a read cycle will be initiated. Setting the RD bit high will not initiate a read operation if the RDEN bit has not been set. When the read cycle terminates, the RD bit will be automatically cleared to zero, after which the data can be read from the EED register. The data will remain in the EED register until another read or write operation is executed. The application program can poll the RD bit to determine when the data is valid for reading.

### Writing Data to the EEPROM

The EEPROM address of the data to be written must first be placed in the EEA register and the data placed in the EED register. To write data to the EEPROM, the write enable bit, WREN, in the EEC register must first be set high to enable the write function. After this, the WR bit in the EEC register must be immediately set high to initiate a write cycle. These two instructions must be executed in two consecutive instruction cycles. The global interrupt bit EMI should also first be cleared before implementing any write operations, and then set again after the write cycle has started. Note that setting the WR bit high will not initiate a write cycle if the WREN bit has not been set. As the EEPROM write cycle is controlled using an internal timer whose operation is asynchronous to microcontroller system clock, a certain time will elapse before the data will have been written into the EEPROM. Detecting when the write cycle has finished can be implemented either by polling the WR bit in the EEC register or by using the EEPROM interrupt. When the write cycle terminates, the WR bit will be automatically cleared to zero by the microcontroller, informing the user that the data has been written to the EEPROM. The application program can therefore poll the WR bit to determine when the write cycle has ended.

### Write Protection

Protection against inadvertent write operation is provided in several ways. After the device is powered-on the Write Enable bit in the control register will be cleared preventing any write operations. Also at power-on the Bank Pointer, BP, will be reset to zero, which means that Data Memory Bank 0 will be selected. As the EEPROM control register is located in Bank 1, this adds a further measure of protection against spurious write operations. During normal program operation, ensuring that the Write Enable bit in the control register is cleared will safeguard against incorrect write operations.

### EEPROM Interrupt

The EEPROM write interrupt is generated when an EEPROM write cycle has ended. The EEPROM interrupt must first be enabled by setting the DEE bit in the relevant interrupt register. When an EEPROM write cycle ends, the DEF request flag will be set. If the global and EEPROM interrupt are enabled and the stack is not full, a jump to the EEPROM Interrupt vector will take place. When the EEPROM interrupt is serviced, the EEPROM interrupt flag will be automatically reset. More details can be obtained in the Interrupt section.

## Programming Considerations

Care must be taken that data is not inadvertently written to the EEPROM. Protection can be enhanced by ensuring that the Write Enable bit is normally cleared to zero when not writing. Also the Bank Pointer could be normally cleared to zero as this would inhibit access to Bank 1 where the EEPROM control register exists. Although certainly not necessary, consideration might be given in the application program to the checking of the validity of new write data by a simple read back process.

When writing data the WR bit must be set high immediately after the WREN bit has been set high, to ensure the write cycle executes correctly. The global interrupt bit EMI should also be cleared before a write cycle is executed and then re-enabled after the write cycle starts. Note that the device should not enter the IDLE or SLEEP mode until the EEPROM read or write operation is totally complete. Otherwise, the EEPROM read or write operation will fail.

## Programming Examples

### Reading data from the EEPROM – polling method

```
MOV A, EEPROM_ADRES      ; user defined address
MOV EEA, A
MOV A, 040H              ; setup memory pointer MP1
MOV MP1, A               ; MP1 points to EEC register
MOV A, 01H               ; setup Bank Pointer
MOV BP, A
SET IAR1.1               ; set RDEN bit, enable read operations
SET IAR1.0               ; start Read Cycle - set RD bit
BACK:
SZ IAR1.0                ; check for read cycle end
JMP BACK
CLR IAR1                  ; disable EEPROM read if no more read operations are required
CLR BP
MOV A, EED                ; move read data to register
MOV READ_DATA, A
```

Note: For each read operation, the address register should be re-specified followed by setting the RD bit high to activate a read cycle even if the target address is consecutive.

### Writing Data to the EEPROM – polling method

```
MOV A, EEPROM_ADRES      ; user defined address
MOV EEA, A
MOV A, EEPROM_DATA       ; user defined data
MOV EED, A
MOV A, 040H              ; setup memory pointer MP1
MOV MP1, A               ; MP1 points to EEC register
MOV A, 01H               ; setup Bank Pointer
MOV BP, A
CLR EMI
SET IAR1.3               ; set WREN bit, enable write operations
SET IAR1.2               ; start Write Cycle - set WR bit- executed immediately after
                        ; set WREN bit

SET EMI
BACK:
SZ IAR1.2                ; check for write cycle end
JMP BACK
CLR BP
```

## Oscillators

Various oscillator options offer the user a wide range of functions according to their various application requirements. The flexible features of the oscillator functions ensure that the best optimisation can be achieved in terms of speed and power saving. Oscillator selections and operation are selected through registers.

### Oscillator Overview

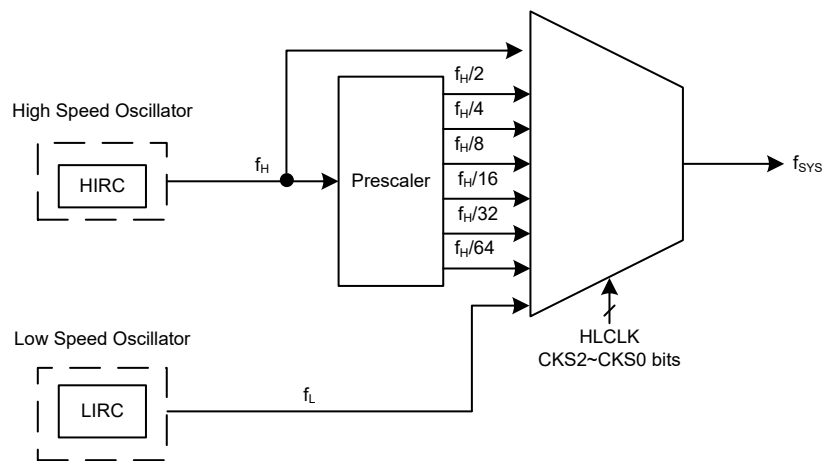
In addition to being the source of the main system clock the oscillators also provide clock sources for the Watchdog Timer and Time Base Interrupts. Two fully integrated internal oscillators, requiring no external components, are provided to form a wide range of both fast and slow system oscillators. The higher frequency oscillator provides higher performance but carry with it the disadvantage of higher power requirements, while the opposite is of course true for the lower frequency oscillator. With the capability of dynamically switching between fast and slow system clock, these devices have the flexibility to optimize the performance/power ratio, a feature especially important in power sensitive portable applications.

Type	Name	Freq.
Internal High Speed RC	HIRC	8MHz
Internal Low Speed RC	LIRC	32kHz

Oscillator Types

### System Clock Configurations

There are two methods of generating the system clock, a high speed oscillator and a low speed oscillator. The high speed oscillator is the internal 8MHz RC oscillator. The low speed oscillator is the internal 32kHz RC oscillator. Selecting whether the low or high speed oscillator is used as the system oscillator is implemented using the HLCLK bit and CKS2~CKS0 bits in the SMOD register and as the system clock can be dynamically selected.



System Clock Configurations

### **Internal RC Oscillator – HIRC**

The internal RC oscillator is a fully integrated system oscillator requiring no external components. The internal RC oscillator has a fixed frequency of 8MHz. Device trimming during the manufacturing process and the inclusion of internal frequency compensation circuits are used to ensure that the influence of the power supply voltage, temperature and process variations on the oscillation frequency are minimised.

### **Internal 32kHz Oscillator – LIRC**

The internal 32kHz System Oscillator is the low frequency oscillator. It is a fully integrated RC oscillator with a typical frequency of 32kHz, requiring no external components for its implementation. Device trimming during the manufacturing process and the inclusion of internal frequency compensation circuits are used to ensure that the influence of the power supply voltage, temperature and process variations on the oscillation frequency are minimised.

### **Supplementary Oscillator**

The low speed oscillator, in addition to providing a system clock source is also used to provide a clock source to two other device functions. These are the Watchdog Timer and the Time Base Interrupts.

## **Operating Modes and System Clocks**

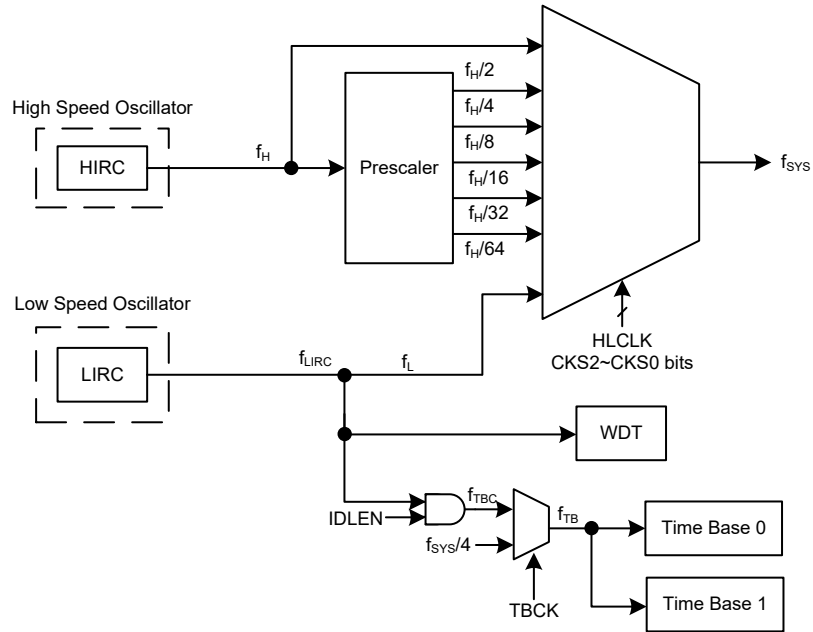
Present day applications require that their microcontrollers have high performance but often still demand that they consume as little power as possible, conflicting requirements that are especially true in battery powered portable applications. The fast clocks required for high performance will by their nature increase current consumption and of course vice-versa, lower speed clocks reduce current consumption. As Holtek has provided the device with both high and low speed clock sources and the means to switch between them dynamically, the user can optimise the operation of their microcontroller to achieve the best performance/power ratio.

### **System Clocks**

The device has two different clock sources for both the CPU and peripheral function operation. By providing the user with clock options using register programming, a clock system can be configured to obtain maximum application performance.

The main system clock, can come from either a high frequency,  $f_H$ , or a low frequency,  $f_L$ , and is selected using the HLCLK bit and CKS2~CKS0 bits in the SMOD register. The high speed system clock can be sourced from HIRC oscillator. The low speed system clock source can be sourced from the internal clock  $f_L$ . The other choice, which is a divided version of the high speed system oscillator has a range of  $f_H/2 \sim f_H/64$ .

There is one additional internal clock for the peripheral circuits, the Time Base clock,  $f_{TBC}$ .  $f_{TBC}$  is sourced from the LIRC oscillators. The  $f_{TBC}$  clock is used as a source for the Time Base interrupt functions and for the TMs.



**Device Clock Configurations**

Note: When the system clock source  $f_{sys}$  is switched to  $f_L$  from  $f_H$ , the high speed oscillator will stop to conserve the power. Thus there is no  $f_H \sim f_H/64$  for peripheral circuit to use.

### System Operation Modes

There are six different modes of operation for the microcontroller, each one with its own special characteristics and which can be chosen according to the specific performance and power requirements of the application. There are two modes allowing normal operation of the microcontroller, the NORMAL Mode and SLOW Mode. The remaining four modes, the SLEEP0, SLEEP1, IDLE0 and IDLE1 mode are used when the microcontroller CPU is switched off to conserve power.

Operating Mode	Description			
	CPU	$f_{sys}$	$f_{LIRC}$	$f_{TBC}$
NORMAL mode	On	$f_H \sim f_H/64$	On	On
SLOW mode	On	$f_L$	On	On
IDLE0 mode	Off	Off	On	On
IDLE1 mode	Off	On	On	On
SLEEP0 mode	Off	Off	Off	Off
SLEEP1 mode	Off	Off	On	Off

#### NORMAL Mode

As the name suggests this is one of the main operating modes where the microcontroller has all of its functions operational and where the system clock is provided the high speed oscillator. This mode operates allowing the microcontroller to operate normally with a clock source will come from the high speed oscillator HIRC. The high speed oscillator will however first be divided by a ratio ranging from 1 to 64, the actual ratio being selected by the CKS2~CKS0 and HLCLK bits in the SMOD register. Although a high speed oscillator is used, running the microcontroller at a divided clock ratio reduces the operating current.



### SLOW Mode

This is also a mode where the microcontroller operates normally although now with a slower speed clock source. The clock source used will be from the low speed oscillator LIRC. Running the microcontroller in this mode allows it to run with much lower operating currents. In the SLOW Mode, the  $f_H$  is off.

### SLEEP0 Mode

The SLEEP Mode is entered when an HALT instruction is executed and when the IDLEN bit in the SMOD register is low. In the SLEEP0 mode the CPU will be stopped, the Watchdog Timer function is disabled, and the  $f_{LIRC}$  clock will be stopped.

### SLEEP1 Mode

The SLEEP Mode is entered when an HALT instruction is executed and when the IDLEN bit in the SMOD register is low. In the SLEEP1 mode the CPU will be stopped. However the  $f_{LIRC}$  clocks will continue to operate as the Watchdog Timer function is enabled.

### IDLE0 Mode

The IDLE0 Mode is entered when a HALT instruction is executed and when the IDLEN bit in the SMOD register is high and the FSYSON bit in the SMOD1 register is low. In the IDLE0 Mode the system oscillator will be inhibited from driving the CPU but some peripheral functions will remain operational such as the Watchdog Timer and TMs. In the IDLE0 Mode, the system oscillator will be stopped.

### IDLE1 Mode

The IDLE1 Mode is entered when a HALT instruction is executed and when the IDLEN bit in the SMOD register is high and the FSYSON bit in the SMOD1 register is high. In the IDLE1 Mode the system oscillator will be inhibited from driving the CPU but may continue to provide a clock source to keep some peripheral functions operational such as the Watchdog Timer and TMs. In the IDLE1 Mode, the system oscillator will continue to run, and this system oscillator may be high speed or low speed system oscillator. In the IDLE1 Mode, the Watchdog Timer clock,  $f_{LIRC}$ , will be on.

## Control Register

The SMOD register and the FSYSON bit in the SMOD1 register are used to control the internal clocks within the device.

### • SMOD Register

Bit	7	6	5	4	3	2	1	0
Name	CKS2	CKS1	CKS0	–	LTO	HTO	IDLEN	HLCLK
R/W	R/W	R/W	R/W	–	R	R	R/W	R/W
POR	0	0	0	–	0	0	1	1

Bit 7~5 **CKS2~CKS0:** System clock selection when HLCLK is "0"

- 000:  $f_L$  (LIRC)
- 001:  $f_L$  (LIRC)
- 010:  $f_H/64$
- 011:  $f_H/32$
- 100:  $f_H/16$
- 101:  $f_H/8$
- 110:  $f_H/4$
- 111:  $f_H/2$

These three bits are used to select which clock is used as the system clock source. In addition to the system clock source directly derived from  $f_L$  or  $f_H$ , a divided version of the high speed system oscillator can also be chosen as the system clock source.

- Bit 4 Unimplemented, read as "0"
- Bit 3 **LTO**: Low speed oscillator ready flag  
0: Not ready  
1: Ready  
This is the low speed system oscillator ready flag which indicates when the low speed oscillator is stable after power on reset or a wake-up has occurred. The flag will be low when in the SLEEP0 Mode, but after a wake-up has occurred the flag will change to a high level after 1~2 cycles if the LIRC oscillator is used.
- Bit 2 **HTO**: High speed oscillator ready flag  
0: Not ready  
1: Ready  
This is the high speed oscillator ready flag which indicates when the high speed system oscillator is stable. This flag is cleared to "0" by hardware when the device is powered on and then changes to a high level after the high speed system oscillator is stable. Therefore this flag will always be read as "1" by the application program after device power-on.
- Bit 1 **IDLEN**: IDLE Mode Control  
0: Disable  
1: Enable  
This is the IDLE Mode Control bit and determines what happens when the HALT instruction is executed. If this bit is high, when a HALT instruction is executed the device will enter the IDLE Mode. If FSYSON bit is high, the CPU will stop running but the system clock will continue to keep the peripheral functions operational in the IDLE1 Mode. If FSYSON bit is low, the CPU and the system clock will all stop in IDLE0 mode. If the bit is low the device will enter the SLEEP Mode when a HALT instruction is executed.
- Bit 0 **HLCLK**: System Clock Selection  
0:  $f_H/2 \sim f_H/64$  or  $f_L$   
1:  $f_H$   
This bit is used to select if the  $f_H$  clock or the  $f_H/2 \sim f_H/64$  or  $f_L$  clock is used as the system clock. When the bit is high the  $f_H$  clock will be selected and if low the  $f_H/2 \sim f_H/64$  or  $f_L$  clock will be selected. When system clock switches from the  $f_H$  clock to the  $f_L$  clock and the  $f_H$  clock will be automatically switched off to conserve power.

Note: A certain delay is required before the relevant clock is successfully switched to the target clock source after any clock switching setup using the CKS2~CKS0 bits. A proper delay time must be arranged before executing the following operations which require immediate reaction with the target clock source.

Clock switching delay time =  $4 \times t_{SYS} + [0 \sim (1.5 \times t_{CURR} + 0.5 \times t_{TAR})]$ , where  $t_{CURR}$  indicates the current clock period,  $t_{TAR}$  indicates the target clock period and  $t_{SYS}$  indicates the current system clock period.

• **SMOD1 Register**

Bit	7	6	5	4	3	2	1	0
Name	FSYSON	—	—	—	RSTF	LVRF	—	WRF
R/W	R/W	—	—	—	R/W	R/W	—	R/W
POR	0	—	—	—	0	x	—	0

"x": unknown

- Bit 7 **FSYSON**:  $f_{SYS}$  on/off control in IDLE Mode  
0: Disable  
1: Enable
- Bit 6~4 Unimplemented, read as "0"
- Bit 3 **RSTF**: RSTC register software reset flag  
Described elsewhere

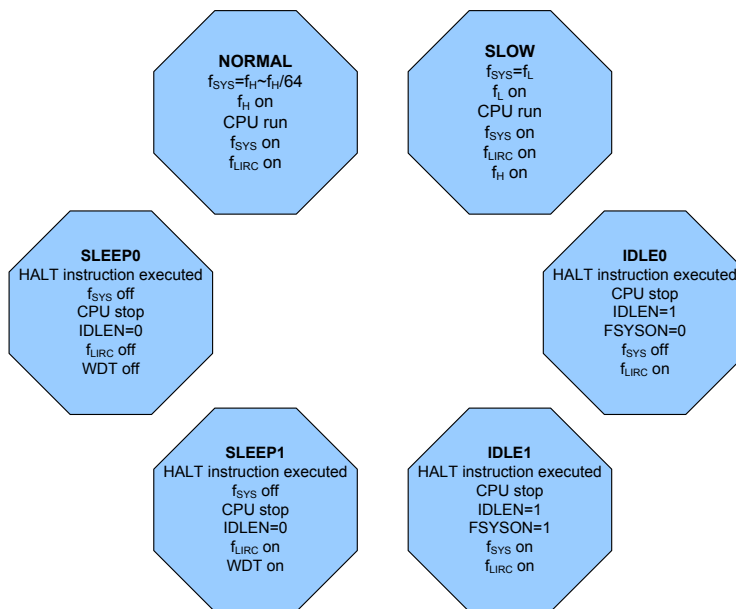
Bit 2	<b>LVRF:</b> LVR function reset flag Described elsewhere
Bit 1	Unimplemented, read as "0"
Bit 0	<b>WRF:</b> WDT Control register software reset flag Described elsewhere

### Operating Mode Switching

The device can switch between operating modes dynamically allowing the user to select the best performance/power ratio for the present task in hand. In this way microcontroller operations that do not require high performance can be executed using slower clocks thus requiring less operating current and prolonging battery life in portable applications.

In simple terms, Mode Switching between the NORMAL Mode and SLOW Mode is executed using the HLCLK bit and CKS2~CKS0 bits in the SMOD register while Mode Switching from the NORMAL/SLOW Modes to the SLEEP/IDLE Modes is executed via the HALT instruction. When a HALT instruction is executed, whether the device enters the IDLE Mode or the SLEEP Mode is determined by the condition of the IDLEN bit in the SMOD register and FSYSON in the SMOD1 register.

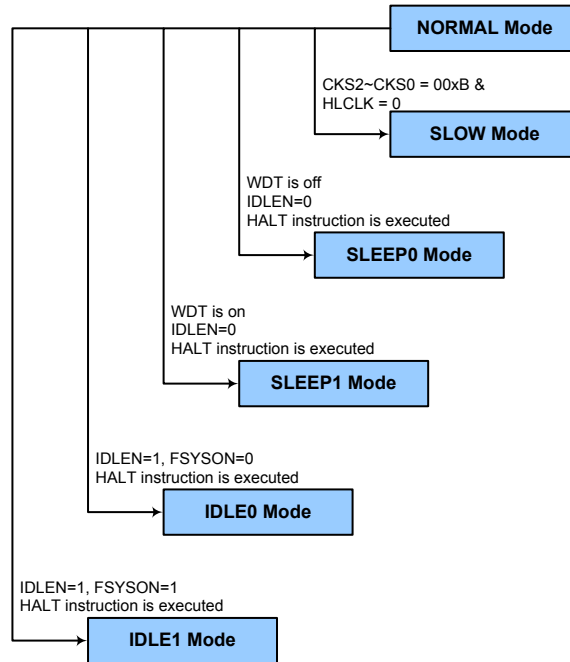
When the HLCLK bit switches to a low level, which implies that clock source is switched from the high speed clock source,  $f_H$ , to the clock source,  $f_H/2 \sim f_H/64$  or  $f_L$ . If the clock is from the  $f_L$ , the high speed clock source will stop running to conserve power. When this happens it must be noted that the  $f_H/16$  and  $f_H/64$  internal clock sources will also stop running, which may affect the operation of other internal functions such as the TMs.



### NORMAL Mode to SLOW Mode Switching

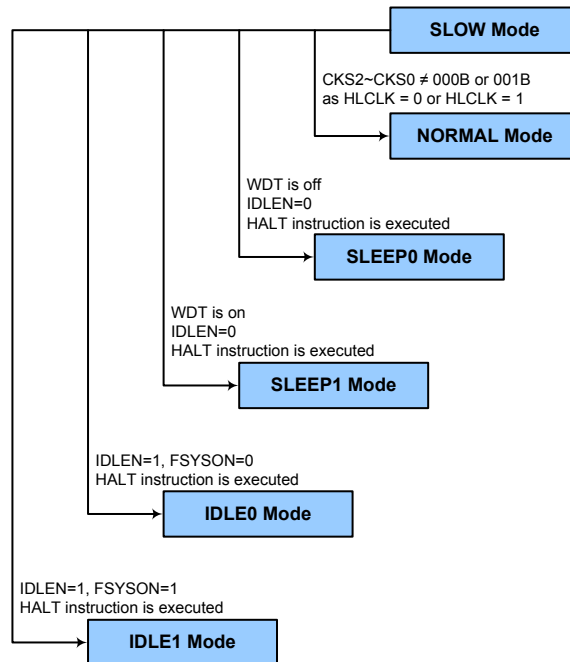
When running in the NORMAL Mode, which uses the high speed system oscillator, and therefore consumes more power, the system clock can switch to run in the SLOW Mode by setting the HLCLK bit to "0" and setting the CKS2~CKS0 bits to "000" or "001" in the SMOD register. This will then use the low speed system oscillator which will consume less power. Users may decide to do this for certain operations which do not require high performance and can subsequently reduce power consumption.

The SLOW Mode is sourced from the LIRC oscillator and therefore requires this oscillator to be stable before full mode switching occurs. This is monitored using the LTO bit in the SMOD register.



**SLOW Mode to NORMAL Mode Switching**

In SLOW Mode the system uses LIRC low speed system oscillator. To switch back to the NORMAL Mode, where the high speed system oscillator is used, the HLCLK bit should be set to "1" or HLCLK bit is "0", but CKS2~CKS0 is set to "010", "011", "100", "101", "110" or "111". As a certain amount of time will be required for the high frequency clock to stabilise, the status of the HTO bit is checked.



### **Entering the SLEEP0 Mode**

There is only one way for the device to enter the SLEEP0 Mode and that is to execute the "HALT" instruction in the application program with the IDLEN bit in SMOD register equal to "0" and the WDT off. When this instruction is executed under the conditions described above, the following will occur:

- The system clock, WDT clock and Time Base clock will be stopped and the application program will stop at the "HALT" instruction.
- The Data Memory contents and registers will maintain their present condition.
- The WDT will be cleared and stopped.
- The I/O ports will maintain their present conditions.
- In the status register, the Power Down flag, PDF, will be set and the Watchdog time-out flag, TO, will be cleared.

### **Entering the SLEEP1 Mode**

There is only one way for the devices to enter the SLEEP1 Mode and that is to execute the "HALT" instruction in the application program with the IDLEN bit in SMOD register equal to "0" and the WDT on. When this instruction is executed under the conditions described above, the following will occur:

- The system clock and Time Base clock will be stopped and the application program will stop at the "HALT" instruction, but the WDT will remain with the clock source coming from the  $f_{LIRC}$  clock.
- The Data Memory contents and registers will maintain their present condition.
- The WDT will be cleared and resume counting if the WDT is enabled.
- The I/O ports will maintain their present conditions.
- In the status register, the Power Down flag, PDF, will be set and the Watchdog time-out flag, TO, will be cleared.

### **Entering the IDLE0 Mode**

There is only one way for the device to enter the IDLE0 Mode and that is to execute the "HALT" instruction in the application program with the IDLEN bit in SMOD register equal to "1" and the FSYSON bit in SMOD1 register equal to "0". When this instruction is executed under the conditions described above, the following will occur:

- The system clock will be stopped and the application program will stop at the "HALT" instruction, but the Time Base clock will be on.
- The Data Memory contents and registers will maintain their present condition.
- The WDT will be cleared and resume counting if the WDT is enabled.
- The I/O ports will maintain their present conditions.
- In the status register, the Power Down flag, PDF, will be set and the Watchdog time-out flag, TO, will be cleared.

### Entering the IDLE1 Mode

There is only one way for the device to enter the IDLE1 Mode and that is to execute the "HALT" instruction in the application program with the IDLEN bit in SMOD register equal to "1" and the FSYSON bit in SMOD1 register equal to "1". When this instruction is executed under the conditions described above, the following will occur:

- The system clock and Time Base clock will be on and the application program will stop at the "HALT" instruction.
- The Data Memory contents and registers will maintain their present condition.
- The WDT will be cleared and resume counting if the WDT is enabled.
- The I/O ports will maintain their present conditions.
- In the status register, the Power Down flag, PDF, will be set and the Watchdog time-out flag, TO, will be cleared.

### Standby Current Considerations

As the main reason for entering the SLEEP or IDLE Mode is to keep the current consumption of the device to as low a value as possible, perhaps only in the order of several micro-amps except in the IDLE1 Mode, there are other considerations which must also be taken into account by the circuit designer if the power consumption is to be minimised. Special attention must be made to the I/O pins on the device. All high-impedance input pins must be connected to either a fixed high or low level as any floating input pins could create internal oscillations and result in increased current consumption. This also applies to devices which have different package types, as there may be unbonded pins. These must either be setup as outputs or if setup as inputs must have pull-high resistors connected.

Care must also be taken with the loads, which are connected to I/O pins, which are setup as outputs. These should be placed in a condition in which minimum current is drawn or connected only to external circuits that do not draw current, such as other CMOS inputs. In the IDLE1 Mode the system oscillator is on, if the system oscillator is from the high speed system oscillator, the additional standby current will also be perhaps in the order of several hundred micro-amps.

### Wake-up

After the system enters the SLEEP or IDLE Mode, it can be woken up from one of various sources listed as follows:

- An external reset
- An external falling edge on Port A
- A system interrupt
- A WDT overflow

If the system is woken up by an external reset, the device will experience a full system reset, however, If the device is woken up by a WDT overflow, a Watchdog Timer reset will be initiated. Although both of these wake-up methods will initiate a reset operation, the actual source of the wake-up can be determined by examining the TO and PDF flags. The PDF flag is cleared by a system power-up or executing the clear Watchdog Timer instructions and is set when executing the "HALT" instruction. The TO flag is set if a WDT time-out occurs, and causes a wake-up that only resets the Program Counter and Stack Pointer, the other flags remain in their original status.

Each pin on Port A can be setup using the PAWU register to permit a negative transition on the pin to wake-up the system. When a Port A pin wake-up occurs, the program will resume execution at the instruction following the "HALT" instruction. If the system is woken up by an interrupt, then two possible situations may occur. The first is where the related interrupt is disabled or the interrupt

is enabled but the stack is full, in which case the program will resume execution at the instruction following the "HALT" instruction. In this situation, the interrupt which woke-up the device will not be immediately serviced, but will rather be serviced later when the related interrupt is finally enabled or when a stack level becomes free. The other situation is where the related interrupt is enabled and the stack is not full, in which case the regular interrupt response takes place. If an interrupt request flag is set high before entering the SLEEP or IDLE Mode, the wake-up function of the related interrupt will be disabled.

## Watchdog Timer

The Watchdog Timer is provided to prevent program malfunctions or sequences from jumping to unknown locations, due to certain uncontrollable external events such as electrical noise.

### Watchdog Timer Clock Source

The Watchdog Timer clock source is provided by the internal  $f_{LIRC}$  clock which is supplied by the LIRC oscillator. The Watchdog Timer source clock is then subdivided by a ratio of  $2^8$  to  $2^{15}$  to give longer timeouts, the actual value being chosen using the WS2~WS0 bits in the WDTC register. The LIRC internal oscillator has an approximate period of 32kHz at a supply voltage of 3V. However, it should be noted that this specified internal clock period can vary with  $V_{DD}$ , temperature and process variations. The WDT can be enabled/disabled using the WDTC register.

### Watchdog Timer Control Register

A single register, WDTC, controls the required timeout period as well as the enable/disable operation. The WRF software reset flag will be indicated in the SMOD1 register. These registers control the overall operation of the Watchdog Timer.

#### • WDTC Register

Bit	7	6	5	4	3	2	1	0
Name	WE4	WE3	WE2	WE1	WE0	WS2	WS1	WS0
R/W	R/W	R/W	R/W	R/W	R/W	R/W	R/W	R/W
POR	0	1	0	1	0	0	1	1

Bit 7~3     **WE4~WE0:** WDT function software control  
 10101: WDT disable  
 01010: WDT enable  
 Other values: Reset MCU

When these bits are changed to any other values by the environmental noise to reset the microcontroller, the reset operation will be activated after 2~3 LIRC clock cycles and the WRF bit will be set to 1 to indicate the reset source.

Bit 2~0     **WS2~WS0:** WDT Time-out period selection  
 000:  $2^8/f_{LIRC}$   
 001:  $2^9/f_{LIRC}$   
 010:  $2^{10}/f_{LIRC}$   
 011:  $2^{11}/f_{LIRC}$   
 100:  $2^{12}/f_{LIRC}$   
 101:  $2^{13}/f_{LIRC}$   
 110:  $2^{14}/f_{LIRC}$   
 111:  $2^{15}/f_{LIRC}$

These three bits determine the division ratio of the Watchdog Timer source clock, which in turn determines the timeout period.

• **SMOD1 Register**

Bit	7	6	5	4	3	2	1	0
Name	FSYSON	—	—	—	RSTF	LVRF	—	WRF
R/W	R/W	—	—	—	R/W	R/W	—	R/W
POR	0	—	—	—	0	x	—	0

"x": unknown

- Bit 7      **FSYSON**: f<sub>sys</sub> on/off control in IDLE Mode  
Described elsewhere
- Bit 6~4    Unimplemented, read as "0"
- Bit 3      **RSTF**: RSTC register software reset flag  
Described elsewhere
- Bit 2      **LVRF**: LVR function reset flag  
Described elsewhere
- Bit 1      Unimplemented, read as "0"
- Bit 0      **WRF**: WDT Control register software reset flag  
0: Not occur  
1: Occurred

This bit is set to 1 by the WDT Control register software reset and cleared by the application program. Note that this bit can only be cleared to 0 by the application program.

**Watchdog Timer Operation**

The Watchdog Timer operates by providing a device reset when its timer overflows. This means that in the application program and during normal operation the user has to strategically clear the Watchdog Timer before it overflows to prevent the Watchdog Timer from executing a reset. This is done using the clear watchdog instructions. If the program malfunctions for whatever reason, jumps to an unknown location, or enters an endless loop, the clear WDT instructions will not be executed in the correct manner, in which case the Watchdog Timer will overflow and reset the device. With regard to the Watchdog Timer enable/disable function, there are five bits, WE4~WE0, in the WDTC register to additional enable/disable and reset control of the Watchdog Timer.

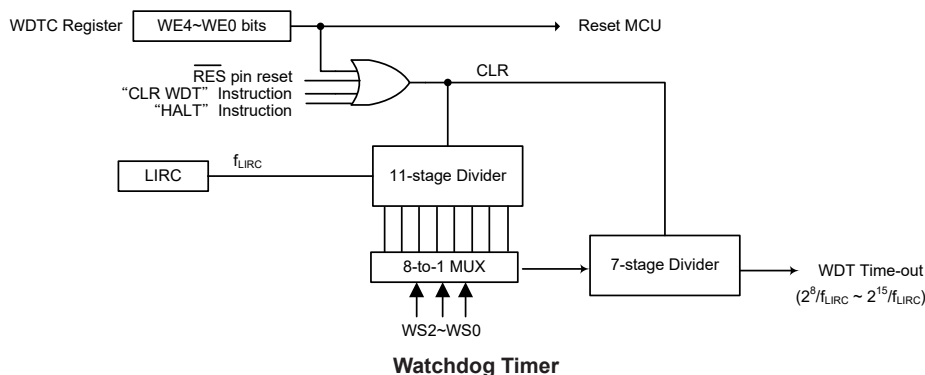
WE4~WE0 Bits	WDT Function
10101B	Disable
01010B	Enable
Any other value	Reset MCU

**Watchdog Timer Enable/Disable Control**

Under normal program operation, a Watchdog Timer time-out will initialise a device reset and set the status bit TO. However, if the system is in the SLEEP or IDLE Mode, when a Watchdog Timer time-out occurs, the TO bit in the status register will be set and only the Program Counter and Stack Pointer will be reset. Four methods can be adopted to clear the contents of the Watchdog Timer. The first is a WDTC software reset, which means a value other than 01010B and 10101B is written into the WE4~WE0 bit locations, the second is an external hardware reset, which means a low level on the external reset pin, the third is using the Watchdog Timer software clear instruction and the fourth is via a HALT instruction. There is only one method of using software instruction to clear the Watchdog Timer. That is to use the single "CLR WDT" instruction to clear the WDT.

The maximum time-out period is when the 2<sup>15</sup> division ratio is selected. As an example, with a 32 kHz LIRC oscillator as its source clock, this will give a maximum watchdog period of around 1 second for the 2<sup>15</sup> division ratio, and a minimum timeout of 8ms for the 2<sup>8</sup> division ration.





## Reset and Initialisation

A reset function is a fundamental part of any microcontroller ensuring that the device can be set to some predetermined condition irrespective of outside parameters. The most important reset condition is after power is first applied to the microcontroller. In this case, internal circuitry will ensure that the microcontroller, after a short delay, will be in a well defined state and ready to execute the first program instruction. After this power-on reset, certain important internal registers will be set to defined states before the program commences. One of these registers is the Program Counter, which will be reset to zero forcing the microcontroller to begin program execution from the lowest Program Memory address.

In addition to the power-on reset, situations may arise where it is necessary to forcefully apply a reset condition when the microcontroller is running. One example of this is where after power has been applied and the microcontroller is already running, the  $\overline{\text{RES}}$  line is forcefully pulled low. In such a case, known as a normal operation reset, some of the microcontroller registers remain unchanged allowing the microcontroller to proceed with normal operation after the reset line is allowed to return high.

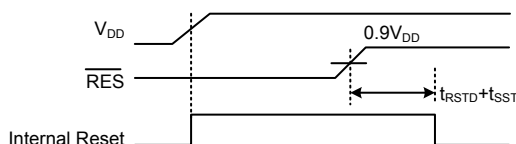
Another type of reset is when the Watchdog Timer overflows and resets the microcontroller. All types of reset operations result in different register conditions being setup. Another reset exists in the form of a Low Voltage Reset, LVR, where a full reset is implemented in situations where the power supply voltage falls below a certain threshold.

## Reset Functions

There are several ways in which a microcontroller reset can occur, through events occurring both internally and externally:

### Power-on Reset

The most fundamental and unavoidable reset is the one that occurs after power is first applied to the microcontroller. As well as ensuring that the Program Memory begins execution from the first memory address, a power-on reset also ensures that certain other registers are preset to known conditions. All the I/O port and port control registers will power up in a high condition ensuring that all pins will be first set to inputs.



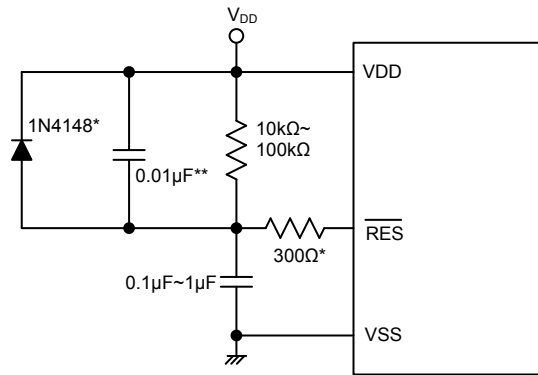
Note:  $t_{\text{RSTD}}$  is power-on delay, typical time=50ms

**Power-On Reset Timing Chart**

**RES Pin Reset**

Although the microcontroller has an internal RC reset function, if the  $V_{DD}$  power supply rise time is not fast enough or does not stabilise quickly at power-on, the internal reset function may be incapable of providing proper reset operation. For this reason it is recommended that an external RC network is connected to the  $\overline{RES}$  pin, whose additional time delay will ensure that the  $\overline{RES}$  pin remains low for an extended period to allow the power supply to stabilise. During this time delay, normal operation of the microcontroller will be inhibited. After the  $\overline{RES}$  line reaches a certain voltage value, the reset delay time  $t_{RSTD}$  is invoked to provide an extra delay time after which the microcontroller will begin normal operation. The abbreviation SST in the figures stands for System Start-up Timer.

For most applications a resistor connected between  $V_{DD}$  and the  $\overline{RES}$  pin and a capacitor connected between  $VSS$  and the  $\overline{RES}$  pin will provide a suitable external reset circuit. Any wiring connected to the  $\overline{RES}$  pin should be kept as short as possible to minimize any stray noise interference. For applications that operate within an environment where more noise is present the Enhanced Reset Circuit shown is recommended.

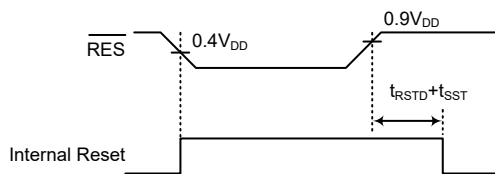


Note: "\*" It is recommended that this component is added for added ESD protection

"\*\*" It is recommended that this component is added in environments where power line noise is significant

**External RES Circuit**

Pulling the  $\overline{RES}$  Pin low using external hardware will also execute a device reset. In this case, as in the case of other resets, the Program Counter will reset to zero and program execution initiated from this point.



Note:  $t_{RSTD}$  is power-on delay, typical time=16.7ms

**RES Reset Timing Chart**

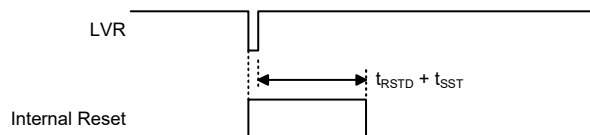
• **RSTC External Reset Register**

Bit	7	6	5	4	3	2	1	0
Name	RSTC7	RSTC6	RSTC5	RSTC4	RSTC3	RSTC2	RSTC1	RSTC0
R/W	R/W	R/W	R/W	R/W	R	R	R/W	R/W
POR	0	1	0	1	0	1	0	1

Bit 7~0 **RSTC7~RSTC0**: PA7/ $\overline{\text{RES}}$  selection  
 01010101: Configured as PA7 pin or other pin-shared function  
 10101010: Configured as  $\overline{\text{RES}}$  pin  
 Other Values: MCU reset (reset will be active after 2~3 LIRC clock for debounce time)  
 All reset will reset this register as POR value except WDT time out Hardware warm reset.  
 Note the RSTC register setting has the higher priority for selection of the  $\overline{\text{RES}}$  pin function than the PA7 pin-shared function selection register.

**Low Voltage Reset – LVR**

The microcontroller contains a low voltage reset circuit in order to monitor the supply voltage of the device and provide an MCU reset should the value fall below a certain predefined level. The LVR function is always enabled during the normal and slow modes with a specific LVR voltage  $V_{\text{LVR}}$ . If the supply voltage of the device drops to within a range of  $0.9V \sim V_{\text{LVR}}$  such as might occur when changing the battery, the LVR will automatically reset the device internally and the LVRF bit in the SMOD1 register will also be set to 1. For a valid LVR signal, a low voltage, i.e., a voltage in the range between  $0.9V \sim V_{\text{LVR}}$  must exist for greater than the value  $t_{\text{LVR}}$  specified in the LVD/LVR Electrical Characteristics. If the low voltage state does not exceed this value, the LVR will ignore the low supply voltage and will not perform a reset function. The actual  $V_{\text{LVR}}$  is 2.1V, the LVR will reset the device after 2~3 LIRC clock cycles. Note that the LVR function will be automatically disabled when the device enters the SLEEP/IDLE mode.



Note:  $t_{\text{RSTD}}$  is power-on delay, typical time=50ms

**Low Voltage Reset Timing Chart**

• **SMOD1 Register**

Bit	7	6	5	4	3	2	1	0
Name	FSYSON	—	—	—	RSTF	LVRF	—	WRF
R/W	R/W	—	—	—	R/W	R/W	—	R/W
POR	0	—	—	—	0	x	—	0

"x": unknown

Bit 7 **FSYSON**:  $f_{\text{SYS}}$  on/off control in IDLE Mode  
 Described elsewhere

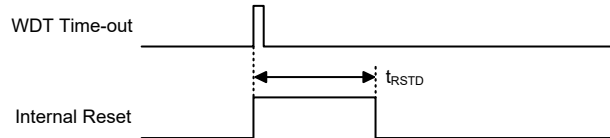
Bit 6~4 Unimplemented, read as "0"

Bit 3 **RSTF**: RSTC register software reset flag  
 0: Not active  
 1: Active  
 This bit is set to 1 by the RSTC register setting and cleared to 0 by the application program.  
 Note that this bit can only be cleared to 0 by the application program or POR reset.

- Bit 2      **LVRF**: LVR function reset flag  
             0: Not active  
             1: Active  
             This bit can be cleared to "0", but can not be set to "1"
- Bit 1      Unimplemented, read as "0"
- Bit 0      **WRF**: WDT Control register software reset flag  
             Described elsewhere.

**Watchdog Time-out Reset during Normal Operation**

The Watchdog time-out flag TO will be set to "1" when Watchdog time-out Reset during normal operations.

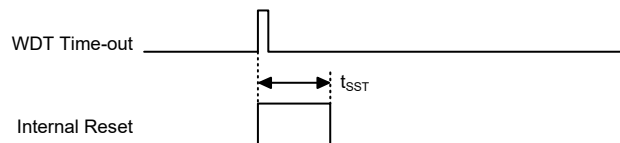


Note:  $t_{RSTD}$  is power-on delay, typical time=16.7ms

**WDT Time-out Reset during Normal Operation Timing Chart**

**Watchdog Time-out Reset during SLEEP or IDLE Mode**

The Watchdog time-out Reset during SLEEP or IDLE Mode is a little different from other kinds of reset. Most of the conditions remain unchanged except that the Program Counter and the Stack Pointer will be cleared to "0" and the TO flag will be set to "1". Refer to the A.C. Characteristics for  $t_{SST}$  details.



**WDT Time-out Reset during SLEEP or IDLE Mode Timing Chart**

**Reset Initial Conditions**

The different types of reset described affect the reset flags in different ways. These flags, known as PDF and TO are located in the status register and are controlled by various microcontroller operations, such as the SLEEP or IDLE Mode function or Watchdog Timer. The reset flags are shown in the table:

TO	PDF	RESET Conditions
0	0	Power-on reset
u	u	LVR reset
1	u	WDT time-out reset during NORMAL or SLOW Mode operation
1	1	WDT time-out reset during IDLE or SLEEP Mode operation

Note: "u" stands for unchanged

The following table indicates the way in which the various components of the microcontroller are affected after a power-on reset occurs.

Item	Condition After RESET
Program Counter	Reset to zero
Interrupts	All interrupts will be disabled
WDT	Clear after reset, WDT begins counting
Timer Modules	Timer Modules will be turned off
Input/Output Ports	I/O ports will be setup as inputs
Stack Pointer	Stack Pointer will point to the top of the stack

The different kinds of resets all affect the internal registers of the microcontroller in different ways. To ensure reliable continuation of normal program execution after a reset occurs, it is important to know what condition the microcontroller is in after a particular reset occurs. The following table describes how each type of reset affects each of the microcontroller internal registers. Note that where more than one package type exists the table will reflect the situation for the larger package type.

Register	Reset (Power-on)	WDT Time-out (Normal Operation)	RES Reset (Normal Operation)	RES Reset (HALT)	WDT Time-out (HALT)*
Program Counter	000H	000H	000H	000H	000H
MP0	1xxx xxxx	1xxx xxxx	1xxx xxxx	1xxx xxxx	1uuu uuuu
MP1	1xxx xxxx	1xxx xxxx	1xxx xxxx	1xxx xxxx	1uuu uuuu
BP	---- --0	---- --0	---- --0	---- --0	---- --u
ACC	xxxx xxxx	uuuu uuuu	uuuu uuuu	uuuu uuuu	uuuu uuuu
PCL	0000 0000	0000 0000	0000 0000	0000 0000	0000 0000
TBLP	xxxx xxxx	uuuu uuuu	uuuu uuuu	uuuu uuuu	uuuu uuuu
TBLH	--xx xxxx	--uu uuuu	--uu uuuu	--uu uuuu	--uu uuuu
STATUS	--00 xxxx	--1u uuuu	--uu uuuu	--01 uuuu	--11 uuuu
SMOD	000- 0011	000- 0011	000- 0011	000- 0011	uuu- uuuu
LVDC	--00 -000	--00 -000	--00 -000	--00 -000	--uu -uuu
INTEG	---- --00	---- --00	---- --00	---- --00	---- --uu
INTC0	-000 0000	-000 0000	-000 0000	-000 0000	-uuu uuuu
INTC1	0-00 0-00	0-00 0-00	0-00 0-00	0-00 0-00	u-uu u-uu
MFI0	--00 --00	--00 --00	--00 --00	--00 --00	--uu --uu
MFI1	--00 --00	--00 --00	--00 --00	--00 --00	--uu --uu
PA	1111 1111	1111 1111	1111 1111	1111 1111	uuuu uuuu
PAC	1111 1111	1111 1111	1111 1111	1111 1111	uuuu uuuu
PAPU	0000 0000	0000 0000	0000 0000	0000 0000	uuuu uuuu
PAWU	0000 0000	0000 0000	0000 0000	0000 0000	uuuu uuuu
IFS0	0000 0-00	0000 0-00	0000 0-00	0000 0-00	uuuu u-uu
WDTC	0101 0011	0101 0011	0101 0011	0101 0011	uuuu uuuu
TBC	0011 -111	0011 -111	0011 -111	0011 -111	uuuu -uuu
SMOD1	0--- 0x-0	0--- 0x-0	0--- 0x-0	0--- 0x-0	u--- uu-u
EEA	---0 0000	---0 0000	---0 0000	---0 0000	---u uuuu
EED	0000 0000	0000 0000	0000 0000	0000 0000	uuuu uuuu
RSTC	0101 0101	0101 0101	0101 0101	0101 0101	uuuu uuuu
PASR	000- ----	000- ----	000- ----	000- ----	uuu- ----
PBSR	--00 000-	--00 000-	--00 000-	--00 000-	--uu uu-u-
STM0C0	0000 0000	0000 0000	0000 0000	0000 0000	uuuu uuuu
STM0C1	0000 0000	0000 0000	0000 0000	0000 0000	uuuu uuuu

Register	Reset (Power-on)	WDT Time-out (Normal Operation)	RES Reset (Normal Operation)	$\overline{\text{RES}}$ Reset (HALT)	WDT Time-out (HALT)*
STM0DL	0000 0000	0000 0000	0000 0000	0000 0000	uuuu uuuu
STM0DH	---- --00	---- --00	---- --00	---- --00	---- --uu
STM0AL	0000 0000	0000 0000	0000 0000	0000 0000	uuuu uuuu
STM0AH	---- --00	---- --00	---- --00	---- --00	---- --uu
PB	--11 1111	--11 1111	--11 1111	--11 1111	--uu uuuu
PBC	--11 1111	--11 1111	--11 1111	--11 1111	--uu uuuu
PBPU	--00 0000	--00 0000	--00 0000	--00 0000	--uu uuuu
PTM1C0	0000 0---	0000 0---	0000 0---	0000 0---	uuuu u---
PTM1C1	0000 0000	0000 0000	0000 0000	0000 0000	uuuu uuuu
PTM1DL	0000 0000	0000 0000	0000 0000	0000 0000	uuuu uuuu
PTM1DH	---- --00	---- --00	---- --00	---- --00	---- --uu
PTM1AL	0000 0000	0000 0000	0000 0000	0000 0000	uuuu uuuu
PTM1AH	---- --00	---- --00	---- --00	---- --00	---- --uu
PTM1RPL	0000 0000	0000 0000	0000 0000	0000 0000	uuuu uuuu
PTM1RPH	---- --00	---- --00	---- --00	---- --00	---- --uu
EEC	---- 0000	---- 0000	---- 0000	---- 0000	---- uuuu

Note: "\*" stands for warm reset

"-" stands for "unimplemented"

"u" stands for "unchanged"

"x" stands for "unknown"

## Input/Output Ports

Holtek microcontrollers offer considerable flexibility on their I/O ports. With the input or output designation of every pin fully under user program control, pull-high selections for all ports and wake-up selections on certain pins, the user is provided with an I/O structure to meet the needs of a wide range of application possibilities.

The devices provide bidirectional input/output lines labeled with port names PA~PB. These I/O ports are mapped to the RAM Data Memory with specific addresses as shown in the Special Purpose Data Memory table. All of these I/O ports can be used for input and output operations. For input operation, these ports are non-latching, which means the inputs must be ready at the T2 rising edge of instruction "MOV A, [m]", where m denotes the port address. For output operation, all the data is latched and remains unchanged until the output latch is rewritten.

Register Name	Bit							
	7	6	5	4	3	2	1	0
PA	PA7	PA6	PA5	PA4	PA3	PA2	PA1	PA0
PAC	PAC7	PAC6	PAC5	PAC4	PAC3	PAC2	PAC1	PAC0
PAPU	PAPU7	PAPU6	PAPU5	PAPU4	PAPU3	PAPU2	PAPU1	PAPU0
PAWU	PAWU7	PAWU6	PAWU5	PAWU4	PAWU3	PAWU2	PAWU1	PAWU0
PB	—	—	PB5	PB4	PB3	PB2	PB1	PB0
PBC	—	—	PBC5	PBC4	PBC3	PBC2	PBC1	PBC0
PBPU	—	—	PBPU5	PBPU4	PBPU3	PBPU2	PBPU1	PBPU0

"—": Unimplemented, read as "0"

### I/O Logic Function Register List

## Pull-high Resistors

Many product applications require pull-high resistors for their switch inputs usually requiring the use of an external resistor. To eliminate the need for these external resistors, all I/O pins, when configured as a digital input have the capability of being connected to an internal pull-high resistor. These pull-high resistors are selected using register PAPU~PBPU, and are implemented using weak PMOS transistors.

Note that the pull-high resistor can be controlled by the relevant pull-high control register only when the pin-shared functional pin is selected as a digital input or NMOS output. Otherwise, the pull-high resistors cannot be enabled.

### • P<sub>x</sub>PU Register

Bit	7	6	5	4	3	2	1	0
Name	PxPU7	PxPU6	PxPU5	PxPU4	PxPU3	PxPU2	PxPU1	PxPU0
R/W	R/W	R/W	R/W	R/W	R/W	R/W	R/W	R/W
POR	0	0	0	0	0	0	0	0

Bit 7~0 I/O Port x Pin: pull-high function control

0: Disable

1: Enable

The P<sub>x</sub>PU<sub>n</sub> bit is used to control the pin pull-high function. Here the "x" can be A and B. However, the actual available bits for each I/O Port may be different.

Special attention should be paid to the unbonded lines, PA3, PA4 and PB4, which must either be set as outputs or if sets as inputs must have pull-high resistors connected to avoid unwanted power consumption result from floating input conditions.

For the PB2 and PB3 lines, which are internally connected to the RF transmitter module, the corresponding PBPU2 and PBPU3 bits should be kept as "0" after power on.

## Port A Wake-up

The HALT instruction forces the microcontroller into the SLEEP or IDLE Mode which preserves power, a feature that is important for battery and other low-power applications. Various methods exist to wake-up the microcontroller, one of which is to change the logic condition on one of the Port A pins from high to low. This function is especially suitable for applications that can be woken up via external switches. Each pin on Port A can be selected individually to have this wake-up feature using the PAWU register.

Note that the wake-up function can be controlled by the wake-up control registers only when the pin is selected as a general purpose input and the MCU enters the IDLE or SLEEP mode.

### • PAWU Register

Bit	7	6	5	4	3	2	1	0
Name	PAWU7	PAWU6	PAWU5	PAWU4	PAWU3	PAWU2	PAWU1	PAWU0
R/W	R/W	R/W	R/W	R/W	R/W	R/W	R/W	R/W
POR	0	0	0	0	0	0	0	0

Bit 7~0 **PAWU7~PAWU0**: PA7~PA0 pin wake-up function control

0: Disable

1: Enable

## I/O Port Input/Output Control

Each I/O port has its own control register known as PAC~PBC, to control the input/output configuration. With these control registers, each CMOS output or input can be reconfigured dynamically under software control. Each pin of the I/O ports is directly mapped to a bit in its associated port control register. For the I/O pin to function as an input, the corresponding bit of the control register must be written as a "1". This will then allow the logic state of the input pin to be directly read by instructions. When the corresponding bit of the control register is written as a "0", the I/O pin will be setup as a CMOS output. If the pin is currently setup as an output, instructions can still be used to read the output register. However, it should be noted that the program will in fact only read the status of the output data latch and not the actual logic status of the output pin.

### • PxC Register

Bit	7	6	5	4	3	2	1	0
Name	PxC7	PxC6	PxC5	PxC4	PxC3	PxC2	PxC1	PxC0
R/W	R/W	R/W	R/W	R/W	R/W	R/W	R/W	R/W
POR	1	1	1	1	1	1	1	1

PxCn: I/O Port x Pin type selection

0: Output

1: Input

The PxCn bit is used to control the pin type selection. Here the "x" can be A and B. However, the actual available bits for each I/O Port may be different.

Special attention should be paid to the unbonded lines, PA3, PA4 and PB4, which must either be set as outputs or if sets as inputs must have pull-high resistors connected to avoid unwanted power consumption result from floating input conditions.

For the PB2 and PB3 lines, which are internally connected to the RF transmitter module, the corresponding PBC2 and PBC3 bits should be cleared to zero to select the PB2 and PB3 as outputs.

## Pin-shared Functions

The flexibility of the microcontroller range is greatly enhanced by the use of pins that have more than one function. Limited numbers of pins can force serious design constraints on designers but by supplying pins with multi-functions, many of these difficulties can be overcome. For these pins, the desired function of the multi-function I/O pins is selected by a series of registers via the application program control.

### Pin-shared Function Selection Registers

The limited number of supplied pins in a package can impose restrictions on the amount of functions a certain device can contain. However by allowing the same pins to share several different functions and providing a means of function selection, a wide range of different functions can be incorporated into even relatively small package sizes. The device includes Port "x" pin shared function selection register, labeled as PxCnSR, and input function selection register, labeled as IFS0, which can select the desired functions of the multi-function pin-shared pins.

The most important point to note is to make sure that the desired pin-shared function is properly selected and also deselected. For most pin-shared functions, to select the desired pin-shared function, the pin-shared function should first be correctly selected using the corresponding pin-shared control register. After that the corresponding peripheral functional setting should be configured and then the peripheral function can be enabled. However, a special point must be noted for some digital input pins, such as INT, PTCK1, etc, which share the same pin-shared control configuration with their corresponding general purpose I/O functions when setting the relevant pin-shared control bit



fields. To select these pin functions, in addition to the necessary pin-shared control and peripheral functional setup aforementioned, they must also be setup as an input by setting the corresponding bit in the I/O port control register. To correctly deselect the pin-shared function, the peripheral function should first be disabled and then the corresponding pin-shared function control register can be modified to select other pin-shared functions.

Register Name	Bit							
	7	6	5	4	3	2	1	0
PASR	PAS7	PAS6	PAS5	—	—	—	—	—
PBSR	—	—	PBS5	PBS4	PBS3	PBS2	PBS1	—
IFS0	PTCK1PS1	PTCK1PS0	STCK0PS	STP0IPS	PTP1IPS	—	INTPS1	INTPS0

**Pin-shared Function Selection Register List**

• **IFS0 Register**

Bit	7	6	5	4	3	2	1	0
Name	PTCK1PS1	PTCK1PS0	STCK0PS	STP0IPS	PTP1IPS	—	INTPS1	INTPS0
R/W	R/W	R/W	R/W	R/W	R/W	—	R/W	R/W
POR	0	0	0	0	0	—	0	0

Bit 7~6 **PTCK1PS1~PTCK1PS0**: PTCK1 input source pin selection

- 00: Reserve
- 01: PTCK1 on PA6
- 10: PTCK1 on PA7
- 11: PTCK1 on PB1

Bit 5 **STCK0PS**: STCK0 input source pin selection

- 0: Reserve
- 1: STCK0 on PA2

Bit 4 **STP0IPS**: STP0I input source pin selection

- 0: STP0I on PA6
- 1: STP0I on PA0

Bit 3 **PTP1IPS**: PTP1I input source pin selection

- 0: PTP1I on PA5
- 1: PTP1I on PB0

Bit 2 Unimplemented, read as "0"

Bit 1~0 **INTPS1~INTPS0**: INT input source pin selection

- 00: Reserve
- 01: INT on PA2
- 10: Reserve
- 11: INT on PA5

• **PASR Register**

Bit	7	6	5	4	3	2	1	0
Name	PAS7	PAS6	PAS5	—	—	—	—	—
R/W	R/W	R/W	R/W	—	—	—	—	—
POR	0	0	0	—	—	—	—	—

Bit 7 **PAS7**: PA7 Pin-Shared Function Selection

- 0: PA7/PTCK1
- 1: STP0B

Note: PAS7 is valid when RSTC=55H

Bit 6 **PAS6**: PA6 Pin-Shared Function Selection

- 0: PA6/PTCK1/STP0I
- 1: STP0

- Bit 5      **PAS5:** PA4 Pin-Shared Function Selection  
This bit should be kept as "0".
- Bit 4~0    Unimplemented, read as "0"

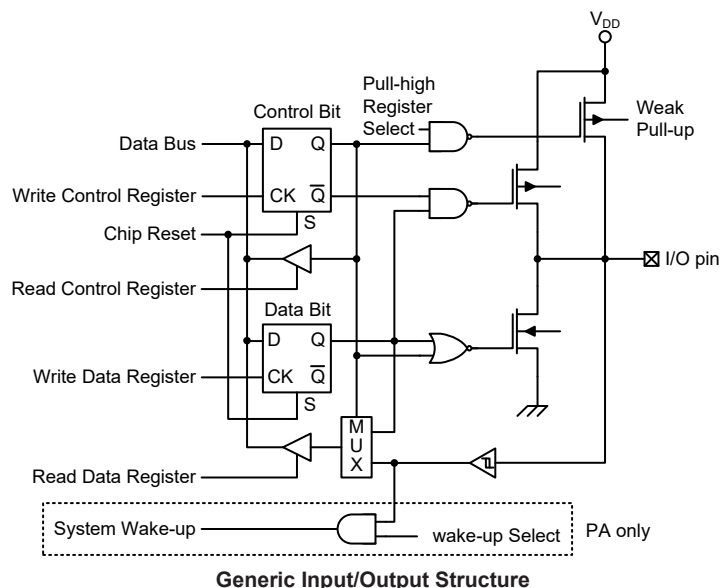
• **PBSR Register**

Bit	7	6	5	4	3	2	1	0
Name	—	—	PBS5	PBS4	PBS3	PBS2	PBS1	—
R/W	—	—	R/W	R/W	R/W	R/W	R/W	—
POR	—	—	0	0	0	0	0	—

- Bit 7~6    Unimplemented, read as "0"
- Bit 5      **PBS5:** PB5 Pin-Shared Function Selection  
0: PB5  
1: PTP1
- Bit 4      **PBS4:** PB4 Pin-Shared Function Selection  
This bit should be kept as "0".
- Bit 3      **PBS3:** PB3 Pin-Shared Function Selection  
This bit should be kept as "0".
- Bit 2      **PBS2:** PB2 Pin-Shared Function Selection  
This bit should be kept as "0".
- Bit 1      **PBS1:** PB1 Pin-Shared Function Selection  
0: PB1/PTCK1  
1: STP0B
- Bit 0      Unimplemented, read as "0"

**I/O Pin Structures**

The accompanying diagrams illustrate the internal structures of some generic I/O pin types. As the exact logical construction of the I/O pin will differ from these drawings, they are supplied as a guide only to assist with the functional understanding of the I/O pins. The wide range of pin-shared structures does not permit all types to be shown.



## Programming Considerations

Within the user program, one of the first things to consider is port initialisation. After a reset, all of the I/O data and port control registers will be set high. This means that all I/O pins will default to an input state, the level of which depends on the other connected circuitry and whether pull-high selections have been chosen. If the port control registers are then programmed to setup some pins as outputs, these output pins will have an initial high output value unless the associated port data registers are first programmed. Selecting which pins are inputs and which are outputs can be achieved byte-wide by loading the correct values into the appropriate port control register or by programming individual bits in the port control register using the "SET [m].i" and "CLR [m].i" instructions. Note that when using these bit control instructions, a read-modify-write operation takes place. The microcontroller must first read in the data on the entire port, modify it to the required new bit values and then rewrite this data back to the output ports.

Port A has the additional capability of providing wake-up functions. When the device is in the SLEEP or IDLE Mode, various methods are available to wake the device up. One of these is a high to low transition of any of the Port A pins. Single or multiple pins on Port A can be setup to have this function.

## Timer Modules – TM

One of the most fundamental functions in any microcontroller device is the ability to control and measure time. To implement time related functions the device includes several Timer Modules, abbreviated to the name TM. The TMs are multi-purpose timing units and serve to provide operations such as Timer/Counter, Input Capture, Compare Match Output and Single Pulse Output as well as being the functional unit for the generation of PWM signals. Each of the TMs has two individual interrupts. The addition of input and output pins for each TM ensures that users are provided with timing units with a wide and flexible range of features.

The common features of the different TM types are described here with more detailed information provided in the individual Standard and Periodic TM sections.

### Introduction

The device contains two TMs with each TM having a reference name of TM0~TM1. Each individual TM can be categorised as a certain type, namely Standard Type TM or Periodic Type TM. Although similar in nature, the different TM types vary in their feature complexity. The common features to the Standard and Periodic TMs will be described in this section and the detailed operation will be described in corresponding sections. The main features and differences between the two types of TMs are summarised in the accompanying table.

Function	STM	PTM
Timer/Counter	√	√
Input Capture	√	√
Compare Match Output	√	√
PWM Output	√	√
Single Pulse Output	√	√
PWM Alignment	Edge	Edge
PWM Adjustment Period & Duty	Duty or Period	Duty or Period

**TM Function Summary**

## TM Operation

The two different types of TMs offer a diverse range of functions, from simple timing operations to PWM signal generation. The key to understanding how the TM operates is to see it in terms of a free running counter whose value is then compared with the value of pre-programmed internal comparators. When the free running counter has the same value as the pre-programmed comparator, known as a compare match situation, a TM interrupt signal will be generated which can clear the counter and perhaps also change the condition of the TM output pin. The internal TM counter is driven by a user selectable clock source, which can be an internal clock or an external pin.

## TM Clock Sources

The clock source which drives the main counter in each TM can originate from various sources. The selection of the required clock source is implemented using the xTnCK2~xTnCK0 bits in the xTM control registers. The clock source can be a ratio of either the system clock  $f_{SYS}$  or the internal high clock  $f_H$ , the  $f_{TBC}$  clock source or the external xTCKn pin. The xTCKn pin clock source is used to allow an external signal to drive the TM as an external clock source or for event counting.

## TM Interrupts

The Standard and Periodic type TMs each has two internal interrupts, the internal comparator A or comparator P, which generate a TM interrupt when a compare match condition occurs. When a TM interrupt is generated, it can be used to clear the counter and also to change the state of the TM output pin.

## TM External Pins

Each of the TMs, irrespective of what type, has two TM input pins, with the label xTCKn and xTPnI. The TM input pin xTCKn, is essentially a clock source for the TM and is selected using the xTnCK2~xTnCK0 bits in the xTMnC0 register. This external TM input pin allows an external clock source to drive the internal TM. This external TM input pin is shared with other functions but will be connected to the internal TM if selected using the xTnCK2~xTnCK0 bits. The TM input pin can be chosen to have either a rising or falling active edge.

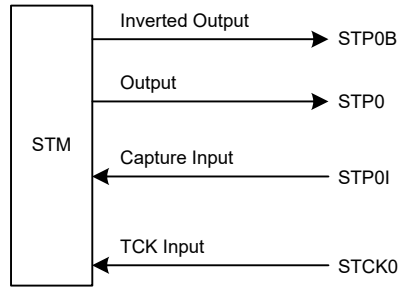
The other TM input pin, xTPnI, is the capture input whose active edge can be a rising edge, a falling edge or both rising and falling edges and the active edge transition type is selected using the xTnIO1 and xTnIO0 bits in the xTMnC1 register.

The TMs each have one or two output pins with the label xTPn and xTPnB. When the TM is in the Compare Match Output Mode, these pins can be controlled by the TM to switch to a high or low level or to toggle when a compare match situation occurs. The external xTPn output pin is also the pin where the TM generates the PWM output waveform.

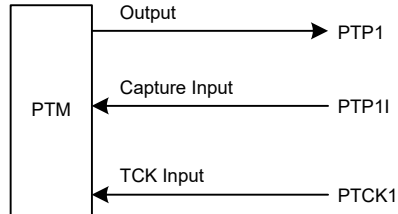
As the TM input and output pins are pin-shared with other functions, the TM input or output function must first be setup using relevant pin-shared function selection register. The details of the pin-shared function selection are described in the pin-shared function section.

Pins \ TM	STM0	PTM1
Input pins	STCK0, STP0I	PTCK1, PTP1I
Output pins	STP0, STP0B	PTP1

**TM External Pins**



**STM Function Pin Block Diagram**

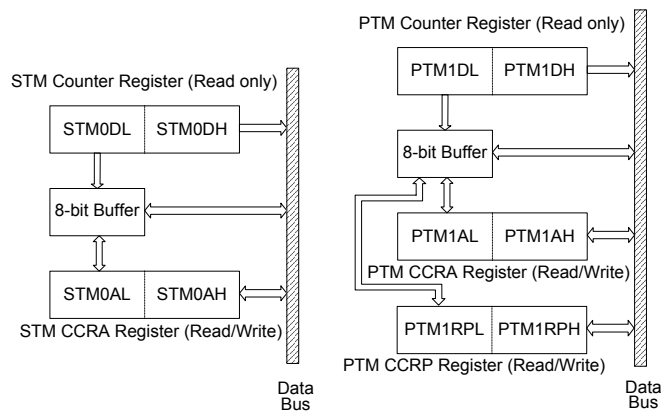


**PTM Function Pin Block Diagram**

**Programming Considerations**

The TM Counter Registers and the Capture/Compare CCRA register, and CCRP register pair for Periodic Timer Module, all have a low and high byte structure. The high bytes can be directly accessed, but as the low bytes can only be accessed via an internal 8-bit buffer, reading or writing to these register pairs must be carried out in a specific way. The important point to note is that data transfer to and from the 8-bit buffer and its related low byte only takes place when a write or read operation to its corresponding high byte is executed.

As the CCRA register and CCRP registers are implemented in the way shown in the following diagram and accessing the register is carried out CCRP low byte register using the following access procedures. Accessing the CCRA or CCRP low byte register without following these access procedures will result in unpredictable values.



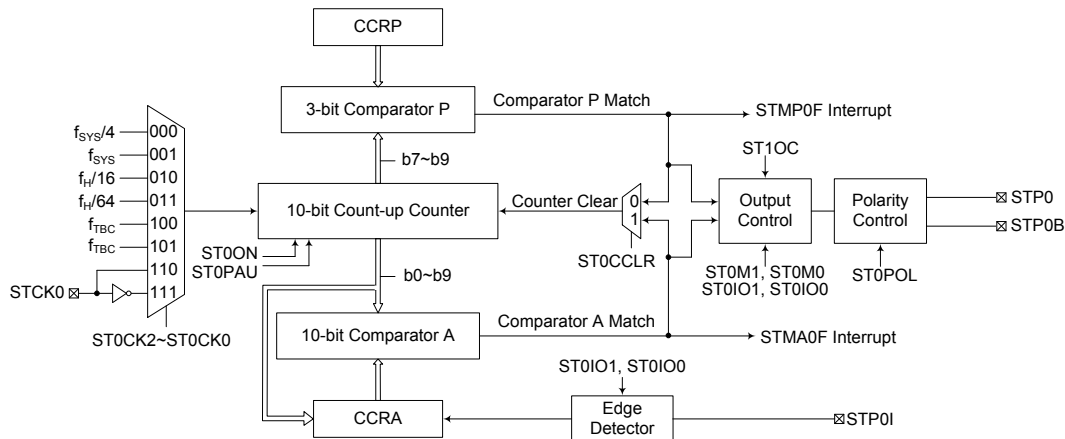
The following steps show the read and write procedures:

- Writing Data to CCRA or PTM CCRP
  - ♦ Step 1. Write data to Low Byte STM0AL, PTM1AL or PTM1RPL
    - note that here data is only written to the 8-bit buffer.
  - ♦ Step 2. Write data to High Byte STM0AH, PTM1AH or PTM1RPH
    - here data is written directly to the high byte registers and simultaneously data is latched from the 8-bit buffer to the Low Byte registers.
- Reading Data from the Counter Registers and CCRA or PTM CCRP
  - ♦ Step 1. Read data from the High Byte STM0DH, STM0AH, PTM1DH, PTM1AH or PTM1RPH
    - here data is read directly from the High Byte registers and simultaneously data is latched from the Low Byte register into the 8-bit buffer.
  - ♦ Step 2. Read data from the Low Byte STM0DL, STM0AL, PTM1DL, PTM1AL or PTM1RPL
    - this step reads data from the 8-bit buffer.

## Standard Type TM – STM

The Standard Type TM contains five operating modes, which are Compare Match Output, Timer/Event Counter, Capture Input, Single Pulse Output and PWM Output modes. The Standard TM can be controlled with two external input pins and can drive two external output pins.

TM Type	TM Name	TM Input Pin	TM Output Pin
10-bit STM	STM0	STCK0, STPOI	STP0, STP0B



Note: The STM0 external pins are pin-shared with other functions, so before using the STM0 pin functions, the pin-shared function registers must be set properly to enable the STM0 pin function. The STCK0 and STPOI pins, if used, must also be set as an input by setting the corresponding bits in the port control register.

### Standard Type TM Block Diagram

### Standard TM Operation

At its core is a 10-bit count-up counter which is driven by a user selectable internal clock source. There are also two internal comparators with the names, Comparator A and Comparator P. These comparators will compare the value in the counter with CCRP and CCRA registers. The CCRP is 3-bit wide whose value is compared with the highest 3 bits in the counter while the CCRA is the 10 bits and therefore compares with all counter bits.

The only way of changing the value of the 10-bit counter using the application program, is to clear the counter by changing the ST0ON bit from low to high. The counter will also be cleared automatically by a counter overflow or a compare match with one of its associated comparators. When these conditions occur, a TM interrupt signal will also usually be generated. The Standard Type TM can operate in a number of different operational modes, can be driven by different clock sources and can also control an output pin. All operating setup conditions are selected using relevant internal registers.

### Standard Type TM Register Description

Overall operation of the Standard TM is controlled using series of registers. A read only register pair exists to store the internal counter 10-bit value, while a read/write register pair exists to store the internal 10-bit CCRA value. The remaining two registers are control registers which setup the different operating and control modes as well as three CCRP bits.

Register Name	Bit							
	7	6	5	4	3	2	1	0
STM0C0	ST0PAU	ST0CK2	ST0CK1	ST0CK0	ST0ON	ST0RP2	ST0RP1	ST0RP0
STM0C1	ST0M1	ST0M0	ST0IO1	ST0IO0	ST0OC	ST0POL	ST0DPX	ST0CCLR
STM0DL	D7	D6	D5	D4	D3	D2	D1	D0
STM0DH	—	—	—	—	—	—	D9	D8
STM0AL	D7	D6	D5	D4	D3	D2	D1	D0
STM0AH	—	—	—	—	—	—	D9	D8

**10-bit Standard TM Register List**

#### • STM0C0 Register

Bit	7	6	5	4	3	2	1	0
Name	ST0PAU	ST0CK2	ST0CK1	ST0CK0	ST0ON	ST0RP2	ST0RP1	ST0RP0
R/W	R/W	R/W	R/W	R/W	R/W	R/W	R/W	R/W
POR	0	0	0	0	0	0	0	0

Bit 7 **ST0PAU**: STM0 Counter Pause Control  
 0: Run  
 1: Pause

The counter can be paused by setting this bit high. Clearing the bit to zero restores normal counter operation. When in a Pause condition the STM will remain powered up and continue to consume power. The counter will retain its residual value when this bit changes from low to high and resume counting from this value when the bit changes to a low value again.

Bit 6~4 **ST0CK2~ST0CK0**: Select STM0 Counter clock  
 000:  $f_{SYS}/4$   
 001:  $f_{SYS}$   
 010:  $f_H/16$   
 011:  $f_H/64$   
 100:  $f_{TBC}$   
 101:  $f_{TBC}$   
 110: STCK0 rising edge clock  
 111: STCK0 falling edge clock

These three bits are used to select the clock source for the STM. The external pin clock source can be chosen to be active on the rising or falling edge. The clock source  $f_{SYS}$  is the system clock, while  $f_H$  and  $f_{TBC}$  are other internal clocks, the details of which can be found in the oscillator section.

- Bit 3      **ST0ON**: STM0 Counter On/Off Control  
             0: Off  
             1: On
- This bit controls the overall on/off function of the STM. Setting the bit high enables the counter to run, clearing the bit disables the STM. Clearing this bit to zero will stop the counter from counting and turn off the STM which will reduce its power consumption. When the bit changes state from low to high the internal counter value will be reset to zero, however when the bit changes from high to low, the internal counter will retain its residual value until the bit returns high again. If the STM is in the Compare Match Output Mode or the PWM output Mode or Single Pulse Output Mode then the STM output pin will be reset to its initial condition, as specified by the ST0OC bit, when the ST0ON bit changes from low to high.
- Bit 2~0    **ST0RP2~ ST0RP0**: STM0 CCRP 3-bit register, compared with the STM0 Counter bit 9 ~ bit 7
- Comparator P Match Period  
             000: 1024 STM0 clocks  
             001: 128 STM0 clocks  
             010: 256 STM0 clocks  
             011: 384 STM0 clocks  
             100: 512 STM0 clocks  
             101: 640 STM0 clocks  
             110: 768 STM0 clocks  
             111: 896 STM0 clocks
- These three bits are used to setup the value on the internal CCRP 3-bit register, which are then compared with the internal counter's highest three bits. The result of this comparison can be selected to clear the internal counter if the ST0CCLR bit is set to zero. Setting the ST0CCLR bit to zero ensures that a compare match with the CCRP values will reset the internal counter. As the CCRP bits are only compared with the highest three counter bits, the compare values exist in 128 clock cycle multiples. Clearing all three bits to zero is in effect allowing the counter to overflow at its maximum value.

• **STM0C1 Register**

Bit	7	6	5	4	3	2	1	0
Name	ST0M1	ST0M0	ST0IO1	ST0IO0	ST0OC	ST0POL	ST0DPX	ST0CCLR
R/W	R/W	R/W	R/W	R/W	R/W	R/W	R/W	R/W
POR	0	0	0	0	0	0	0	0

- Bit 7~6    **ST0M1~ ST0M0**: Select STM0 Operating Mode  
             00: Compare Match Output Mode  
             01: Capture Input Mode  
             10: PWM output Mode or Single Pulse Output Mode  
             11: Timer/Counter Mode
- These bits setup the required operating mode for the STM. To ensure reliable operation the STM should be switched off before any changes are made to the ST0M1 and ST0M0 bits. In the Timer/Counter Mode, the STM output pin state is undefined.
- Bit 5~4    **ST0IO1~ ST0IO0**: Select STM0 External Pin Function
- Compare Match Output Mode  
             00: No change  
             01: Output low  
             10: Output high  
             11: Toggle output
- PWM output Mode/ Single Pulse Output Mode  
             00: PWM Output inactive state  
             01: PWM Output active state  
             10: PWM output  
             11: Single pulse output



Capture Input Mode

- 00: Input capture at rising edge of STP0I
- 01: Input capture at falling edge of STP0I
- 10: Input capture at falling/rising edge of STP0I
- 11: Input capture disabled

Timer/counter Mode:

Unused

These two bits are used to determine how the TM external pin changes state when a certain condition is reached. The function that these bits select depends upon in which mode the TM is running.

In the Compare Match Output Mode, the ST0IO1~ST0IO0 bits determine how the STM0 output pin changes state when a compare match occurs from the Comparator A. The TM output pin can be setup to switch high, switch low or to toggle its present state when a compare match occurs from the Comparator A. When the ST0IO1~ST0IO0 bits are both zero, then no change will take place on the output. The initial value of the TM output pin should be setup using the ST0OC bit. Note that the output level requested by the ST0IO1~ST0IO0 bits must be different from the initial value setup using the ST0OC bit otherwise no change will occur on the TM output pin when a compare match occurs. After the TM output pin changes state, it can be reset to its initial level by changing the level of the ST0ON bit from low to high.

In the PWM Output Mode, the ST0IO1 and ST0IO0 bits determine how the TM output pin changes state when a certain compare match condition occurs. The PWM output function is modified by changing these two bits. It is necessary to change the values of the ST0IO1 and ST0IO0 bits only after the TM has been switched off. Unpredictable PWM outputs will occur if the ST0IO1 and ST0IO0 bits are changed when the TM is running.

Bit 3 **ST0OC**: STM0 Output control bit

Compare Match Output Mode

- 0: Initial low
- 1: Initial high

PWM Output Mode/ Single Pulse Output Mode

- 0: Active low
- 1: Active high

This is the output control bit for the STM output pin. Its operation depends upon whether STM is being used in the Compare Match Output Mode or in the PWM Output Mode/ Single Pulse Output Mode. It has no effect if the STM is in the Timer/Counter Mode. In the Compare Match Output Mode it determines the logic level of the STM output pin before a compare match occurs. In the PWM output Mode it determines if the PWM signal is active high or active low. In the Single Pulse Output Mode it determines the logic level of the STM output pin when the ST0ON bit changes from low to high.

Bit 2 **ST0POL**: STM0 STP0 Output polarity Control

- 0: Non-inverted
- 1: Inverted

This bit controls the polarity of the STP0 output pin. When the bit is set high the STM output pin will be inverted and not inverted when the bit is zero. It has no effect if the TM is in the Timer/Counter Mode.

Bit 1 **ST0DPX**: STM0 PWM period/duty Control

- 0: CCRP – period; CCRA – duty
- 1: CCRP – duty; CCRA – period

This bit, determines which of the CCRA and CCRP registers are used for period and duty control of the PWM waveform.

Bit 0 **ST0CCLR**: Select STM0 Counter clear condition

- 0: STM0 Comparator P match
- 1: STM0 Comparator A match

This bit is used to select the method which clears the counter. Remember that the Standard TM contains two comparators, Comparator A and Comparator P, either of which can be selected to clear the internal counter. With the ST0CCLR bit set high, the counter will be cleared when a compare match occurs from the Comparator A. When the bit is low, the counter will be cleared when a compare match occurs from the Comparator P or with a counter overflow. A counter overflow clearing method can only be implemented if the CCRP bits are all cleared to zero. The ST0CCLR bit is not used in the PWM output mode, Single Pulse or Input Capture Mode.

• **STM0DL Register**

Bit	7	6	5	4	3	2	1	0
Name	D7	D6	D5	D4	D3	D2	D1	D0
R/W	R	R	R	R	R	R	R	R
POR	0	0	0	0	0	0	0	0

Bit 7~0     **D7~D0:** STM0 Counter Low Byte Register bit 7 ~ bit 0  
STM0 10-bit Counter bit 7 ~ bit 0

• **STM0DH Register**

Bit	7	6	5	4	3	2	1	0
Name	—	—	—	—	—	—	D9	D8
R/W	—	—	—	—	—	—	R	R
POR	—	—	—	—	—	—	0	0

Bit 7~2     Unimplemented, read as "0"  
Bit 1~0     **D9~D8:** STM0 Counter High Byte Register bit 1 ~ bit 0  
STM0 10-bit Counter bit 9 ~ bit 8

• **STM0AL Register**

Bit	7	6	5	4	3	2	1	0
Name	D7	D6	D5	D4	D3	D2	D1	D0
R/W	R/W	R/W	R/W	R/W	R/W	R/W	R/W	R/W
POR	0	0	0	0	0	0	0	0

Bit 7~0     **D7~D0:** STM0 CCRA Low Byte Register bit 7 ~ bit 0  
STM0 10-bit CCRA bit 7 ~ bit 0

• **STM0AH Register**

Bit	7	6	5	4	3	2	1	0
Name	—	—	—	—	—	—	D9	D8
R/W	—	—	—	—	—	—	R/W	R/W
POR	—	—	—	—	—	—	0	0

Bit 7~2     Unimplemented, read as "0"  
Bit 1~0     **D9~D8:** STM0 CCRA High Byte Register bit 1 ~ bit 0  
STM0 10-bit CCRA bit 9 ~ bit 8

## **Standard Type TM Operating Modes**

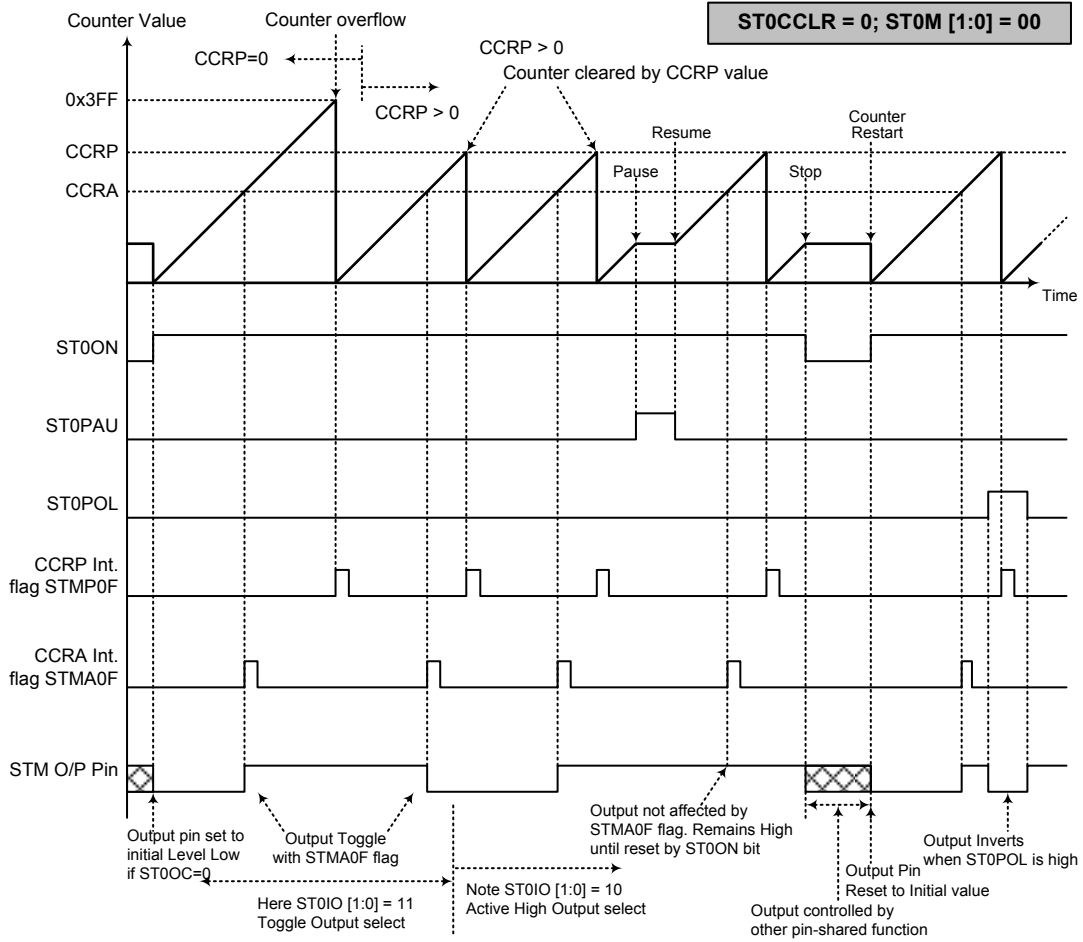
The Standard Type TM can operate in one of five operating modes, Compare Match Output Mode, PWM Output Mode, Single Pulse Output Mode, Capture Input Mode or Timer/Counter Mode. The operating mode is selected using the ST0M1 and ST0M0 bits in the STM0C1 register.

### **Compare Output Mode**

To select this mode, bits ST0M1 and ST0M0 in the STM0C1 register, should be set to 00 respectively. In this mode once the counter is enabled and running it can be cleared by three methods. These are a counter overflow, a compare match from Comparator A and a compare match from Comparator P. When the ST0CCLR bit is low, there are two ways in which the counter can be cleared. One is when a compare match from Comparator P, the other is when the CCRP bits are all zero which allows the counter to overflow. Here both STMA0F and STMP0F interrupt request flags for Comparator A and Comparator P respectively, will both be generated.

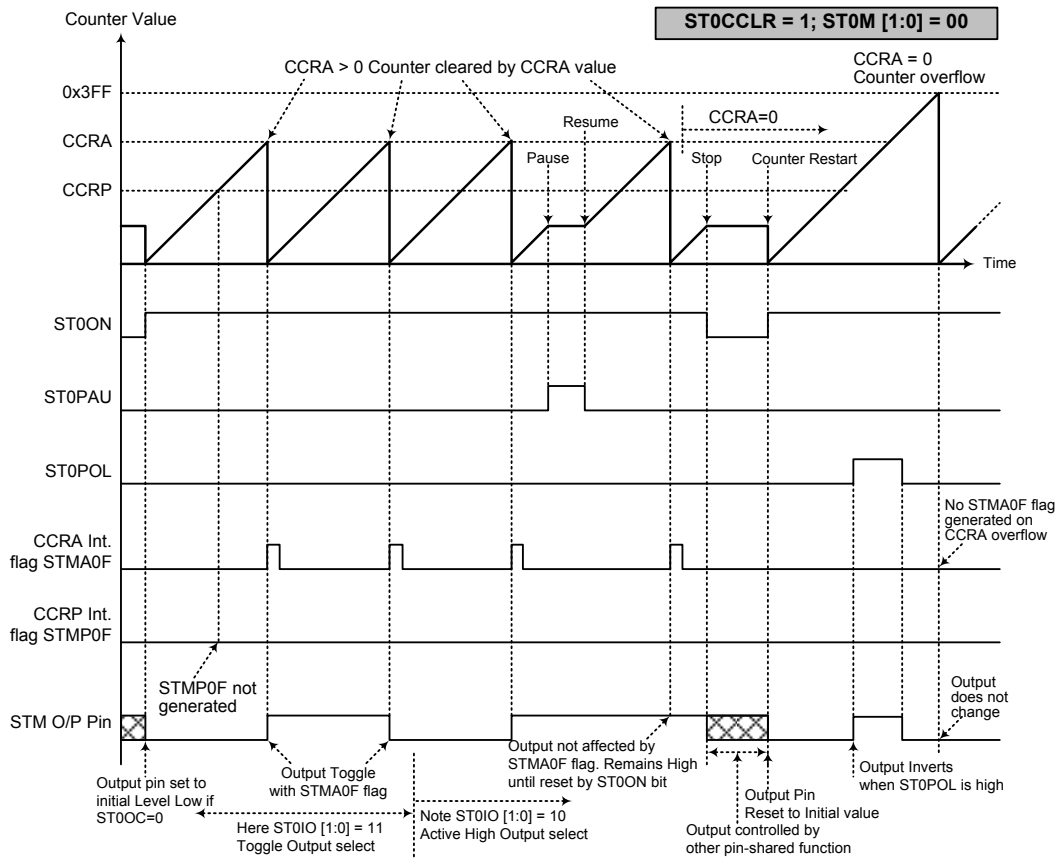
If the ST0CCLR bit in the STM0C1 register is high then the counter will be cleared when a compare match occurs from Comparator A. However, here only the STMA0F interrupt request flag will be generated even if the value of the CCRP bits is less than that of the CCRA registers. Therefore when ST0CCLR is high no STMP0F interrupt request flag will be generated. In the Compare Match Output Mode, the CCRA can not be set to "0". If the CCRA bits are all zero, the counter will overflow when it reaches its maximum 10-bit, 3FF Hex, value, however here the STMA0F interrupt request flag will not be generated.

As the name of the mode suggests, after a comparison is made, the STM output pin, will change state. The STM output pin condition however only changes state when an STMA0F interrupt request flag is generated after a compare match occurs from Comparator A. The STMP0F interrupt request flag, generated from a compare match occurs from Comparator P, will have no effect on the STM output pin. The way in which the STM output pin changes state are determined by the condition of the ST0IO1 and ST0IO0 bits in the STM0C1 register. The STM output pin can be selected using the ST0IO1 and ST0IO0 bits to go high, to go low or to toggle from its present condition when a compare match occurs from Comparator A. The initial condition of the STM output pin, which is setup after the ST0ON bit changes from low to high, is setup using the ST0OC bit. Note that if the ST0IO1 and ST0IO0 bits are zero then no pin change will take place.



**Compare Match Output Mode – ST0CCLR=0**

- Note: 1. With ST0CCLR=0 a Comparator P match will clear the counter  
 2. The TM output pin controlled only by the STMA0F flag  
 3. The output pin reset to initial state by a ST0ON bit rising edge



**Compare Match Output Mode – ST0CCLR=1**

- Note: 1. With ST0CCLR=1 a Comparator A match will clear the counter  
 2. The TM output pin controlled only by the STMA0F flag  
 3. The output pin reset to initial state by a ST0ON rising edge  
 4. The STMP0F flag is not generated when ST0CCLR=1

### Timer/Counter Mode

To select this mode, bits ST0M1 and ST0M0 in the STM0C1 register should be set to 11 respectively. The Timer/Counter Mode operates in an identical way to the Compare Match Output Mode generating the same interrupt flags. The exception is that in the Timer/Counter Mode the STM output pin is not used. Therefore the above description and Timing Diagrams for the Compare Match Output Mode can be used to understand its function. As the STM output pin is not used in this mode, the pin can be used as a normal I/O pin or other pin-shared function by setting pin-share function register.

### PWM Output Mode

To select this mode, bits ST0M1 and ST0M0 in the STM0C1 register should be set to 10 respectively and also the ST0IO1 and ST0IO0 bits should be set to 10 respectively. The PWM function within the STM is useful for applications which require functions such as motor control, heating control, illumination control etc. By providing a signal of fixed frequency but of varying duty cycle on the STM output pin, a square wave AC waveform can be generated with varying equivalent DC RMS values.

As both the period and duty cycle of the PWM waveform can be controlled, the choice of generated waveform is extremely flexible. In the PWM output mode, the ST0CCLR bit has no effect as the PWM period. Both of the CCRA and CCRP registers are used to generate the PWM waveform, one register is used to clear the internal counter and thus control the PWM waveform frequency, while the other one is used to control the duty cycle. Which register is used to control either frequency or duty cycle is determined using the ST0DPX bit in the STM0C1 register. The PWM waveform frequency and duty cycle can therefore be controlled by the values in the CCRA and CCRP registers.

An interrupt flag, one for each of the CCRA and CCRP, will be generated when a compare match occurs from either Comparator A or Comparator P. The ST0OC bit in the STM0C1 register is used to select the required polarity of the PWM waveform while the two ST0IO1 and ST0IO0 bits are used to enable the PWM output or to force the STM output pin to a fixed high or low level. The ST0POL bit is used to reverse the polarity of the PWM output waveform.

#### • 10-bit STM, PWM Output Mode, Edge-aligned Mode, ST0DPX=0

CCRP	001b	010b	011b	100b	101b	110b	111b	000b
Period	128	256	384	512	640	768	896	1024
Duty	CCRA							

If  $f_{SYS}=8\text{MHz}$ , TM clock source is  $f_{SYS}/4$ , CCRP=100b and CCRA=128,

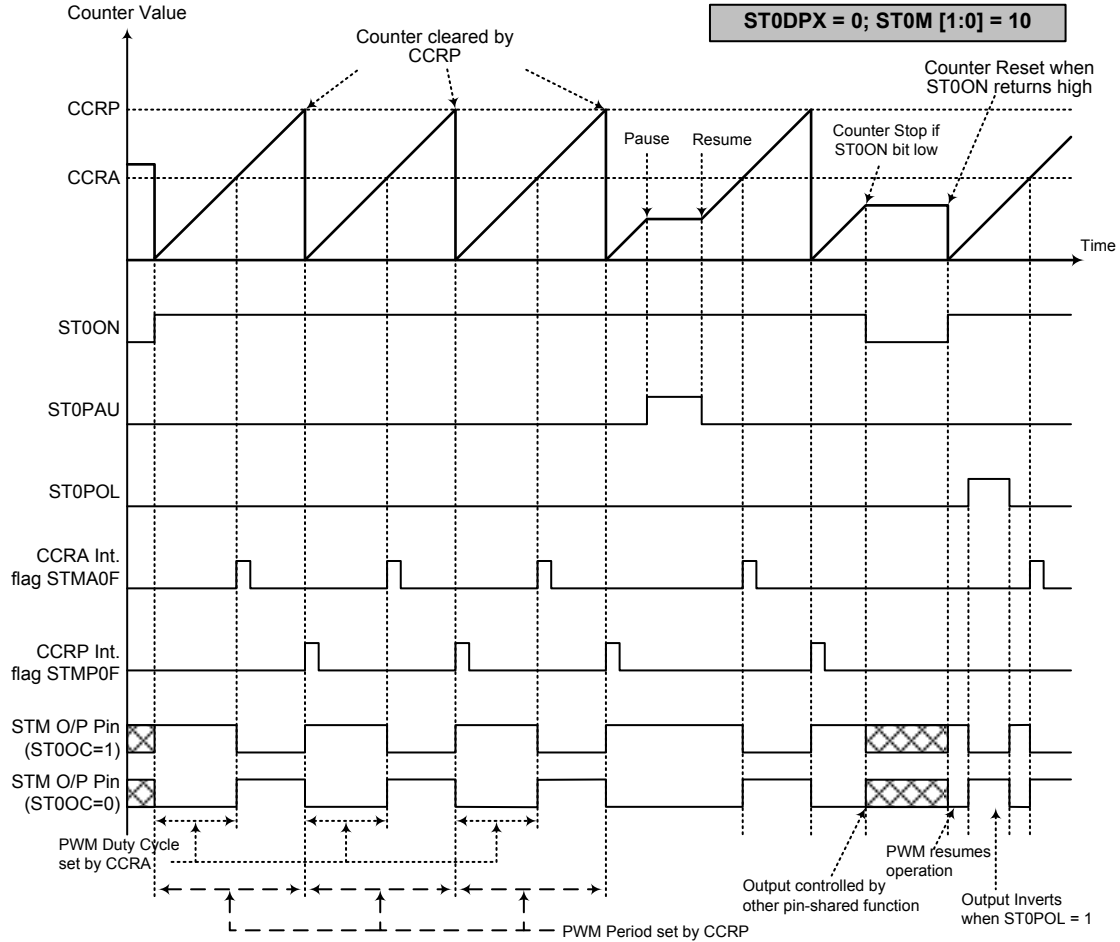
The STM PWM output frequency =  $(f_{SYS}/4)/512 = f_{SYS}/2048 = 4\text{kHz}$ , duty =  $128/512 = 25\%$ .

If the Duty value defined by the CCRA register is equal to or greater than the Period value, then the PWM output duty is 100%.

#### • 10-bit STM, PWM Output Mode, Edge-aligned Mode, ST0DPX=1

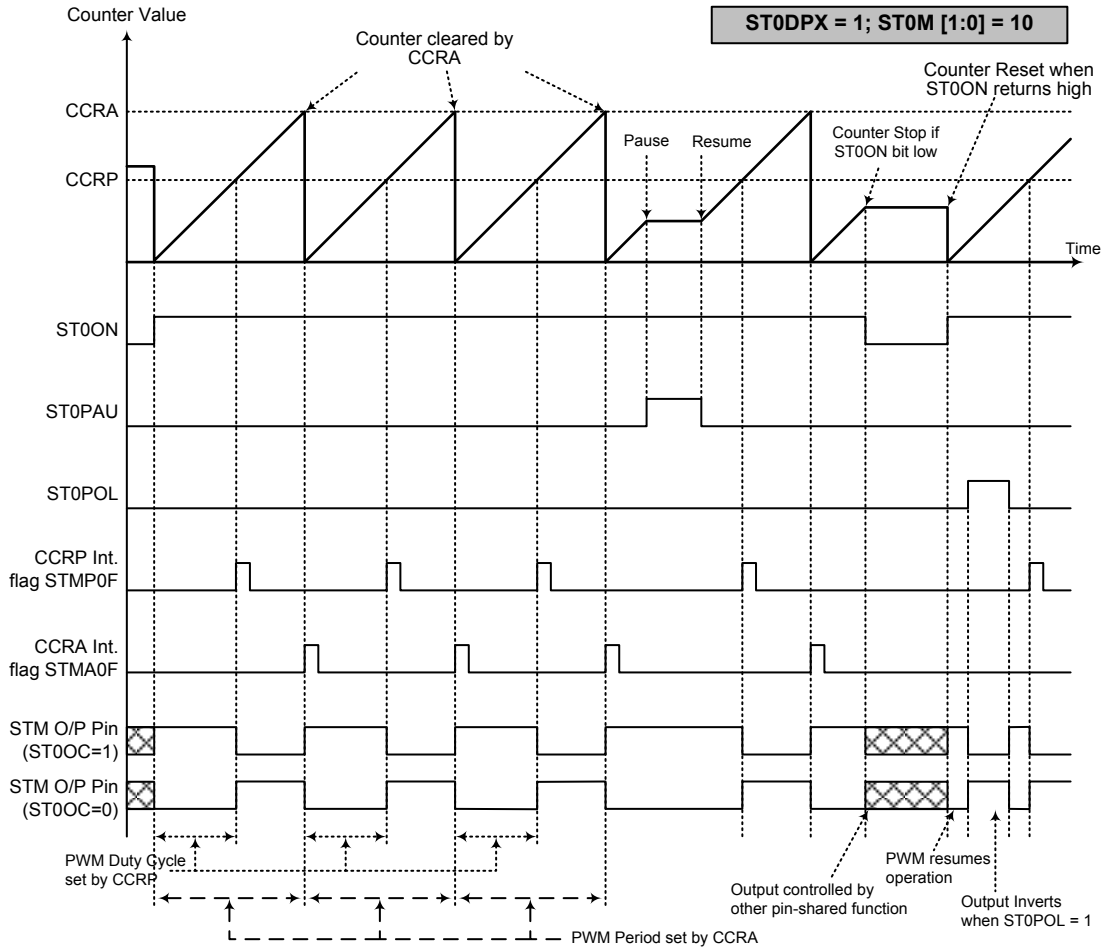
CCRP	001b	010b	011b	100b	101b	110b	111b	000b
Period	CCRA							
Duty	128	256	384	512	640	768	896	1024

The PWM output period is determined by the CCRA register value together with the STM clock while the PWM duty cycle is defined by the CCRP register value.



**PWM Output Mode – ST0DPX=0**

- Note: 1. Here ST0DPX=0 – Counter cleared by CCRP  
 2. A counter clear sets PWM Period  
 3. The internal PWM function continues running even when ST0IO[1:0]=00 or 01  
 4. The ST0CCLR bit has no influence on PWM operation



**PWM Output Mode – ST0DPX=1**

- Note: 1. Here ST0DPX=1 – Counter cleared by CCRA  
 2. A counter clear sets PWM Period  
 3. The internal PWM function continues even when ST0IO[1:0]=00 or 01  
 4. The ST0CCLR bit has no influence on PWM operation

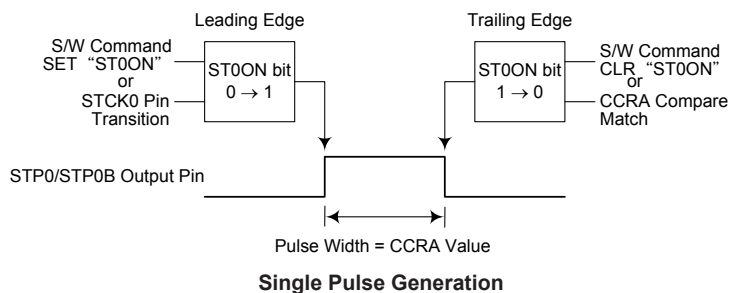


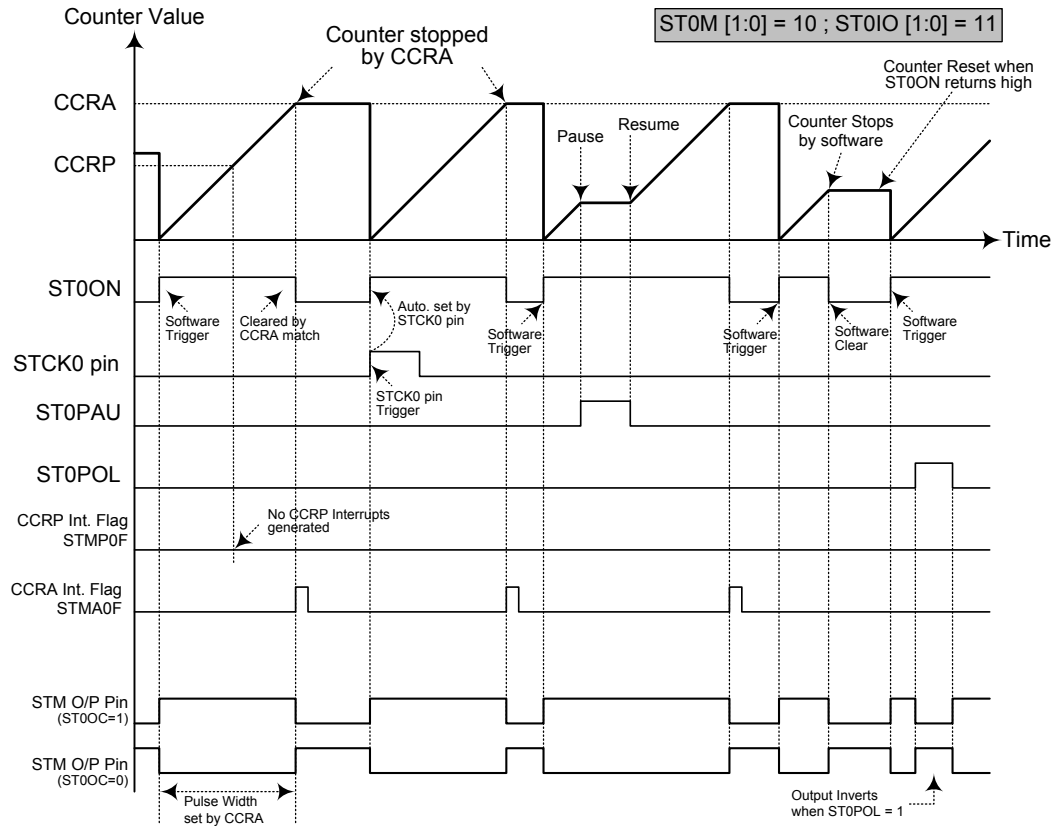
### Single Pulse Mode

To select this mode, bits ST0M1 and ST0M0 in the STM0C1 register should be set to 10 respectively and also the ST0IO1 and ST0IO0 bits should be set to 11 respectively. The Single Pulse Output Mode, as the name suggests, will generate a single shot pulse on the STM output pin.

The trigger for the pulse output leading edge is a low to high transition of the ST0ON bit, which can be implemented using the application program. However in the Single Pulse Mode, the ST0ON bit can also be made to automatically change from low to high using the external STCK0 pin, which will in turn initiate the Single Pulse output. When the ST0ON bit transitions to a high level, the counter will start running and the pulse leading edge will be generated. The ST0ON bit should remain high when the pulse is in its active state. The generated pulse trailing edge will be generated when the ST0ON bit is cleared to zero, which can be implemented using the application program or when a compare match occurs from Comparator A.

However a compare match from Comparator A will also automatically clear the ST0ON bit and thus generate the Single Pulse output trailing edge. In this way the CCRA value can be used to control the pulse width. A compare match from Comparator A will also generate a STM interrupt. The counter can only be reset back to zero when the ST0ON bit changes from low to high when the counter restarts. In the Single Pulse Mode CCRP is not used. The ST0CCLR and ST0DPX bits are not used in this Mode.





**Single Pulse Mode**

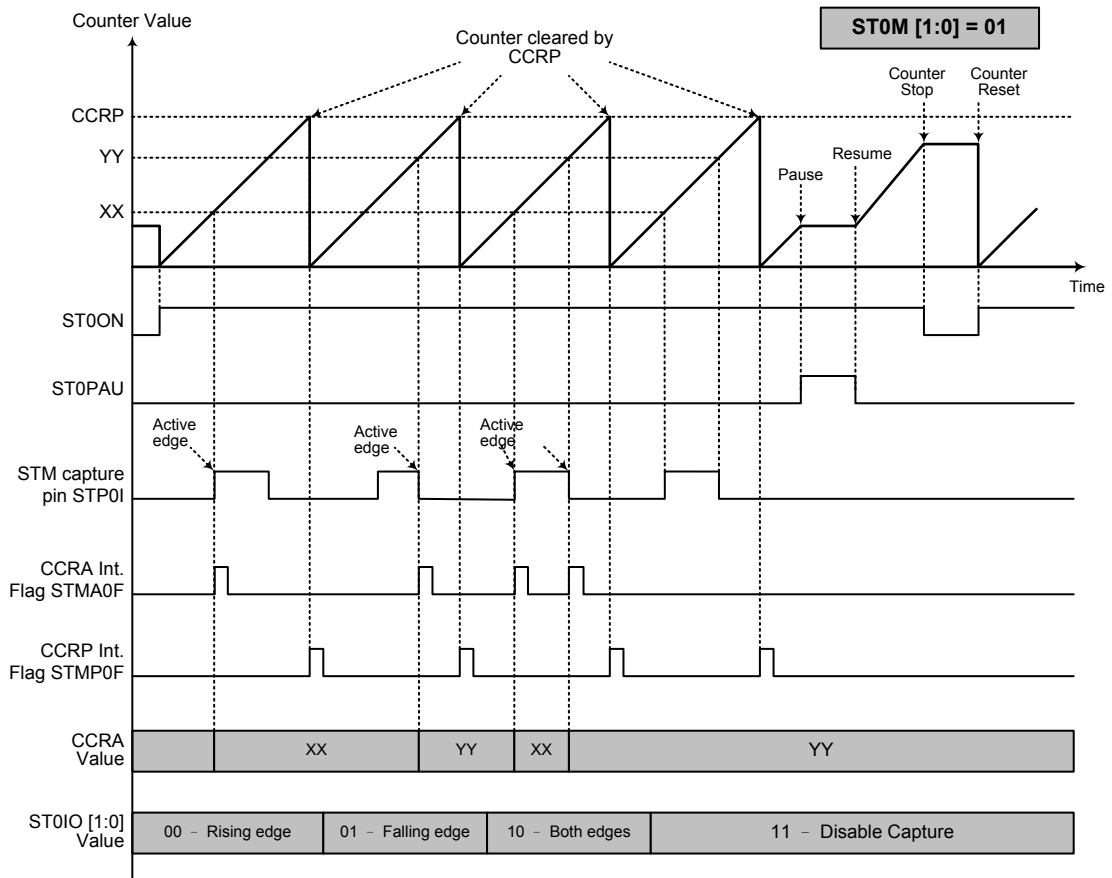
- Note: 1. Counter stopped by CCRA match  
 2. CCRP is not used  
 3. The pulse is triggered by setting the ST0ON bit high  
 4. In the Single Pulse Mode, ST0IO [1:0] must be set to "11" and can not be changed.

### **Capture Input Mode**

To select this mode bits ST0M1 and ST0M0 in the STM0C1 register should be set to 01 respectively. This mode enables external signals to capture and store the present value of the internal counter and can therefore be used for applications such as pulse width measurements. The external signal is supplied on the STP0I, whose active edge can be either a rising edge, a falling edge or both rising and falling edges; the active edge transition type is selected using the ST0IO1 and ST0IO0 bits in the STM0C1 register. The counter is started when the ST0ON bit changes from low to high which is initiated using the application program.

When the required edge transition appears on the STP0I the present value in the counter will be latched into the CCRA registers and a STM interrupt generated. Irrespective of what events occur on the STP0I the counter will continue to free run until the ST0ON bit changes from high to low. When a CCRP compare match occurs the counter will reset back to zero; in this way the CCRP value can be used to control the maximum counter value. When a CCRP compare match occurs from Comparator P, a STM interrupt will also be generated. Counting the number of overflow interrupt signals from the CCRP can be a useful method in measuring long pulse widths. The ST0IO1 and ST0IO0 bits can select the active trigger edge on the STP0I to be a rising edge, falling edge or both edge types. If the ST0IO1 and ST0IO0 bits are both set high, then no capture operation will take place irrespective of what happens on the STP0I, however it must be noted that the counter will continue to run.

The ST0CCLR and ST0DPX bits are not used in this Mode.



**Capture Input Mode**

- Note: 1. ST0M[1:0]=01 and active edge set by the ST0IO[1:0] bits  
 2. A TM Capture input pin active edge transfers the counter value to CCRA  
 3. The ST0CCLR and ST0DPX bits are not used  
 4. No output function – ST0OC and ST0POL bits are not used  
 5. CCRP determines the counter value and the counter has a maximum count value when CCRP is equal to zero.

## Periodic Type TM – PTM

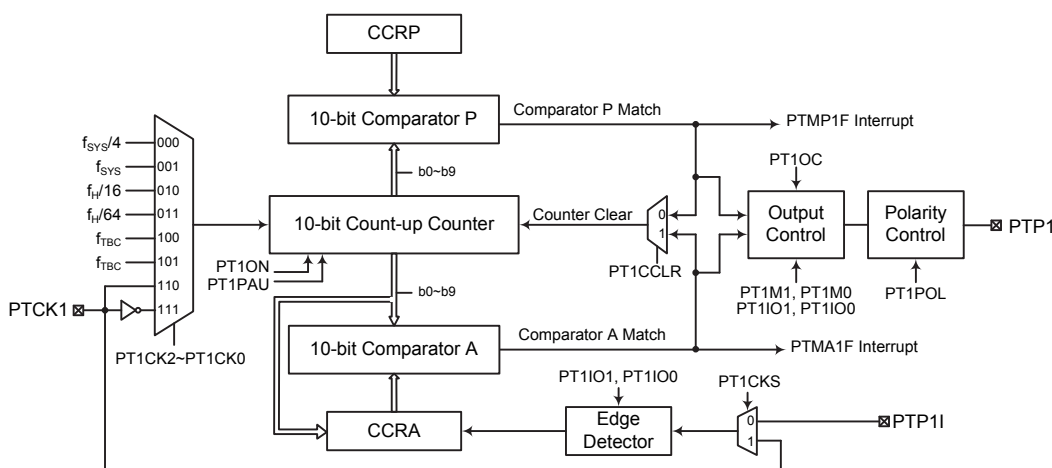
The Periodic Type TM contains five operating modes, which are Compare Match Output, Timer/Event Counter, Capture Input, Single Pulse Output and PWM Output modes. The Periodic TM can also be controlled with two external input pins and can drive two external output pins.

TM Type	TM Name	TM Input Pin	TM Output Pin
10-bit PTM	PTM1	PTCK1, PTP1I	PTP1

### Periodic TM Operation

At its core is a 10-bit count-up counter which is driven by a user selectable internal or external clock source. There are two internal comparators with the names, Comparator A and Comparator P. These comparators will compare the value in the counter with the CCRA and CCRP registers.

The only way of changing the value of the 10-bit counter using the application program, is to clear the counter by changing the PT1ON bit from low to high. The counter will also be cleared automatically by a counter overflow or a compare match with one of its associated comparators. When these conditions occur, a TM interrupt signal will also usually be generated. The Periodic Type TM can operate in a number of different operational modes, can be driven by different clock sources including an input pin and can also control the output pin. All operating setup conditions are selected using relevant internal registers.



Note: The PTM1 external pins are pin-shared with other functions, so before using the PTM1 functions, the pin-shared function registers must be set properly to enable the PTM1 pin function. The PTCK1 and PTP1I pins, if used, must also be set as an input by setting the corresponding bits in the port control register.

**Periodic Type TM Block Diagram**

### Periodic Type TM Register Description

Overall operation of the Periodic TM is controlled using a series of registers. A read only register pair exists to store the internal counter 10-bit value, while two read/write register pairs exist to store the internal 10-bit CCRA and CCRP value. The remaining two registers are control registers which setup the different operating and control modes.

Register Name	Bit							
	7	6	5	4	3	2	1	0
PTM1C0	PT1PAU	PT1CK2	PT1CK1	PT1CK0	PT1ON	—	—	—
PTM1C1	PT1M1	PT1M0	PT1IO1	PT1IO0	PT1OC	PT1POL	PT1CKS	PT1CCLR
PTM1DL	D7	D6	D5	D4	D3	D2	D1	D0
PTM1DH	—	—	—	—	—	—	D9	D8
PTM1AL	D7	D6	D5	D4	D3	D2	D1	D0
PTM1AH	—	—	—	—	—	—	D9	D8
PTM1RPL	D7	D6	D5	D4	D3	D2	D1	D0
PTM1RPH	—	—	—	—	—	—	D9	D8

**10-bit Periodic TM Register List**

#### • PTM1C0 Register

Bit	7	6	5	4	3	2	1	0
Name	PT1PAU	PT1CK2	PT1CK1	PT1CK0	PT1ON	—	—	—
R/W	R/W	R/W	R/W	R/W	R/W	—	—	—
POR	0	0	0	0	0	—	—	—

Bit 7 **PT1PAU**: PTM1 Counter Pause Control

0: Run  
1: Pause

The counter can be paused by setting this bit high. Clearing the bit to zero restores normal counter operation. When in a Pause condition the TM will remain powered up and continue to consume power. The counter will retain its residual value when this bit changes from low to high and resume counting from this value when the bit changes to a low value again.

Bit 6~4 **PT1CK2~PT1CK0**: Select PTM1 Counter clock

000:  $f_{SYS}/4$   
001:  $f_{SYS}$   
010:  $f_{iH}/16$   
011:  $f_{iH}/64$   
100:  $f_{TBC}$   
101:  $f_{TBC}$   
110: PTCK1 rising edge clock  
111: PTCK1 falling edge clock

These three bits are used to select the clock source for the TM. The external pin clock source can be chosen to be active on the rising or falling edge. The clock source  $f_{SYS}$  is the system clock, while  $f_{TBC}$  is another internal clock, the details of which can be found in the oscillator section.

Bit 3 **PT1ON**: PTM1 Counter On/Off Control

0: Off  
1: On

This bit controls the overall on/off function of the TM. Setting the bit high enables the counter to run, clearing the bit disables the TM. Clearing this bit to zero will stop the counter from counting and turn off the TM which will reduce its power consumption. When the bit changes state from low to high the internal counter value will be reset to zero, however when the bit changes from high to low, the internal counter will retain its residual value until the bit returns high again.

If the TM is in the Compare Match Output Mode then the TM output pin will be reset to its initial condition, as specified by the TM Output control bit, when the bit changes from low to high.

Bit 2~0 Unimplemented, read as "0"

• **PTM1C1 Register**

Bit	7	6	5	4	3	2	1	0
Name	PT1M1	PT1M0	PT1IO1	PT1IO0	PT1OC	PT1POL	PT1CKS	PT1CCLR
R/W	R/W	R/W	R/W	R/W	R/W	R/W	R/W	R/W
POR	0	0	0	0	0	0	0	0

Bit 7~6 **PT1M1~ PT1M0**: Select PTM1 Operation Mode  
 00: Compare Match Output Mode  
 01: Capture Input Mode  
 10: PWM Output Mode or Single Pulse Output Mode  
 11: Timer/Counter Mode

These bits setup the required operating mode for the TM. To ensure reliable operation the TM should be switched off before any changes are made to the PT1M1 and PT1M0 bits. In the Timer/Counter Mode, the PTM output pin state is undefined.

Bit 5~4 **PT1IO1~ PT1IO0**: Select PTM1 External Pin Function

Compare Match Output Mode

- 00: No change
- 01: Output low
- 10: Output high
- 11: Toggle output

PWM Mode/Single Pulse Output Mode

- 00: PWM Output inactive state
- 01: PWM Output active state
- 10: PWM output
- 11: Single pulse output

Capture Input Mode

- 00: Input capture at rising edge of PTP1I or PTCK1
- 01: Input capture at falling edge of PTP1I or PTCK1
- 10: Input capture at falling/rising edge of PTP1I or PTCK1
- 11: Input capture disabled

Timer/counter Mode

Unused

These two bits are used to determine how the TM external pin changes state when a certain condition is reached. The function that these bits select depends upon in which mode the TM is running.

In the Compare Match Output Mode, the PT1IO1 and PT1IO0 bits determine how the TM output pin changes state when a compare match occurs from the Comparator A. The TM output pin can be setup to switch high, switch low or to toggle its present state when a compare match occurs from the Comparator A. When these bits are both zero, then no change will take place on the output. The initial value of the TM output pin should be setup using the PT1OC bit. Note that the output level requested by the PT1IO1 and PT1IO0 bits must be different from the initial value setup using the PT1OC bit otherwise no change will occur on the TM output pin when a compare match occurs. After the TM output pin changes state, it can be reset to its initial level by changing the level of the PT1ON bit from low to high.

In the PWM Output Mode, the PT1IO1 and PT1IO0 bits determine how the TM output pin changes state when a certain compare match condition occurs. The PWM output function is modified by changing these two bits. It is necessary to change the values of the PT1IO1 and PT1IO0 bits only after the TM has been switched off. Unpredictable PWM outputs will occur if the PT1IO1 and PT1IO0 bits are changed when the TM is running.

- Bit 3     **PTIOC**: PTP1 Output control bit  
 Compare Match Output Mode  
     0: Initial low  
     1: Initial high  
 PWM Mode/ Single Pulse Output Mode  
     0: Active low  
     1: Active high  
 This is the output control bit for the TM output pin. Its operation depends upon whether TM is being used in the Compare Match Output Mode or in the PWM Mode/ Single Pulse Output Mode. It has no effect if the TM is in the Timer/Counter Mode. In the Compare Match Output Mode it determines the logic level of the TM output pin before a compare match occurs. In the PWM Mode it determines if the PWM signal is active high or active low.
- Bit 2     **PTIPOL**: PTP1 Output polarity Control  
     0: non-inverted  
     1: inverted  
 This bit controls the polarity of the PTP1 output pin. When the bit is set high the TM output pin will be inverted and not inverted when the bit is zero. It has no effect if the PTM1 is in the Timer/Counter Mode.
- Bit 1     **PTICKS**: PTM1 capture trigger source select  
     0: From PTP1I  
     1: From PTCK1 pin
- Bit 0     **PTICCLR**: Select PTM1 Counter clear condition  
     0: PTM Comparatror P match  
     1: PTM Comparatror A match  
 This bit is used to select the method which clears the counter. Remember that the Periodic TM contains two comparators, Comparator A and Comparator P, either of which can be selected to clear the internal counter. With the PTICCLR bit set high, the counter will be cleared when a compare match occurs from the Comparator A. When the bit is low, the counter will be cleared when a compare match occurs from the Comparator P or with a counter overflow. A counter overflow clearing method can only be implemented if the CCRP bits are all cleared to zero. The PTICCLR bit is not used in the PWM, Single Pulse or Input Capture Mode.

• **PTM1DL Register**

Bit	7	6	5	4	3	2	1	0
Name	D7	D6	D5	D4	D3	D2	D1	D0
R/W	R	R	R	R	R	R	R	R
POR	0	0	0	0	0	0	0	0

- Bit 7~0     **PTM1DL**: PTM1 Counter Low Byte Register bit 7 ~ bit 0  
 PTM1 10-bit Counter bit 7 ~ bit 0

• **PTM1DH Register**

Bit	7	6	5	4	3	2	1	0
Name	—	—	—	—	—	—	D9	D8
R/W	—	—	—	—	—	—	R	R
POR	—	—	—	—	—	—	0	0

- Bit 7~2     Unimplemented, read as "0"  
 Bit 1~0     **PTM1DH**: PTM1 Counter High Byte Register bit 1 ~ bit 0  
 PTM1 10-bit Counter bit 9 ~ bit 8



• **PTM1AL Register**

Bit	7	6	5	4	3	2	1	0
Name	D7	D6	D5	D4	D3	D2	D1	D0
R/W	R/W	R/W	R/W	R/W	R/W	R/W	R/W	R/W
POR	0	0	0	0	0	0	0	0

Bit 7~0 **PTM1AL**: PTM1 CCRA Low Byte Register bit 7 ~ bit 0  
 PTM1 10-bit CCRA bit 7 ~ bit 0

• **PTM1AH Register**

Bit	7	6	5	4	3	2	1	0
Name	—	—	—	—	—	—	D9	D8
R/W	—	—	—	—	—	—	R/W	R/W
POR	—	—	—	—	—	—	0	0

Bit 7~2 Unimplemented, read as "0"  
 Bit 1~0 **PTM1AH**: PTM1 CCRA High Byte Register bit 1 ~ bit 0  
 PTM1 10-bit CCRA bit 9 ~ bit 8

• **PTM1RPL Register**

Bit	7	6	5	4	3	2	1	0
Name	D7	D6	D5	D4	D3	D2	D1	D0
R/W	R/W	R/W	R/W	R/W	R/W	R/W	R/W	R/W
POR	0	0	0	0	0	0	0	0

Bit 7~0 **PTM1RPL**: PTM1 CCRP Low Byte Register bit 7 ~ bit 0  
 PTM1 10-bit CCRP bit 7 ~ bit 0

• **PTM1RPH Register**

Bit	7	6	5	4	3	2	1	0
Name	—	—	—	—	—	—	D9	D8
R/W	—	—	—	—	—	—	R/W	R/W
POR	—	—	—	—	—	—	0	0

Bit 7~2 Unimplemented, read as "0"  
 Bit 1~0 **PTM1RPH**: PTM1 CCRP High Byte Register bit 1 ~ bit 0  
 PTM1 10-bit CCRP bit 9 ~ bit 8

## Periodic Type TM Operating Modes

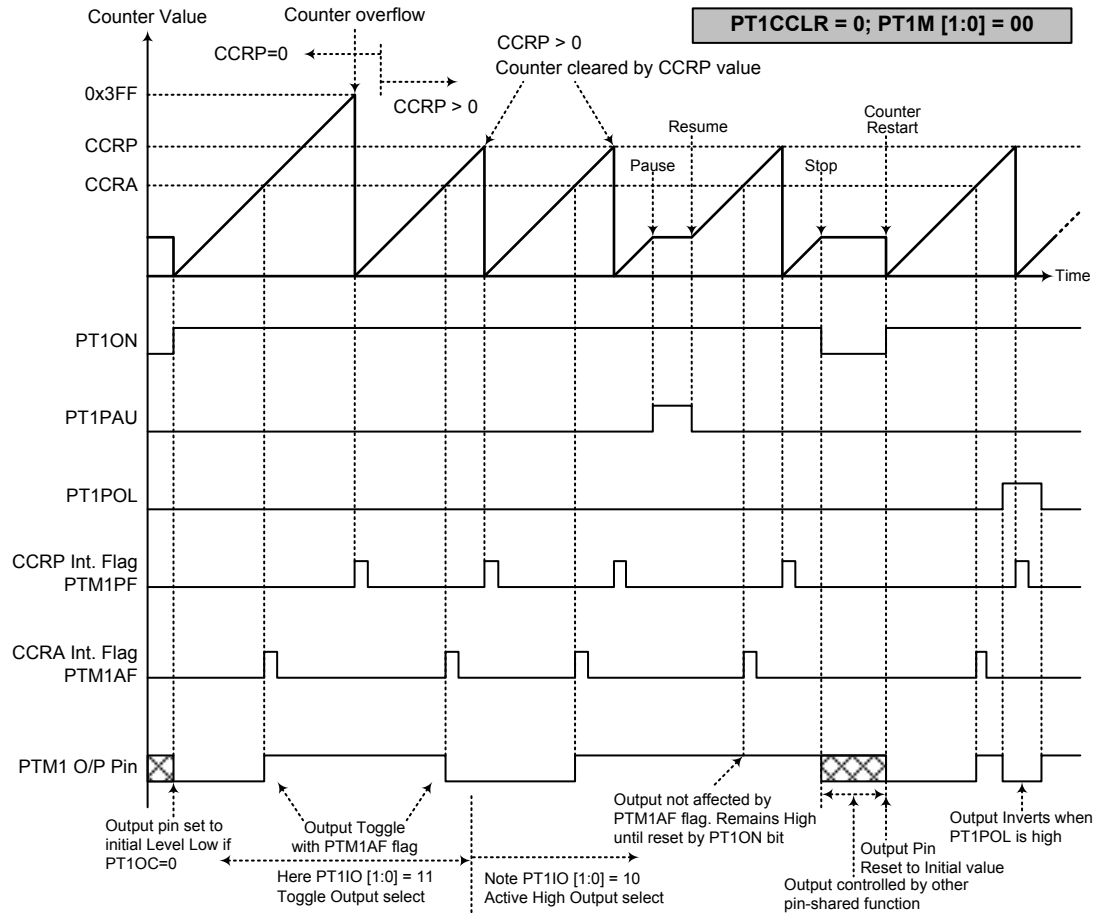
The Periodic Type TM can operate in one of five operating modes, Compare Match Output Mode, PWM Output Mode, Single Pulse Output Mode, Capture Input Mode or Timer/Counter Mode. The operating mode is selected using the PT1M1 and PT1M0 bits in the PTM1C1 register.

### Compare Match Output Mode

To select this mode, bits PT1M1 and PT1M0 in the PTM1C1 register, should be all cleared to 00 respectively. In this mode once the counter is enabled and running it can be cleared by three methods. These are a counter overflow, a compare match from Comparator A and a compare match from Comparator P. When the PT1CCLR bit is low, there are two ways in which the counter can be cleared. One is when a compare match occurs from Comparator P, the other is when the CCRP bits are all zero which allows the counter to overflow. Here both the PTMA1F and PTMP1F interrupt request flags for Comparator A and Comparator P respectively, will both be generated.

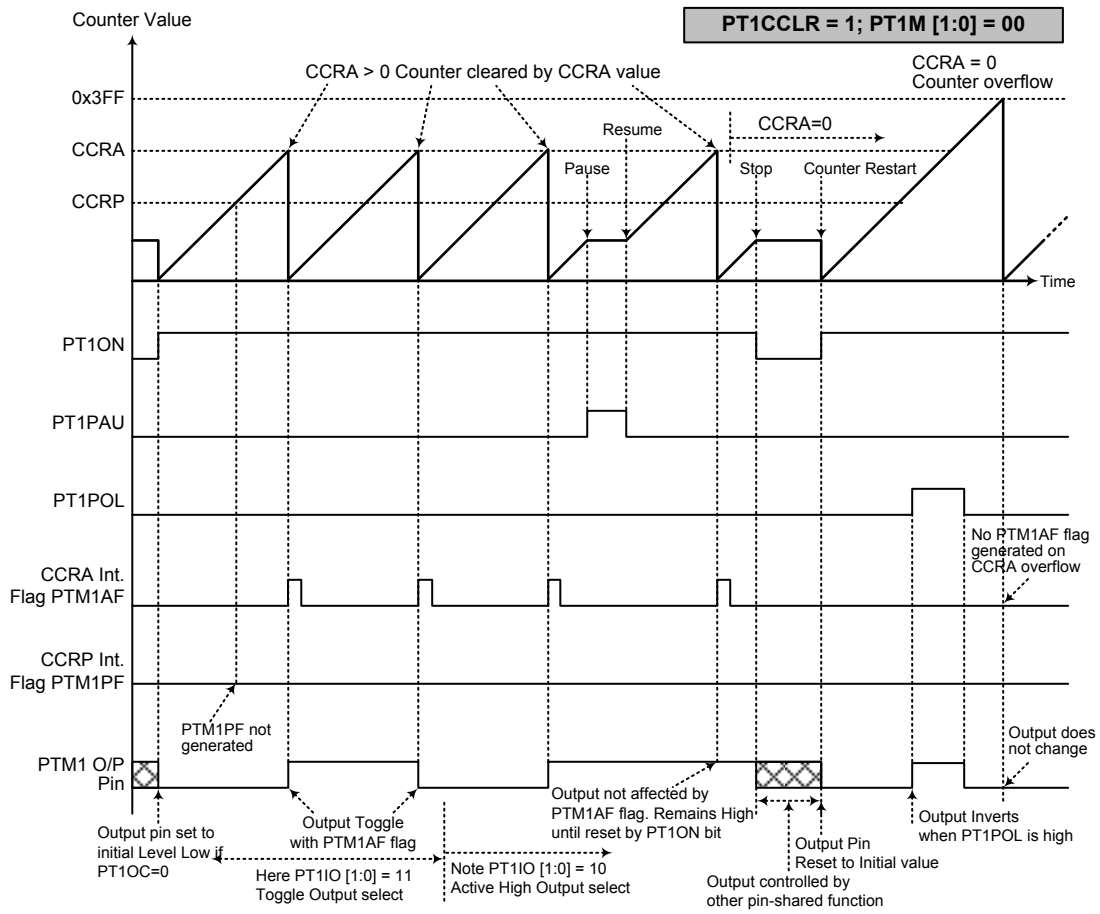
If the PT1CCLR bit in the PTM1C1 register is high then the counter will be cleared when a compare match occurs from Comparator A. However, here only the PTMA1F interrupt request flag will be generated even if the value of the CCRP bits is less than that of the CCRA registers. Therefore when PT1CCLR is high no PTMP1F interrupt request flag will be generated. In the Compare Match Output Mode, the CCRA can not be set to "0". If the CCRA bits are all zero, the counter will overflow when it reaches its maximum 10-bit, 3FF Hex, value, however here the PTMA1F interrupt request flag will not be generated.

As the name of the mode suggests, after a comparison is made, the TM output pin, will change state. The TM output pin condition however only changes state when a PTMA1F interrupt request flag is generated after a compare match occurs from Comparator A. The PTMP1F interrupt request flag, generated from a compare match from Comparator P, will have no effect on the TM output pin. The way in which the TM output pin changes state are determined by the condition of the PT1IO1 and PT1IO0 bits in the PTM1C1 register. The TM output pin can be selected using the PT1IO1 and PT1IO0 bits to go high, to go low or to toggle from its present condition when a compare match occurs from Comparator A. The initial condition of the TM output pin, which is setup after the PT1ON bit changes from low to high, is setup using the PT1OC bit. Note that if the PT1IO1, PT1IO0 bits are zero then no pin change will take place.



**Compare Match Output Mode – PT1CCLR=0**

- Note: 1. With PT1CCLR=0 – a Comparator P match will clear the counter  
 2. The TM output pin is controlled only by the PTMA1F flag  
 3. The output pin is reset to initial state by a PT1ON bit rising edge



**Compare Match Output Mode – PT1CCLR=1**

- Note: 1. With  $PT1CCLR=1$  – a Comparator A match will clear the counter  
 2. The TM output pin is controlled only by the  $PTM1AF$  flag  
 3. The output pin is reset to initial state by a  $PT1ON$  rising edge  
 4. The  $PTM1PF$  flag is not generated when  $PT1CCLR=1$

**Timer/Counter Mode**

To select this mode, bits PT1M1 and PT1M0 in the PTM1C1 register should all be set to 11 respectively. The Timer/Counter Mode operates in an identical way to the Compare Match Output Mode generating the same interrupt flags. The exception is that in the Timer/Counter Mode the TM output pin is not used. Therefore the above description and Timing Diagrams for the Compare Match Output Mode can be used to understand its function. As the TM output pin is not used in this mode, the pin can be used as a normal I/O pin or other pin-shared function.

**PWM Output Mode**

To select this mode, bits PT1M1 and PT1M0 in the PTM1C1 register should be set to 10 respectively and also the PT1IO1 and PT1IO0 bits should be set to 10 respectively. The PWM function within the TM is useful for applications which require functions such as motor control, heating control, illumination control etc. By providing a signal of fixed frequency but of varying duty cycle on the TM output pin, a square wave AC waveform can be generated with varying equivalent DC RMS values.

As both the period and duty cycle of the PWM waveform can be controlled, the choice of generated waveform is extremely flexible. In the PWM mode, the PT1CCLR bit has no effect as the PWM period. Both of the CCRP and CCRA registers are used to generate the PWM waveform, CCRP register pair is used to clear the internal counter and thus control the PWM waveform frequency, while the CCRA register pair is used to control the duty cycle. The PWM waveform frequency and duty cycle can therefore be controlled by the values in the CCRA and CCRP registers.

An interrupt flag, one for each of the CCRA and CCRP, will be generated when a compare match occurs from either Comparator A or Comparator P. The PT1OC bit in the PTM1C1 register is used to select the required polarity of the PWM waveform while the two PT1IO1 and PT1IO0 bits are used to enable the PWM output or to force the TM output pin to a fixed high or low level. The PT1POL bit is used to reverse the polarity of the PWM output waveform.

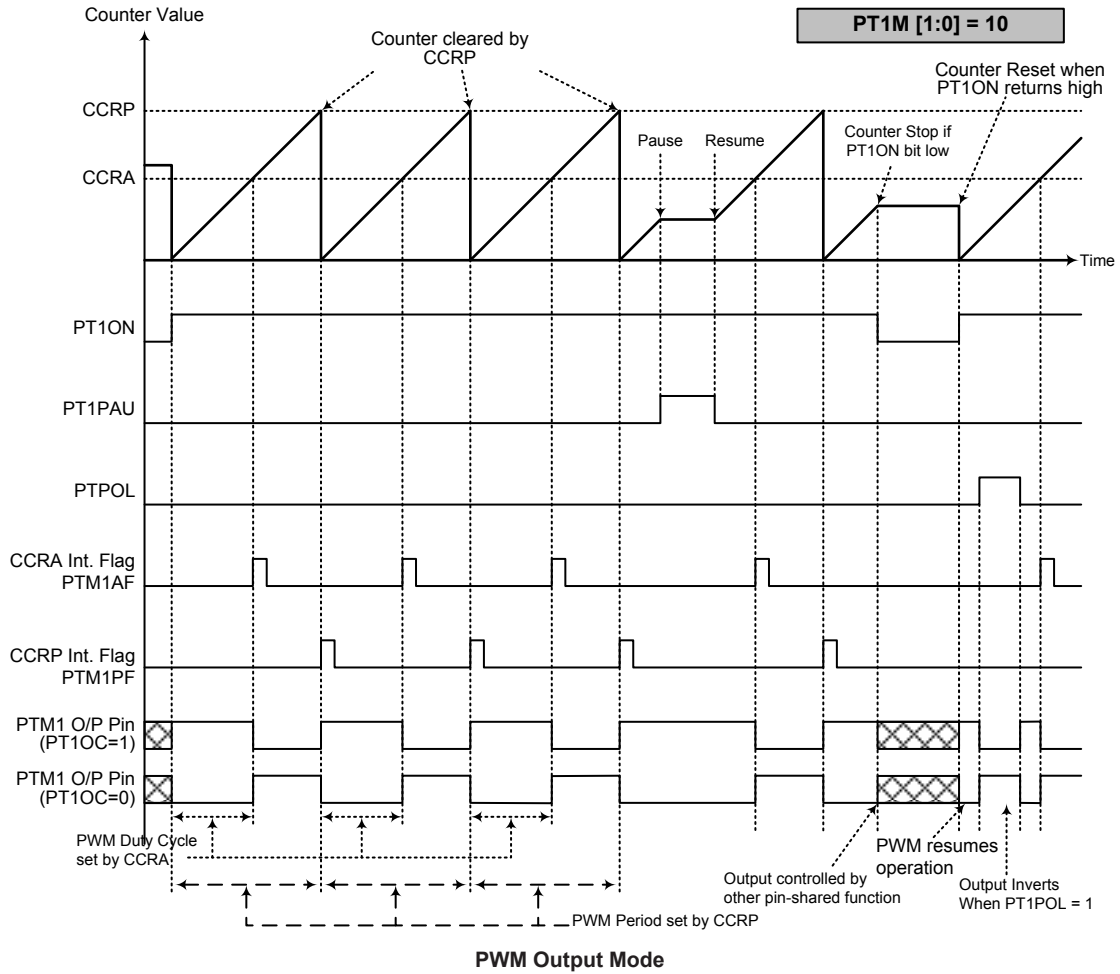
• **10-bit PTM, PWM Output Mode, Edge-aligned Mode**

CCRP	1~1023	0
Period	1~1023	1024
Duty	CCRA	

If  $f_{SYS}=8\text{MHz}$ , PTM clock source select  $f_{SYS}/4$ , CCRP=512 and CCRA=128,

The PTM PWM output frequency =  $(f_{SYS}/4)/512 = f_{SYS}/2048 = 4\text{kHz}$ , duty =  $128/512 = 25\%$

If the Duty value defined by the CCRA register is equal to or greater than the Period value, then the PWM output duty is 100%.



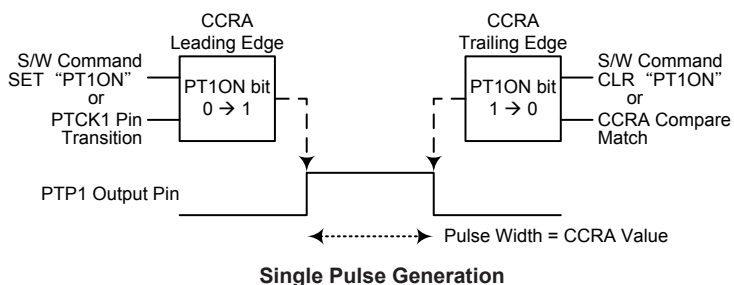
- Note: 1. Here Counter cleared by CCRP  
 2. A counter clear sets the PWM Period  
 3. The internal PWM function continues running even when PT1IO[1:0]=00 or 01  
 4. The PT1CCLR bit has no influence on PWM operation

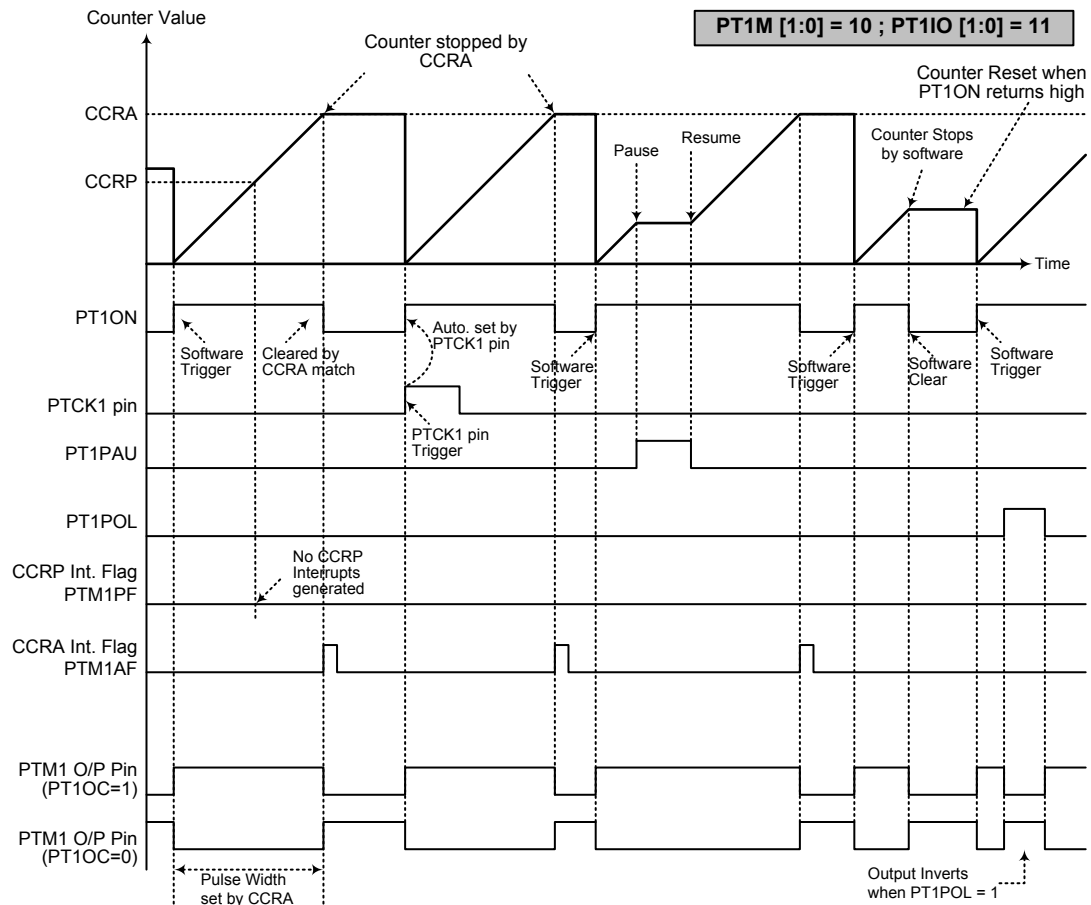
### Single Pulse Output Mode

To select this mode, the required bit pairs, PT1M1 and PT1M0 should be set to 10 respectively and also the corresponding PT1IO1 and PT1IO0 bits should be set to 11 respectively. The Single Pulse Output Mode, as the name suggests, will generate a single shot pulse on the PTM output pin.

The trigger for the pulse output leading edge is a low to high transition of the PT1ON bit, which can be implemented using the application program. However in the Single Pulse Output Mode, the PT1ON bit can also be made to automatically change from low to high using the external PTCK1 pin, which will in turn initiate the Single Pulse output. When the PT1ON bit transitions to a high level, the counter will start running and the pulse leading edge will be generated. The PT1ON bit should remain high when the pulse is in its active state. The generated pulse trailing edge will be generated when the PT1ON bit is cleared to zero, which can be implemented using the application program or when a compare match occurs from Comparator A.

However a compare match from Comparator A will also automatically clear the PT1ON bit and thus generate the Single Pulse output trailing edge. In this way the CCRA value can be used to control the pulse width. A compare match from Comparator A will also generate TM interrupts. The counter can only be reset back to zero when the PT1ON bit changes from low to high when the counter restarts. In the Single Pulse Mode CCRP is not used. The PTICCLR bit is also not used.





**Single Pulse Mode**

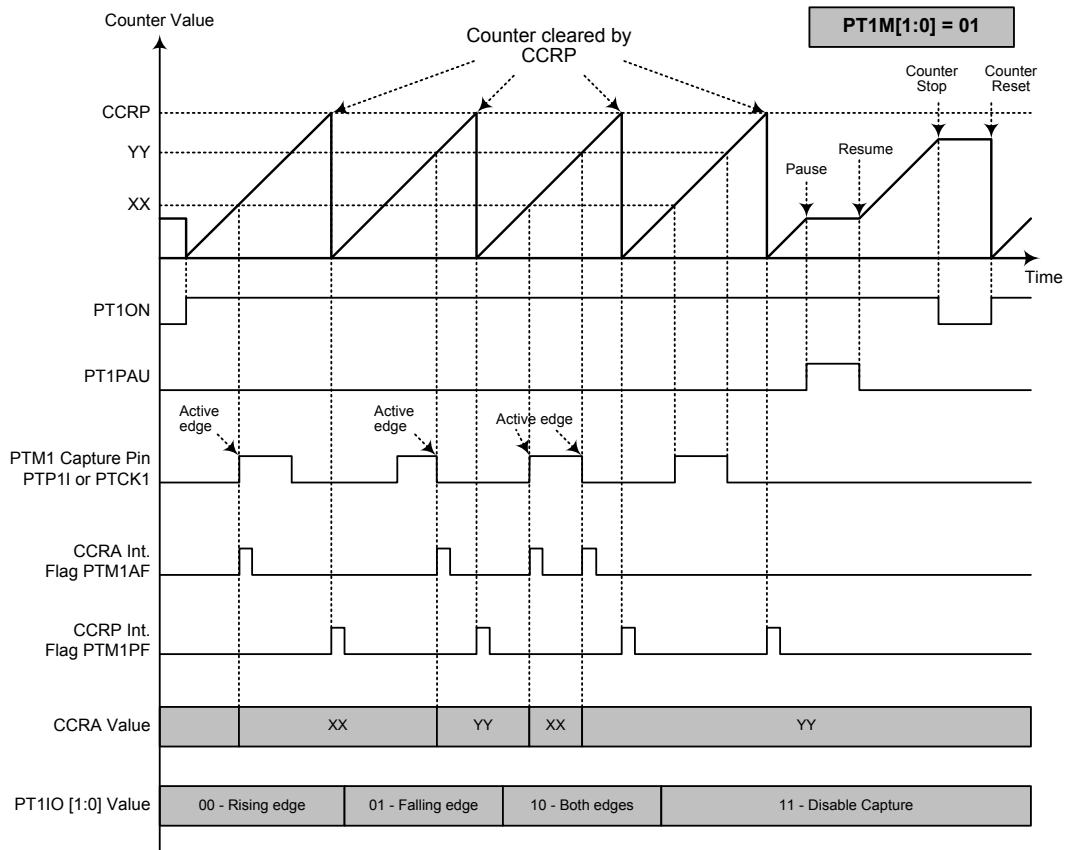
- Note:
1. Counter stopped by CCRA
  2. CCRP is not used
  3. The pulse is triggered by the PTCK1 pin or by setting the PT1ON bit high
  4. A PTCK1 pin active edge will automatically set the PT1ON bit high
  5. In the Single Pulse Mode, PT1IO [1:0] must be set to "11" and can not be changed.



### **Capture Input Mode**

To select this mode bits PT1M1 and PT1M0 in the PTM1C1 register should be set to 01 respectively. This mode enables external signals to capture and store the present value of the internal counter and can therefore be used for applications such as pulse width measurements. The external signal is supplied on the PTP1I or PTCK1 pin, selected by the PT1CKS bit in the PTM1C1 register. The input pin active edge can be either a rising edge, a falling edge or both rising and falling edges; the active edge transition type is selected using the PT1IO1 and PT1IO0 bits in the PTM1C1 register. The counter is started when the PT1ON bit changes from low to high which is initiated using the application program.

When the required edge transition appears on the PTP1I or PTCK1 pin the present value in the counter will be latched into the CCRA register and a TM interrupt generated. Irrespective of what events occur on the PTP1I or PTCK1 pin the counter will continue to free run until the PT1ON bit changes from high to low. When a CCRP compare match occurs the counter will reset back to zero; in this way the CCRP value can be used to control the maximum counter value. When a CCRP compare match occurs from Comparator P, a TM interrupt will also be generated. Counting the number of overflow interrupt signals from the CCRP can be a useful method in measuring long pulse widths. The PT1IO1 and PT1IO0 bits can select the active trigger edge on the PTP1I or PTCK1 pin to be a rising edge, falling edge or both edge types. If the PT1IO1 and PT1IO0 bits are both set high, then no capture operation will take place irrespective of what happens on the PTP1I or PTCK1 pin, however it must be noted that the counter will continue to run. The PT1CCLR, PT1OC and PT1POL bits are not used in this Mode..



**Capture Input Mode**

- Note: 1. PT1M[1:0]=01 and active edge set by the PT1IO[1:0] bits  
 2. A TM Capture input pin active edge transfers counter value to CCRA  
 3. The PT1CCLR bit is not used  
 4. No output function – PT1OC and PT1POL bits are not used  
 5. CCRP determines the counter value and the counter has a maximum count value when CCRP is equal to zero

## Interrupts

Interrupts are an important part of any microcontroller system. When an external event or an internal function such as a Timer Module requires microcontroller attention, their corresponding interrupt will enforce a temporary suspension of the main program allowing the microcontroller to direct attention to their respective needs. The device contains several external interrupt and internal interrupt functions. The external interrupt is generated by the action of the external INT pin, while the internal interrupts are generated by various internal functions such as the TMs, EEPROM write and Time Bases, etc.

### Interrupt Registers

Overall interrupt control, which basically means the setting of request flags when certain microcontroller conditions occur and the setting of interrupt enable bits by the application program, is controlled by a series of registers, located in the Special Purpose Data Memory, as shown in the accompanying table. The number of registers falls into three categories. The first is the INTC0~INTC1 registers which setup the primary interrupts, the second is the MF10~MF11 registers which setup the Multi-function interrupts. Finally there is an INTEG register to setup the external interrupt trigger edge type.

Each register contains a number of enable bits to enable or disable individual registers as well as interrupt flags to indicate the presence of an interrupt request. The naming convention of these follows a specific pattern. First is listed an abbreviated interrupt type, then the (optional) number of that interrupt followed by either an "E" for enable/disable bit or "F" for request flag.

Function	Enable Bit	Request Flag	Notes
Global	EMI	—	—
External Interrupt	INTE	INTF	—
Time Base	TBnE	TBnF	n=0~1
EEPROM	DEE	DEF	—
Multi-function	MFnE	MFnF	n=0~1
STM	STMP0E	STMP0F	—
	STMA0E	STMA0F	
PTM	PTMP1E	PTMP1F	—
	PTMA1E	PTMA1F	

**Interrupt Register Bit Naming Conventions**

Register Name	Bit							
	7	6	5	4	3	2	1	0
INTEG	—	—	—	—	—	—	INT0S1	INT0S0
INTC0	—	TB1F	TB0F	INTF	TB1E	TB0E	INTE	EMI
INTC1	MF1F	—	DEF	MF0F	MF1E	—	DEE	MF0E
MF10	—	—	STMA0F	STMP0F	—	—	STMA0E	STMP0E
MF11	—	—	PTMA1F	PTMP1F	—	—	PTMA1E	PTMP1E

**Interrupt Register List**

• **INTEG Register**

Bit	7	6	5	4	3	2	1	0
Name	—	—	—	—	—	—	INT0S1	INT0S0
R/W	—	—	—	—	—	—	R/W	R/W
POR	—	—	—	—	—	—	0	0

Bit 7~2 Unimplemented, read as "0"

Bit 1~0 **INT0S1~INT0S0**: Defines INT pin external interrupt active edge  
 00: Disable  
 01: Rising edge  
 10: Falling edge  
 11: Rising and falling edges

• **INTC0 Register**

Bit	7	6	5	4	3	2	1	0
Name	—	TB1F	TB0F	INTF	TB1E	TB0E	INTE	EMI
R/W	—	R/W	R/W	R/W	R/W	R/W	R/W	R/W
POR	—	0	0	0	0	0	0	0

Bit 7 Unimplemented, read as "0"

Bit 6 **TB1F**: Time Base 1 interrupt request flag  
 0: No request  
 1: Interrupt request

Bit 5 **TB0F**: Time Base 0 interrupt request flag  
 0: No request  
 1: Interrupt request

Bit 4 **INTF**: INT interrupt request flag  
 0: No request  
 1: Interrupt request

Bit 3 **TB1E**: Time Base 1 interrupt control  
 0: Disable  
 1: Enable

Bit 2 **TB0E**: Time Base 0 interrupt control  
 0: Disable  
 1: Enable

Bit 1 **INTE**: INT interrupt control  
 0: Disable  
 1: Enable

Bit 0 **EMI**: Global interrupt control  
 0: Disable  
 1: Enable

• **INTC1 Register**

Bit	7	6	5	4	3	2	1	0
Name	MF1F	—	DEF	MF0F	MF1E	—	DEE	MF0E
R/W	R/W	—	R/W	R/W	R/W	—	R/W	R/W
POR	0	—	0	0	0	—	0	0

Bit 7 **MF1F**: Multi-function interrupt 1 request flag  
 0: No request  
 1: Interrupt request

Bit 6 Unimplemented, read as "0"

Bit 5 **DEF**: Data EEPROM interrupt request flag  
 0: No request  
 1: Interrupt request

- Bit 4      **MF0F**: Multi-function interrupt 0 request flag  
             0: No request  
             1: Interrupt request
- Bit 3      **MF1E**: Multi-function interrupt 1 control  
             0: Disable  
             1: Enable
- Bit 2      Unimplemented, read as "0"
- Bit 1      **DEE**: Data EEPROM interrupt control  
             0: Disable  
             1: Enable
- Bit 0      **MF0E**: Multi-function interrupt 0 control  
             0: Disable  
             1: Enable

• **MFIO Register**

Bit	7	6	5	4	3	2	1	0
Name	—	—	STMA0F	STMP0F	—	—	STMA0E	STMP0E
R/W	—	—	R/W	R/W	—	—	R/W	R/W
POR	—	—	0	0	—	—	0	0

- Bit 7~6    Unimplemented, read as "0"
- Bit 5      **STMA0F**: STM0 Comparator A match interrupt request flag  
             0: No request  
             1: Interrupt request
- Bit 4      **STMP0F**: STM0 Comparator P match interrupt request flag  
             0: No request  
             1: Interrupt request
- Bit 3~2    Unimplemented, read as "0"
- Bit 1      **STMA0E**: STM0 Comparator A match interrupt control  
             0: Disable  
             1: Enable
- Bit 0      **STMP0E**: STM0 Comparator P match interrupt control  
             0: Disable  
             1: Enable

• **MF1I Register**

Bit	7	6	5	4	3	2	1	0
Name	—	—	PTMA1F	PTMP1F	—	—	PTMA1E	PTMP1E
R/W	—	—	R/W	R/W	—	—	R/W	R/W
POR	—	—	0	0	—	—	0	0

- Bit 7~6    Unimplemented, read as "0"
- Bit 5      **PTMA1F**: PTM1 Comparator A match interrupt request flag  
             0: No request  
             1: Interrupt request
- Bit 4      **PTMP1F**: PTM1 Comparator P match interrupt request flag  
             0: No request  
             1: Interrupt request
- Bit 3~2    Unimplemented, read as "0"
- Bit 1      **PTMA1E**: PTM1 Comparator A match interrupt control  
             0: Disable  
             1: Enable
- Bit 0      **PTMP1E**: PTM1 Comparator P match interrupt control  
             0: Disable  
             1: Enable

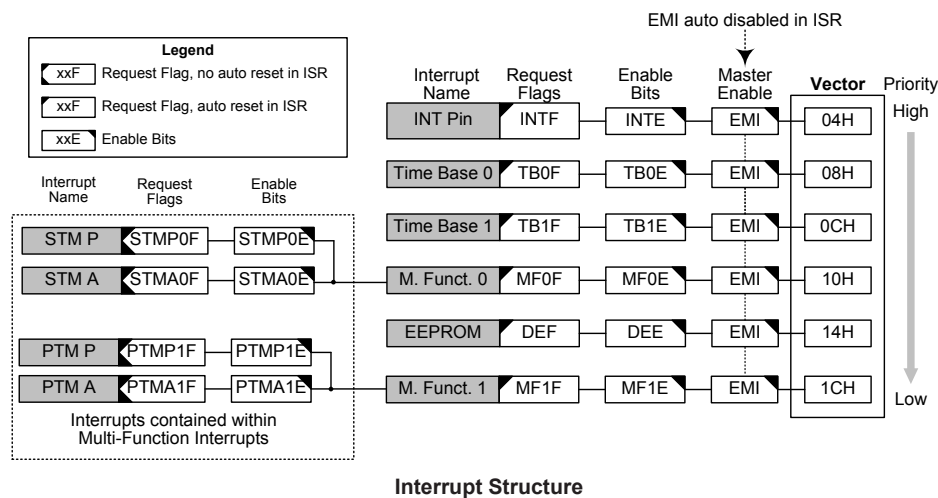
### Interrupt Operation

When the conditions for an interrupt event occur, such as a TM Comparator P or Comparator A match etc., the relevant interrupt request flag will be set. Whether the request flag actually generates a program jump to the relevant interrupt vector is determined by the condition of the interrupt enable bit. If the enable bit is set high then the program will jump to its relevant vector; if the enable bit is zero then although the interrupt request flag is set an actual interrupt will not be generated and the program will not jump to the relevant interrupt vector. The global interrupt enable bit, if cleared to zero, will disable all interrupts.

When an interrupt is generated, the Program Counter, which stores the address of the next instruction to be executed, will be transferred onto the stack. The Program Counter will then be loaded with a new address which will be the value of the corresponding interrupt vector. The microcontroller will then fetch its next instruction from this interrupt vector. The instruction at this vector will usually be a "JMP" which will jump to another section of program which is known as the interrupt service routine. Here is located the code to control the appropriate interrupt. The interrupt service routine must be terminated with a "RETI", which retrieves the original Program Counter address from the stack and allows the microcontroller to continue with normal execution at the point where the interrupt occurred.

The various interrupt enable bits, together with their associated request flags, are shown in the accompanying diagrams with their order of priority. Some interrupt sources have their own individual vector while others share the same multi-function interrupt vector. Once an interrupt subroutine is serviced, all the other interrupts will be blocked, as the global interrupt enable bit, EMI bit will be cleared automatically. This will prevent any further interrupt nesting from occurring. However, if other interrupt requests occur during this interval, although the interrupt will not be immediately serviced, the request flag will still be recorded.

If an interrupt requires immediate servicing while the program is already in another interrupt service routine, the EMI bit should be set after entering the routine, to allow interrupt nesting. If the stack is full, the interrupt request will not be acknowledged, even if the related interrupt is enabled, until the Stack Pointer is decremented. If immediate service is desired, the stack must be prevented from becoming full. In case of simultaneous requests, the accompanying diagram shows the priority that is applied. All of the interrupt request flags when set will wake-up the device if it is in SLEEP or IDLE Mode, however to prevent a wake-up from occurring the corresponding flag should be set before the device is in SLEEP or IDLE Mode.



## External Interrupt

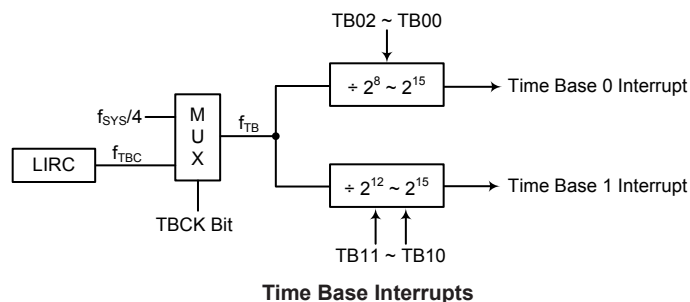
The external interrupt is controlled by signal transitions on the pin INT. An external interrupt request will take place when the external interrupt request flag, INTF, is set, which will occur when a transition, whose type is chosen by the edge select bits, appears on the external interrupt pin. To allow the program to branch to its respective interrupt vector address, the global interrupt enable bit, EMI, and respective external interrupt enable bit, INTE, must first be set. Additionally the correct interrupt edge type must be selected using the INTEG register to enable the external interrupt function and to choose the trigger edge type. As the external interrupt pin is pin-shared with I/O pin, it can only be configured as external interrupt pin if its external interrupt enable bit in the corresponding interrupt register has been set and the external interrupt pin is selected by the corresponding pin-shared function selection bits. The pin must also be setup as an input by setting the corresponding bit in the port control register. When the interrupt is enabled, the stack is not full and the correct transition type appears on the external interrupt pin, a subroutine call to the external interrupt vector, will take place. When the interrupt is serviced, the external interrupt request flag, INTF will be automatically reset and the EMI bit will be automatically cleared to disable other interrupts. Note that any pull-high resistor selections on the external interrupt pin will remain valid even if the pin is used as an external interrupt input.

The INTEG register is used to select the type of active edge that will trigger the external interrupt. A choice of either rising or falling or both edge types can be chosen to trigger an external interrupt. Note that the INTEG register can also be used to disable the external interrupt function.

## Time Base Interrupts

The function of the Time Base Interrupts is to provide regular time signal in the form of an internal interrupt. They are controlled by the overflow signals from their respective timer functions. When these happens their respective interrupt request flags, TB0F or TB1F will be set. To allow the program to branch to their respective interrupt vector addresses, the global interrupt enable bit, EMI and Time Base interrupt enable bits, TB0E or TB1E, must first be set. When the interrupt is enabled, the stack is not full and the Time Base overflows, a subroutine call to their respective vector locations will take place. When the interrupt is serviced, the respective interrupt request flag, TB0F or TB1F, will be automatically reset and the EMI bit will be cleared to disable other interrupts.

The purpose of the Time Base Interrupt is to provide an interrupt signal at fixed time periods. Their clock sources originate from the internal clock source  $f_{SYS}/4$  or  $f_{TBC}$  and then pass through a divider, the division ratio of which is selected by programming the appropriate bits in the TBC register to obtain longer interrupt periods whose value ranges. The clock source which in turn controls the Time Base interrupt period is selected using the TBCK bit in the TBC register.



• **TBC Register**

Bit	7	6	5	4	3	2	1	0
Name	TBON	TBCK	TB11	TB10	—	TB02	TB01	TB00
R/W	R/W	R/W	R/W	R/W	—	R/W	R/W	R/W
POR	0	0	1	1	—	1	1	1

- Bit 7      **TBON**: TB0 and TB1 Control  
0: Disable  
1: Enable
- Bit 6      **TBCK**: Select TB0 and TB1 clock source  
0:  $f_{TBC}$   
1:  $f_{SYS}/4$
- Bit 5~4    **TB11~TB10**: Select Time Base 1 Time-out Period  
00:  $2^{12}/f_{TB}$   
01:  $2^{13}/f_{TB}$   
10:  $2^{14}/f_{TB}$   
11:  $2^{15}/f_{TB}$
- Bit 3      Unimplemented, read as "0"
- Bit 2~0    **TB02~TB00**: Select Time Base 0 Time-out Period  
000:  $2^8/f_{TB}$   
001:  $2^9/f_{TB}$   
010:  $2^{10}/f_{TB}$   
011:  $2^{11}/f_{TB}$   
100:  $2^{12}/f_{TB}$   
101:  $2^{13}/f_{TB}$   
110:  $2^{14}/f_{TB}$   
111:  $2^{15}/f_{TB}$

**Multi-function Interrupts**

Within the device there are two Multi-function interrupts. Unlike the other independent interrupts, these interrupts have no independent sources, but rather are formed from other existing interrupt sources, namely the TM Interrupts.

A Multi-function interrupt request will take place when any of the Multi-function interrupt request flags, MFnF are set. The Multi-function interrupt flags will be set when any of their included functions generate an interrupt request flag. To allow the program to branch to its respective interrupt vector address, when the Multi-function interrupt is enabled and the stack is not full, and either one of the interrupts contained within each of Multi-function interrupt occurs, a subroutine call to one of the Multi-function interrupt vectors will take place. When the interrupt is serviced, the related Multi-function request flag will be automatically reset and the EMI bit will be automatically cleared to disable other interrupts.

However, it must be noted that, although the Multi-function Interrupt flags will be automatically reset when the interrupt is serviced, the request flags from the original source of the Multi-function interrupts will not be automatically reset and must be manually reset by the application program.

**EEPROM Write Interrupt**

An EEPROM Interrupt request will take place when the EEPROM Interrupt request flag, DEF, is set, which occurs when an EEPROM Write cycle ends. To allow the program to branch to its respective interrupt vector address, the global interrupt enable bit, EMI, and EEPROM Interrupt enable bit, DEE, must first be set. When the interrupt is enabled, the stack is not full and an EEPROM Write cycle ends, a subroutine call to the respective EEPROM Interrupt vector will take place. When the EEPROM Interrupt is serviced, the EMI bit will be automatically cleared to disable other interrupts and the EEPROM interrupt request flag also will be automatically cleared.



## TM Interrupts

The Standard and Periodic Type TMs each have two interrupts, one comes from the comparator A match situation and the other comes from the comparator P match situation. All of the TM interrupts are contained within the Multi-function Interrupts. For all of the TM types there are two interrupt request flags and two enable control bits. A TM interrupt request will take place when any of the TM request flags are set, a situation which occurs when a TM comparator P or A match situation happens.

To allow the program to branch to its respective interrupt vector address, the global interrupt enable bit, EMI, respective TM Interrupt enable bit, and relevant Multi-function Interrupt enable bit, MFnE, must first be set. When the interrupt is enabled, the stack is not full and a TM comparator match situation occurs, a subroutine call to the relevant Multi-function Interrupt vector locations, will take place. When the TM interrupt is serviced, the EMI bit will be automatically cleared to disable other interrupts, however only the related MFnF flag will be automatically cleared. As the TM interrupt request flags will not be automatically cleared, they have to be cleared by the application program.

## Interrupt Wake-up Function

Each of the interrupt functions has the capability of waking up the microcontroller when in the SLEEP or IDLE Mode. A wake-up is generated when an interrupt request flag changes from low to high and is independent of whether the interrupt is enabled or not. Therefore, even though the device is in the SLEEP or IDLE Mode and its system oscillator stopped, situations such as external edge transitions on the external interrupt pin may cause their respective interrupt flag to be set high and consequently generate an interrupt.

Care must therefore be taken if spurious wake-up situations are to be avoided. If an interrupt wake-up function is to be disabled then the corresponding interrupt request flag should be set high before the device enters the SLEEP or IDLE Mode. The interrupt enable bits have no effect on the interrupt wake-up function.

## Programming Considerations

By disabling the relevant interrupt enable bits, a requested interrupt can be prevented from being serviced, however, once an interrupt request flag is set, it will remain in this condition in the interrupt register until the corresponding interrupt is serviced or until the request flag is cleared by the application program.

Where a certain interrupt is contained within a Multi-function interrupt, then when the interrupt service routine is executed, as only the Multi-function interrupt request flag will be automatically cleared, the individual request flag for the function needs to be cleared by the application program.

It is recommended that programs do not use the "CALL" instruction within the interrupt service subroutine. Interrupts often occur in an unpredictable manner or need to be serviced immediately. If only one stack is left and the interrupt is not well controlled, the original control sequence will be damaged once a CALL subroutine is executed in the interrupt subroutine.

Every interrupt has the capability of waking up the microcontroller when it is in the SLEEP or IDLE Mode, the wake up being generated when the interrupt request flag changes from low to high. If it is required to prevent a certain interrupt from waking up the microcontroller then its respective request flag should be first set high before enter the SLEEP or IDLE Mode.

As only the Program Counter is pushed onto the stack, then when the interrupt is serviced, if the contents of the accumulator, status register or other registers are altered by the interrupt service program, their contents should be saved to the memory at the beginning of the interrupt service routine.

To return from an interrupt subroutine, either a RET or RETI instruction may be executed. The RETI instruction in addition to executing a return to the main program also automatically sets the EMI bit high to allow further interrupts. The RET instruction however only executes a return to the main program leaving the EMI bit in its present zero state and therefore disabling the execution of further interrupts.

## Low Voltage Detector – LVD

The device has a Low Voltage Detector function, also known as LVD. This enabled the device to monitor the power supply voltage,  $V_{DD}$ , and provide a warning signal should it fall below a certain level. This function may be especially useful in battery applications where the supply voltage will gradually reduce as the battery ages, as it allows an early warning battery low signal to be generated.

### LVD Register

The Low Voltage Detector function is controlled using a single register with the name LVDC. Three bits in this register, VLVD2~VLVD0, are used to select one of eight fixed voltages below which a low voltage condition will be determined. A low voltage condition is indicated when the LVDO bit is set. If the LVDO bit is low, this indicates that the  $V_{DD}$  voltage is above the preset low voltage value. The ENLVD bit is used to control the overall on/off function of the low voltage detector. Setting the bit high will enable the low voltage detector. Clearing the bit to zero will switch off the internal low voltage detector circuits. As the low voltage detector will consume a certain amount of power, it may be desirable to switch off the circuit when not in use, an important consideration in power sensitive battery powered applications.

#### • LVDC Register

Bit	7	6	5	4	3	2	1	0
Name	—	—	LVDO	ENLVD	—	VLVD2	VLVD1	VLVD0
R/W	—	—	R	R/W	—	R/W	R/W	R/W
POR	—	—	0	0	—	0	0	0

Bit 7~6 Unimplemented, read as "0"

Bit 5 **LVDO**: LVD Output flag  
0: No Low Voltage Detected  
1: Low Voltage Detected

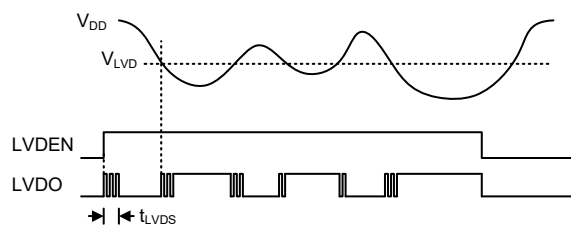
Bit 4 **ENLVD**: Low Voltage Detector Enable control  
0: Disable  
1: Enable

Bit 3 Unimplemented, read as "0"

Bit 2~0 **VLVD2~VLVD0**: LVD Voltage selection  
000: 2.0V  
001: 2.2V  
010: 2.4V  
011: 2.7V  
100: 3.0V  
101: 3.3V  
110: 3.6V  
111: 4.0V

## LVD Operation

The Low Voltage Detector function operates by comparing the power supply voltage,  $V_{DD}$ , with a pre-specified voltage level stored in the LVDC register. This has a range of between 2.0V and 4.0V. When the power supply voltage,  $V_{DD}$ , falls below this pre-determined value, the LVDO bit will be set high indicating a low power supply voltage condition. When the device is in the SLEEP or IDLE mode, the low voltage detector will be automatically disabled. After enabling the Low Voltage Detector, a time delay  $t_{LVDS}$  should be allowed for the circuitry to stabilise before reading the LVDO bit. Note also that as the  $V_{DD}$  voltage may rise and fall rather slowly, at the voltage nears that of  $V_{LVD}$ , there may be multiple bit LVDO transitions.



**LVD Operation**

## RF Transmitter

The RF module is a low cost Sub-1GHz OOK/FSK transmitter for wireless applications in the 315MHz, 433MHz, 470MHz, 868MHz and 915MHz frequency bands. It consists of a highly integrated fractional-N Synthesizer and a Class-E Power Amplifier (PA).

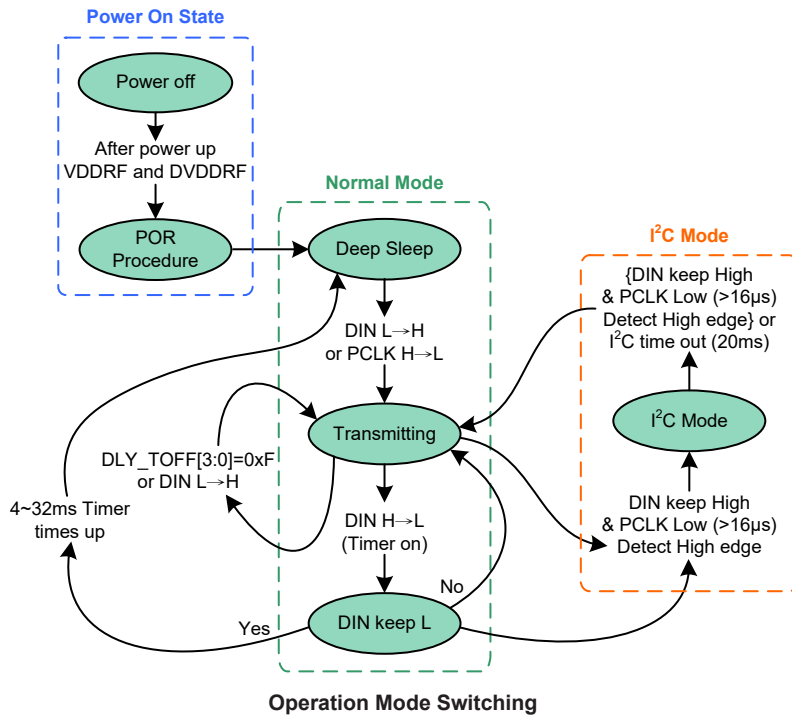
The RF frequency is generated by a fully integrated fractional-N Synthesizer which includes RF VCO, loop filter and Digital controlled XO (DCXO). A fractional-N synthesizer allows users to extend their applications to a wider frequency range with the same XO.

The transmit section is a VCO direct modulation architecture. Different from the conventional direct-up conversion transmitter, the FSK modulation signal is fed into the VCO directly to take advantage of fractional-N synthesizer. As a result, both layout area and current consumption are much smaller. The modulated signal, generated by VCO, is fed into a Class-E PA and the maximum output power can be up to +13dBm.

Note that the data rate of the RF module is determined by the integrated oscillator source (HIRC), and the receive end is recommended to use firmware decoding products such as Holtek BC2502+BC68F0031.

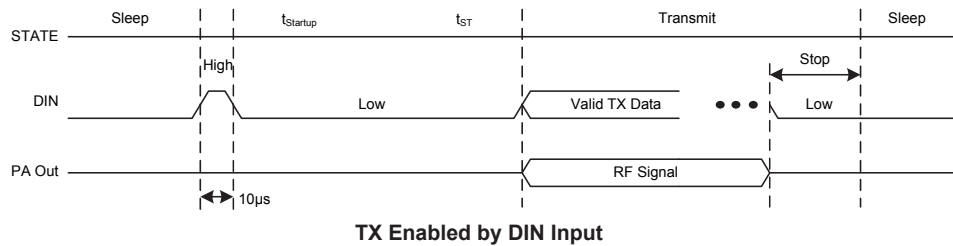
**State Control**

The RF transmitter module has an integrated state control machine that control the state transition between different modes.

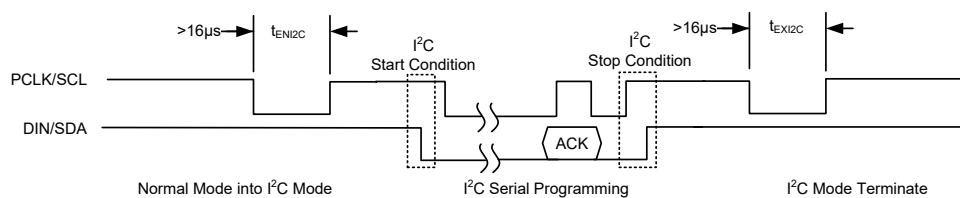


After RF transmitter module power-on, the transmitter module will perform a POR procedure and then enter the Deep Sleep Mode to wait for a transmitting start condition.

When the DIN is pulled high or the PCLK signal changes from high to low, the transmitting is started. When data transmission is finished and the DIN line state changes from high to low, the RF transmitter will enter the Standby state and the Timer, whose timeout period is determined by DLY\_TOFF bit field in the CFG1 register, will turn on and start to count. The RF transmitter will return to the Deep Sleep Mode when the Timer overflows. However, it should be noted that when the DLY\_TOFF[3:0] bit value is "1111", the RF transmitter will start to transmit again without entering the Deep Sleep Mode once the DIN line state changes from low to high.



The RF transmitter can enter the I<sup>2</sup>C mode from the Normal mode. If the SCL line is pulled low for more than 16μs ( $t_{ENI2C}$ ), the RF transmitter will enter the I<sup>2</sup>C Mode for serial programming. When the RF transmitter receives a correct I<sup>2</sup>C STOP signal followed by the SCL line being pulled low for more than 16μs, the RF transmitter will return to the Normal Mode.



### I<sup>2</sup>C Serial Programming

In the I<sup>2</sup>C Mode, the RF transmitter internal relevant registers can be configured using I<sup>2</sup>C serial programming. The transmitter only supports the I<sup>2</sup>C format for byte write, page write, byte read and page read format. The transmission procedure is shown as below.

It should be noted that the I<sup>2</sup>C is a non-standard I<sup>2</sup>C interface, which only supports a single device for connection.

Symbol definition:

- S: Start symbol
- RS: Repeat Start
- P: Stop symbol
- DADDR[6:0]: device address, 21h
- R/W: read write select, R(0): write, (1): read
- RADDR[7:0]: register address
- ACK: A(0):ACK, NA(1):NACK
- Bus Direction:  
 host to device:   
 device to host:

Byte Write



Page Write

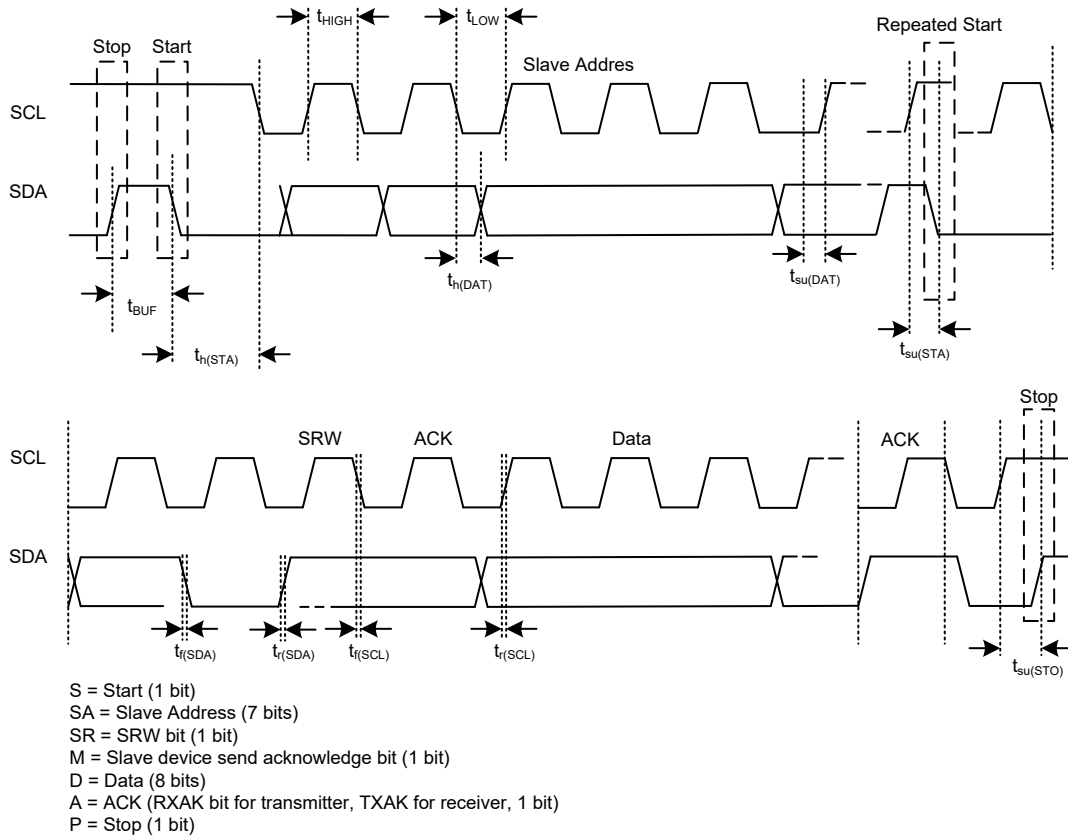


Byte Read



Page Read





**I<sup>2</sup>C Communication Timing Diagram**

**RF Transmitter Module Registers**

The module can be setup and operated using a series of internal registers. The RF module commands and data are written into and read from the RF transmitter module using its internal I<sup>2</sup>C bus. This list provides a summary of all internal registers.

Address	Register Name	Bit							
		7	6	5	4	3	2	1	0
00h	CFG0	Setting0			XO_TRIM[5:0]				
01h	CFG1	DLY_TOFF[3:0]				Setting1			
02h	CFG2	FDEV[7:0]							
03h	CFG3	FSK_SEL	Setting2			TXPWR[3:0]			
04h	CFG4	D_N[5:0]					BAND_SEL[1:0]		
05h	CFG5	D_K[11:4]							
06h	CFG6	D_K[19:12]							
07h	CFG7	Setting3							

If the RF transmitter module registers are not programmed using I<sup>2</sup>C serial programming, it will have a default state described in the following, determined by register initial values.

Modulation Mode: OOK

Operating Frequency: 433.92MHz

TX Output Power: 10dBm

XTAL Capacitor Load: 16.651pF

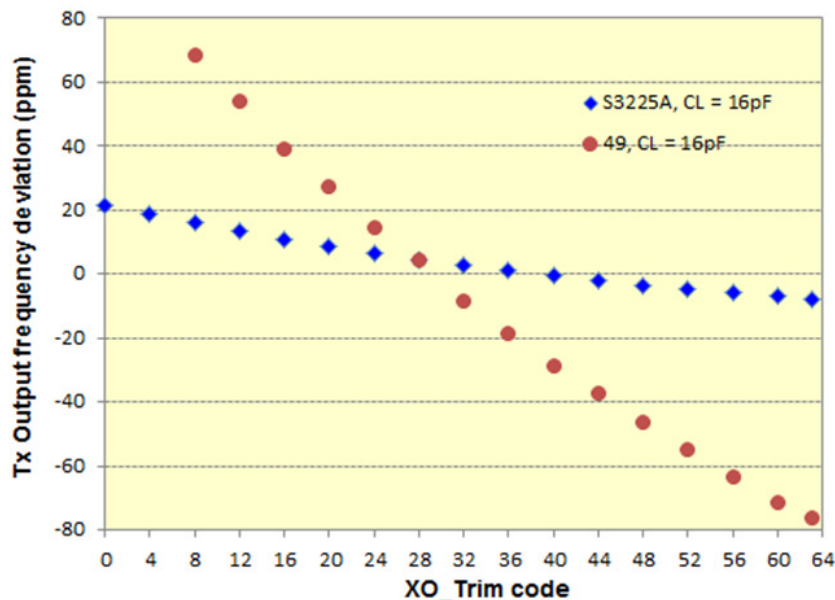
Power Off Delay Time: 32ms

• **CFG0: Configuration Control Register 0**

Address	Bit	7	6	5	4	3	2	1	0
00h	Name	Setting0		XO_TRIM[5:0]					
	R/W	R/W	R/W	R/W					
	Initial Value	1	0	1	0	0	0	0	0

Bit 7~6 **Setting0**: Must be [0b10]

Bit 5~0 **XO\_TRIM[5:0]**: Trim value of the internal capacitor array for different crystal C<sub>LOAD</sub>  
 Based on XO fabricated by YOKETAN corporation.  
 49US 16MHz XO w/ 16pF C<sub>load</sub>: The default setting is 1B. Within ±40ppm frequency error, 1 trim code shift -2.88ppm.  
 3225SMD 16MHz XO w/16pF C<sub>load</sub>: The default setting is 28. Within ±20ppm frequency error, 1 trim code shift -0.37ppm.



• **CFG1: Configuration Control Register 1**

Address	Bit	7	6	5	4	3	2	1	0
01h	Name	DLY_TOFF[3:0]				Setting1			
	R/W	R/W				R/W			
	Initial Value	1	1	1	0	0	0	0	1

Bit 7~4 **DLY\_TOFF[3:0]**: Transmitter Auto Power Off Delay Time  
 $t=2ms \times (DLY\_TOFF[3:0]+2)$   
 0000: 4ms  
 0001: 6ms  
 0010: 8ms  
 :  
 1110: 32ms  
 1111: Infinite – Never enter the Deep Sleep Mode

Bit 3~0 **Setting1**: Must be [0b0001]

• **CFG2: Configuration Control Register 2**

Address	Bit	7	6	5	4	3	2	1	0
02h	Name	FDEV[7:0]							
	R/W	R/W							
	Initial Value	0	1	1	0	0	1	1	0

Bit 7~0 **FDEV[7:0]**: Frequency deviation for FSK  
 External Crystal=16MHz,  $FDEV=(f_{DEV} \times 2^{15}/f_{XTAL})$ ;  $f_{XTAL}=16MHz$   
 Examples are as follows:  
 Default FDEV[7:0]=01100110 → Decimal 102  
 External Crystal=16MHz  
 $f_{DEV}(\text{Frequency deviation})=f_{DEV} \times (16MHz/2^{15})$   
 $f_{DEV}(\text{Frequency deviation})=102 \times (16MHz/32768)=49.8kHz$

• **CFG3: Configuration Control Register 3**

Address	Bit	7	6	5	4	3	2	1	0
03h	Name	FSK_SEL	Setting2			TXPWR[3:0]			
	R/W	R/W	R/W			R/W			
	Initial Value	0	1	0	0	1	0	0	0

Bit 7 **FSK\_SEL**: FSK Mode Enable  
 0: OOK  
 1: FSK

Bit 6~4 **Setting 2**: Must be [0b100]

Bit 3~0 **TXPWR[3:0]**: RF Output Power  
 The device has several output power values which are 0, 5, 10, and 13dBm.

TXPWR[3:0]	RF Output Power	TXPWR[3:0]	RF Output Power Fine Tune Level
0000	0dBm	XX00	0
0100	5dBm	XX01	1
1000	10dBm	XX10	2
1100	13dBm	XX11	3

Note that the adjust range: Level 3 > Level 2 > Level 1 > Level 0.

Note: Output power level could vary due to different matching components and placement on the PCB. The matching variation could significantly impact the output power level below +5dBm setting.



• CFG4: Configuration Control Register 4

Address	Bit	7	6	5	4	3	2	1	0	
04h	Name	D_N[5:0]						BAND_SEL[1:0]		
	R/W	R/W						R/W		
	Initial Value	0	1	0	1	1	0	0	1	

Bit 7~2 **D\_N[5:0]**: Integer of dividend for MMD

Bit 1~0 **BAND\_SEL[1:0]**: Band Frequency Coarse Control

BAND_SEL	Frequency
00	315MHz
01	433MHz
10	868MHz
11	915MHz

Note that the BAND\_SEL only select an approximate frequency range while the exact frequency value is determined by the D\_N and D\_K bit fields.

• CFG5: Configuration Control Register 5

Address	Bit	7	6	5	4	3	2	1	0
05h	Name	D_K[11:4]							
	R/W	R/W							
	Initial Value	0	1	1	1	0	0	0	0

• CFG6: Configuration Control Register 6

Address	Bit	7	6	5	4	3	2	1	0
06h	Name	D_K[19:12]							
	R/W	R/W							
	Initial Value	0	0	1	1	1	1	0	1

**D\_K[19:4]**: 16-bit Fractional of dividend for MMD

D\_N&D\_K example.

X\*TAL=16MHz and TX band =433MHz

1. D\_N → (433M×Divider)/16M=54.125

Take the integer part → D\_N=54-32=22 → 010110

2. D\_K → (433M×Divider)/16M=54.125

Take the fractional part → D\_K=0.125×2<sup>20</sup>=131072 → 0010-0000-0000-0000

3. The example frequency can be referred in the following table.

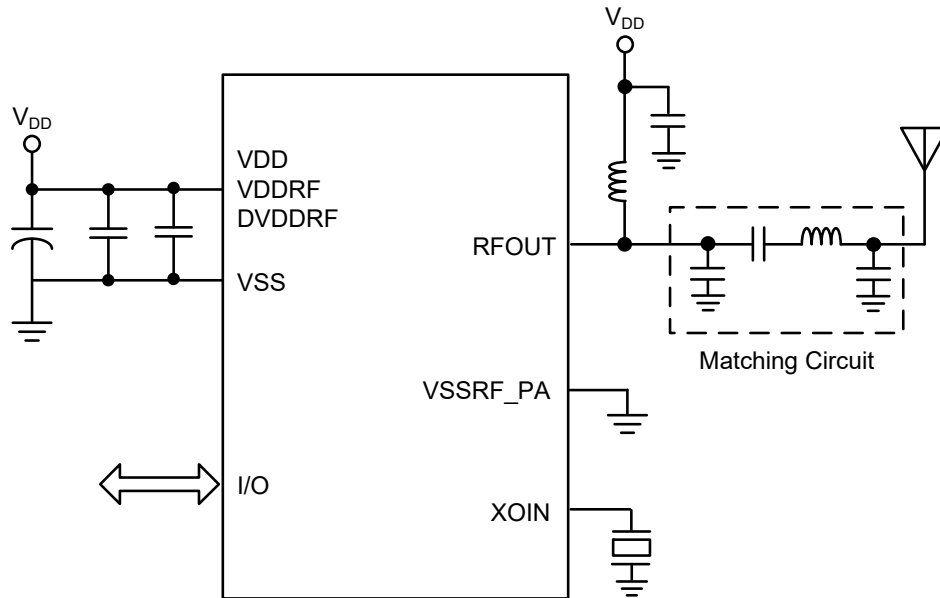
Band_SEL	Frequency	Divider	X*TAL	D_N[5:0]	D_K[19:4]
315MHz	315MHz	2	16MHz	000111	0110-0000-0000-0000
433MHz	433MHz	2	16MHz	010110	0010-0000-0000-0000
433MHz	433.92MHz	2	16MHz	010110	0011-1101-0111-0000
868MHz	868MHz	1	16MHz	010110	0100-0000-0000-0000
915MHz	915MHz	1	16MHz	011001	0011-0000-0000-0000

• CFG7: Configuration Control Register 7

Address	Bit	7	6	5	4	3	2	1	0
07h	Name	Setting3							
	R/W	R/W							
	Initial Value	0	1	0	0	1	0	1	1

Bit 7~0 **Setting3**: Must be [0b01001011]

**Application Circuits**



## **Instruction Set**

### **Introduction**

Central to the successful operation of any microcontroller is its instruction set, which is a set of program instruction codes that directs the microcontroller to perform certain operations. In the case of Holtek microcontroller, a comprehensive and flexible set of over 60 instructions is provided to enable programmers to implement their application with the minimum of programming overheads.

For easier understanding of the various instruction codes, they have been subdivided into several functional groupings.

### **Instruction Timing**

Most instructions are implemented within one instruction cycle. The exceptions to this are branch, call, or table read instructions where two instruction cycles are required. One instruction cycle is equal to 4 system clock cycles, therefore in the case of an 8MHz system oscillator, most instructions would be implemented within 0.5 $\mu$ s and branch or call instructions would be implemented within 1 $\mu$ s. Although instructions which require one more cycle to implement are generally limited to the JMP, CALL, RET, RETI and table read instructions, it is important to realize that any other instructions which involve manipulation of the Program Counter Low register or PCL will also take one more cycle to implement. As instructions which change the contents of the PCL will imply a direct jump to that new address, one more cycle will be required. Examples of such instructions would be "CLR PCL" or "MOV PCL, A". For the case of skip instructions, it must be noted that if the result of the comparison involves a skip operation then this will also take one more cycle, if no skip is involved then only one cycle is required.

### **Moving and Transferring Data**

The transfer of data within the microcontroller program is one of the most frequently used operations. Making use of three kinds of MOV instructions, data can be transferred from registers to the Accumulator and vice-versa as well as being able to move specific immediate data directly into the Accumulator. One of the most important data transfer applications is to receive data from the input ports and transfer data to the output ports.

### **Arithmetic Operations**

The ability to perform certain arithmetic operations and data manipulation is a necessary feature of most microcontroller applications. Within the Holtek microcontroller instruction set are a range of add and subtract instruction mnemonics to enable the necessary arithmetic to be carried out. Care must be taken to ensure correct handling of carry and borrow data when results exceed 255 for addition and less than 0 for subtraction. The increment and decrement instructions INC, INCA, DEC and DECA provide a simple means of increasing or decreasing by a value of one of the values in the destination specified.

## Logical and Rotate Operation

The standard logical operations such as AND, OR, XOR and CPL all have their own instruction within the Holtek microcontroller instruction set. As with the case of most instructions involving data manipulation, data must pass through the Accumulator which may involve additional programming steps. In all logical data operations, the zero flag may be set if the result of the operation is zero. Another form of logical data manipulation comes from the rotate instructions such as RR, RL, RRC and RLC which provide a simple means of rotating one bit right or left. Different rotate instructions exist depending on program requirements. Rotate instructions are useful for serial port programming applications where data can be rotated from an internal register into the Carry bit from where it can be examined and the necessary serial bit set high or low. Another application which rotate data operations are used is to implement multiplication and division calculations.

## Branches and Control Transfer

Program branching takes the form of either jumps to specified locations using the JMP instruction or to a subroutine using the CALL instruction. They differ in the sense that in the case of a subroutine call, the program must return to the instruction immediately when the subroutine has been carried out. This is done by placing a return instruction "RET" in the subroutine which will cause the program to jump back to the address right after the CALL instruction. In the case of a JMP instruction, the program simply jumps to the desired location. There is no requirement to jump back to the original jumping off point as in the case of the CALL instruction. One special and extremely useful set of branch instructions are the conditional branches. Here a decision is first made regarding the condition of a certain data memory or individual bits. Depending upon the conditions, the program will continue with the next instruction or skip over it and jump to the following instruction. These instructions are the key to decision making and branching within the program perhaps determined by the condition of certain input switches or by the condition of internal data bits.

## Bit Operations

The ability to provide single bit operations on Data Memory is an extremely flexible feature of all Holtek microcontrollers. This feature is especially useful for output port bit programming where individual bits or port pins can be directly set high or low using either the "SET [m].i" or "CLR [m].i" instructions respectively. The feature removes the need for programmers to first read the 8-bit output port, manipulate the input data to ensure that other bits are not changed and then output the port with the correct new data. This read-modify-write process is taken care of automatically when these bit operation instructions are used.

## Table Read Operations

Data storage is normally implemented by using registers. However, when working with large amounts of fixed data, the volume involved often makes it inconvenient to store the fixed data in the Data Memory. To overcome this problem, Holtek microcontrollers allow an area of Program Memory to be set as a table where data can be directly stored. A set of easy to use instructions provides the means by which this fixed data can be referenced and retrieved from the Program Memory.

## Other Operations

In addition to the above functional instructions, a range of other instructions also exist such as the "HALT" instruction for Power-down operations and instructions to control the operation of the Watchdog Timer for reliable program operations under extreme electric or electromagnetic environments. For their relevant operations, refer to the functional related sections.

## Instruction Set Summary

The following table depicts a summary of the instruction set categorised according to function and can be consulted as a basic instruction reference using the following listed conventions.

### Table Conventions

x: Bits immediate data  
 m: Data Memory address  
 A: Accumulator  
 i: 0~7 number of bits  
 addr: Program memory address

Mnemonic	Description	Cycles	Flag Affected
<b>Arithmetic</b>			
ADD A,[m]	Add Data Memory to ACC	1	Z, C, AC, OV
ADDM A,[m]	Add ACC to Data Memory	1 <sup>Note</sup>	Z, C, AC, OV
ADD A,x	Add immediate data to ACC	1	Z, C, AC, OV
ADC A,[m]	Add Data Memory to ACC with Carry	1	Z, C, AC, OV
ADCM A,[m]	Add ACC to Data memory with Carry	1 <sup>Note</sup>	Z, C, AC, OV
SUB A,x	Subtract immediate data from the ACC	1	Z, C, AC, OV
SUB A,[m]	Subtract Data Memory from ACC	1	Z, C, AC, OV
SUBM A,[m]	Subtract Data Memory from ACC with result in Data Memory	1 <sup>Note</sup>	Z, C, AC, OV
SBC A,[m]	Subtract Data Memory from ACC with Carry	1	Z, C, AC, OV
SBCM A,[m]	Subtract Data Memory from ACC with Carry, result in Data Memory	1 <sup>Note</sup>	Z, C, AC, OV
DAA [m]	Decimal adjust ACC for Addition with result in Data Memory	1 <sup>Note</sup>	C
<b>Logic Operation</b>			
AND A,[m]	Logical AND Data Memory to ACC	1	Z
OR A,[m]	Logical OR Data Memory to ACC	1	Z
XOR A,[m]	Logical XOR Data Memory to ACC	1	Z
ANDM A,[m]	Logical AND ACC to Data Memory	1 <sup>Note</sup>	Z
ORM A,[m]	Logical OR ACC to Data Memory	1 <sup>Note</sup>	Z
XORM A,[m]	Logical XOR ACC to Data Memory	1 <sup>Note</sup>	Z
AND A,x	Logical AND immediate Data to ACC	1	Z
OR A,x	Logical OR immediate Data to ACC	1	Z
XOR A,x	Logical XOR immediate Data to ACC	1	Z
CPL [m]	Complement Data Memory	1 <sup>Note</sup>	Z
CPLA [m]	Complement Data Memory with result in ACC	1	Z
<b>Increment &amp; Decrement</b>			
INCA [m]	Increment Data Memory with result in ACC	1	Z
INC [m]	Increment Data Memory	1 <sup>Note</sup>	Z
DECA [m]	Decrement Data Memory with result in ACC	1	Z
DEC [m]	Decrement Data Memory	1 <sup>Note</sup>	Z
<b>Rotate</b>			
RRA [m]	Rotate Data Memory right with result in ACC	1	None
RR [m]	Rotate Data Memory right	1 <sup>Note</sup>	None
RRCA [m]	Rotate Data Memory right through Carry with result in ACC	1	C
RRC [m]	Rotate Data Memory right through Carry	1 <sup>Note</sup>	C
RLA [m]	Rotate Data Memory left with result in ACC	1	None
RL [m]	Rotate Data Memory left	1 <sup>Note</sup>	None
RLCA [m]	Rotate Data Memory left through Carry with result in ACC	1	C
RLC [m]	Rotate Data Memory left through Carry	1 <sup>Note</sup>	C

Mnemonic	Description	Cycles	Flag Affected
<b>Data Move</b>			
MOV A,[m]	Move Data Memory to ACC	1	None
MOV [m],A	Move ACC to Data Memory	1 <sup>Note</sup>	None
MOV A,x	Move immediate data to ACC	1	None
<b>Bit Operation</b>			
CLR [m].i	Clear bit of Data Memory	1 <sup>Note</sup>	None
SET [m].i	Set bit of Data Memory	1 <sup>Note</sup>	None
<b>Branch Operation</b>			
JMP addr	Jump unconditionally	2	None
SZ [m]	Skip if Data Memory is zero	1 <sup>Note</sup>	None
SZA [m]	Skip if Data Memory is zero with data movement to ACC	1 <sup>Note</sup>	None
SZ [m].i	Skip if bit i of Data Memory is zero	1 <sup>Note</sup>	None
SNZ [m].i	Skip if bit i of Data Memory is not zero	1 <sup>Note</sup>	None
SIZ [m]	Skip if increment Data Memory is zero	1 <sup>Note</sup>	None
SDZ [m]	Skip if decrement Data Memory is zero	1 <sup>Note</sup>	None
SIZA [m]	Skip if increment Data Memory is zero with result in ACC	1 <sup>Note</sup>	None
SDZA [m]	Skip if decrement Data Memory is zero with result in ACC	1 <sup>Note</sup>	None
CALL addr	Subroutine call	2	None
RET	Return from subroutine	2	None
RET A,x	Return from subroutine and load immediate data to ACC	2	None
RETI	Return from interrupt	2	None
<b>Table Read Operation</b>			
TABRD [m]	Read table (specific page or current page) to TBLH and Data Memory	2 <sup>Note</sup>	None
TABRDL [m]	Read table (last page) to TBLH and Data Memory	2 <sup>Note</sup>	None
<b>Miscellaneous</b>			
NOP	No operation	1	None
CLR [m]	Clear Data Memory	1 <sup>Note</sup>	None
SET [m]	Set Data Memory	1 <sup>Note</sup>	None
CLR WDT	Clear Watchdog Timer	1	TO, PDF
SWAP [m]	Swap nibbles of Data Memory	1 <sup>Note</sup>	None
SWAPA [m]	Swap nibbles of Data Memory with result in ACC	1	None
HALT	Enter power down mode	1	TO, PDF

Note: 1. For skip instructions, if the result of the comparison involves a skip then two cycles are required, if no skip takes place only one cycle is required.

2. Any instruction which changes the contents of the PCL will also require 2 cycles for execution.

## Instruction Definition

<b>ADC A,[m]</b>	Add Data Memory to ACC with Carry
Description	The contents of the specified Data Memory, Accumulator and the carry flag are added. The result is stored in the Accumulator.
Operation	$ACC \leftarrow ACC + [m] + C$
Affected flag(s)	OV, Z, AC, C
<b>ADCM A,[m]</b>	Add ACC to Data Memory with Carry
Description	The contents of the specified Data Memory, Accumulator and the carry flag are added. The result is stored in the specified Data Memory.
Operation	$[m] \leftarrow ACC + [m] + C$
Affected flag(s)	OV, Z, AC, C
<b>ADD A,[m]</b>	Add Data Memory to ACC
Description	The contents of the specified Data Memory and the Accumulator are added. The result is stored in the Accumulator.
Operation	$ACC \leftarrow ACC + [m]$
Affected flag(s)	OV, Z, AC, C
<b>ADD A,x</b>	Add immediate data to ACC
Description	The contents of the Accumulator and the specified immediate data are added. The result is stored in the Accumulator.
Operation	$ACC \leftarrow ACC + x$
Affected flag(s)	OV, Z, AC, C
<b>ADDM A,[m]</b>	Add ACC to Data Memory
Description	The contents of the specified Data Memory and the Accumulator are added. The result is stored in the specified Data Memory.
Operation	$[m] \leftarrow ACC + [m]$
Affected flag(s)	OV, Z, AC, C
<b>AND A,[m]</b>	Logical AND Data Memory to ACC
Description	Data in the Accumulator and the specified Data Memory perform a bitwise logical AND operation. The result is stored in the Accumulator.
Operation	$ACC \leftarrow ACC \text{ "AND" } [m]$
Affected flag(s)	Z
<b>AND A,x</b>	Logical AND immediate data to ACC
Description	Data in the Accumulator and the specified immediate data perform a bit wise logical AND operation. The result is stored in the Accumulator.
Operation	$ACC \leftarrow ACC \text{ "AND" } x$
Affected flag(s)	Z
<b>ANDM A,[m]</b>	Logical AND ACC to Data Memory
Description	Data in the specified Data Memory and the Accumulator perform a bitwise logical AND operation. The result is stored in the Data Memory.
Operation	$[m] \leftarrow ACC \text{ "AND" } [m]$
Affected flag(s)	Z

<b>CALL addr</b>	Subroutine call
Description	Unconditionally calls a subroutine at the specified address. The Program Counter then increments by 1 to obtain the address of the next instruction which is then pushed onto the stack. The specified address is then loaded and the program continues execution from this new address. As this instruction requires an additional operation, it is a two cycle instruction.
Operation	Stack ← Program Counter + 1 Program Counter ← addr
Affected flag(s)	None
<b>CLR [m]</b>	Clear Data Memory
Description	Each bit of the specified Data Memory is cleared to 0.
Operation	[m] ← 00H
Affected flag(s)	None
<b>CLR [m].i</b>	Clear bit of Data Memory
Description	Bit i of the specified Data Memory is cleared to 0.
Operation	[m].i ← 0
Affected flag(s)	None
<b>CLR WDT</b>	Clear Watchdog Timer
Description	The TO, PDF flags and the WDT are all cleared.
Operation	WDT cleared TO ← 0 PDF ← 0
Affected flag(s)	TO, PDF
<b>CPL [m]</b>	Complement Data Memory
Description	Each bit of the specified Data Memory is logically complemented (1's complement). Bits which previously contained a 1 are changed to 0 and vice versa.
Operation	[m] ← $\overline{[m]}$
Affected flag(s)	Z
<b>CPLA [m]</b>	Complement Data Memory with result in ACC
Description	Each bit of the specified Data Memory is logically complemented (1's complement). Bits which previously contained a 1 are changed to 0 and vice versa. The complemented result is stored in the Accumulator and the contents of the Data Memory remain unchanged.
Operation	ACC ← $\overline{[m]}$
Affected flag(s)	Z
<b>DAA [m]</b>	Decimal-Adjust ACC for addition with result in Data Memory
Description	Convert the contents of the Accumulator value to a BCD (Binary Coded Decimal) value resulting from the previous addition of two BCD variables. If the low nibble is greater than 9 or if AC flag is set, then a value of 6 will be added to the low nibble. Otherwise the low nibble remains unchanged. If the high nibble is greater than 9 or if the C flag is set, then a value of 6 will be added to the high nibble. Essentially, the decimal conversion is performed by adding 00H, 06H, 60H or 66H depending on the Accumulator and flag conditions. Only the C flag may be affected by this instruction which indicates that if the original BCD sum is greater than 100, it allows multiple precision decimal addition.
Operation	[m] ← ACC + 00H or [m] ← ACC + 06H or [m] ← ACC + 60H or [m] ← ACC + 66H
Affected flag(s)	C



<b>DEC [m]</b>	Decrement Data Memory
Description	Data in the specified Data Memory is decremented by 1.
Operation	$[m] \leftarrow [m] - 1$
Affected flag(s)	Z
<b>DECA [m]</b>	Decrement Data Memory with result in ACC
Description	Data in the specified Data Memory is decremented by 1. The result is stored in the Accumulator. The contents of the Data Memory remain unchanged.
Operation	$ACC \leftarrow [m] - 1$
Affected flag(s)	Z
<b>HALT</b>	Enter power down mode
Description	This instruction stops the program execution and turns off the system clock. The contents of the Data Memory and registers are retained. The WDT and prescaler are cleared. The power down flag PDF is set and the WDT time-out flag TO is cleared.
Operation	$TO \leftarrow 0$ $PDF \leftarrow 1$
Affected flag(s)	TO, PDF
<b>INC [m]</b>	Increment Data Memory
Description	Data in the specified Data Memory is incremented by 1.
Operation	$[m] \leftarrow [m] + 1$
Affected flag(s)	Z
<b>INCA [m]</b>	Increment Data Memory with result in ACC
Description	Data in the specified Data Memory is incremented by 1. The result is stored in the Accumulator. The contents of the Data Memory remain unchanged.
Operation	$ACC \leftarrow [m] + 1$
Affected flag(s)	Z
<b>JMP addr</b>	Jump unconditionally
Description	The contents of the Program Counter are replaced with the specified address. Program execution then continues from this new address. As this requires the insertion of a dummy instruction while the new address is loaded, it is a two cycle instruction.
Operation	Program Counter $\leftarrow$ addr
Affected flag(s)	None
<b>MOV A,[m]</b>	Move Data Memory to ACC
Description	The contents of the specified Data Memory are copied to the Accumulator.
Operation	$ACC \leftarrow [m]$
Affected flag(s)	None
<b>MOV A,x</b>	Move immediate data to ACC
Description	The immediate data specified is loaded into the Accumulator.
Operation	$ACC \leftarrow x$
Affected flag(s)	None
<b>MOV [m],A</b>	Move ACC to Data Memory
Description	The contents of the Accumulator are copied to the specified Data Memory.
Operation	$[m] \leftarrow ACC$
Affected flag(s)	None

<b>NOP</b>	No operation
Description	No operation is performed. Execution continues with the next instruction.
Operation	No operation
Affected flag(s)	None
<b>OR A,[m]</b>	Logical OR Data Memory to ACC
Description	Data in the Accumulator and the specified Data Memory perform a bitwise logical OR operation. The result is stored in the Accumulator.
Operation	ACC ← ACC "OR" [m]
Affected flag(s)	Z
<b>OR A,x</b>	Logical OR immediate data to ACC
Description	Data in the Accumulator and the specified immediate data perform a bitwise logical OR operation. The result is stored in the Accumulator.
Operation	ACC ← ACC "OR" x
Affected flag(s)	Z
<b>ORM A,[m]</b>	Logical OR ACC to Data Memory
Description	Data in the specified Data Memory and the Accumulator perform a bitwise logical OR operation. The result is stored in the Data Memory.
Operation	[m] ← ACC "OR" [m]
Affected flag(s)	Z
<b>RET</b>	Return from subroutine
Description	The Program Counter is restored from the stack. Program execution continues at the restored address.
Operation	Program Counter ← Stack
Affected flag(s)	None
<b>RET A,x</b>	Return from subroutine and load immediate data to ACC
Description	The Program Counter is restored from the stack and the Accumulator loaded with the specified immediate data. Program execution continues at the restored address.
Operation	Program Counter ← Stack ACC ← x
Affected flag(s)	None
<b>RETI</b>	Return from interrupt
Description	The Program Counter is restored from the stack and the interrupts are re-enabled by setting the EMI bit. EMI is the master interrupt global enable bit. If an interrupt was pending when the RETI instruction is executed, the pending Interrupt routine will be processed before returning to the main program.
Operation	Program Counter ← Stack EMI ← 1
Affected flag(s)	None
<b>RL [m]</b>	Rotate Data Memory left
Description	The contents of the specified Data Memory are rotated left by 1 bit with bit 7 rotated into bit 0.
Operation	[m].(i+1) ← [m].i; (i=0~6) [m].0 ← [m].7
Affected flag(s)	None

<b>RLA [m]</b>	Rotate Data Memory left with result in ACC
Description	The contents of the specified Data Memory are rotated left by 1 bit with bit 7 rotated into bit 0. The rotated result is stored in the Accumulator and the contents of the Data Memory remain unchanged.
Operation	ACC.(i+1) ← [m].i; (i=0~6) ACC.0 ← [m].7
Affected flag(s)	None
<b>RLC [m]</b>	Rotate Data Memory left through Carry
Description	The contents of the specified Data Memory and the carry flag are rotated left by 1 bit. Bit 7 replaces the Carry bit and the original carry flag is rotated into bit 0.
Operation	[m].(i+1) ← [m].i; (i=0~6) [m].0 ← C C ← [m].7
Affected flag(s)	C
<b>RLCA [m]</b>	Rotate Data Memory left through Carry with result in ACC
Description	Data in the specified Data Memory and the carry flag are rotated left by 1 bit. Bit 7 replaces the Carry bit and the original carry flag is rotated into the bit 0. The rotated result is stored in the Accumulator and the contents of the Data Memory remain unchanged.
Operation	ACC.(i+1) ← [m].i; (i=0~6) ACC.0 ← C C ← [m].7
Affected flag(s)	C
<b>RR [m]</b>	Rotate Data Memory right
Description	The contents of the specified Data Memory are rotated right by 1 bit with bit 0 rotated into bit 7.
Operation	[m].i ← [m].(i+1); (i=0~6) [m].7 ← [m].0
Affected flag(s)	None
<b>RRA [m]</b>	Rotate Data Memory right with result in ACC
Description	Data in the specified Data Memory is rotated right by 1 bit with bit 0 rotated into bit 7. The rotated result is stored in the Accumulator and the contents of the Data Memory remain unchanged.
Operation	ACC.i ← [m].(i+1); (i=0~6) ACC.7 ← [m].0
Affected flag(s)	None
<b>RRC [m]</b>	Rotate Data Memory right through Carry
Description	The contents of the specified Data Memory and the carry flag are rotated right by 1 bit. Bit 0 replaces the Carry bit and the original carry flag is rotated into bit 7.
Operation	[m].i ← [m].(i+1); (i=0~6) [m].7 ← C C ← [m].0
Affected flag(s)	C

<b>RRCA [m]</b>	Rotate Data Memory right through Carry with result in ACC
Description	Data in the specified Data Memory and the carry flag are rotated right by 1 bit. Bit 0 replaces the Carry bit and the original carry flag is rotated into bit 7. The rotated result is stored in the Accumulator and the contents of the Data Memory remain unchanged.
Operation	ACC.i ← [m].(i+1); (i=0~6) ACC.7 ← C C ← [m].0
Affected flag(s)	C
<b>SBC A,[m]</b>	Subtract Data Memory from ACC with Carry
Description	The contents of the specified Data Memory and the complement of the carry flag are subtracted from the Accumulator. The result is stored in the Accumulator. Note that if the result of subtraction is negative, the C flag will be cleared to 0, otherwise if the result is positive or zero, the C flag will be set to 1.
Operation	ACC ← ACC – [m] – $\bar{C}$
Affected flag(s)	OV, Z, AC, C
<b>SBCM A,[m]</b>	Subtract Data Memory from ACC with Carry and result in Data Memory
Description	The contents of the specified Data Memory and the complement of the carry flag are subtracted from the Accumulator. The result is stored in the Data Memory. Note that if the result of subtraction is negative, the C flag will be cleared to 0, otherwise if the result is positive or zero, the C flag will be set to 1.
Operation	[m] ← ACC – [m] – $\bar{C}$
Affected flag(s)	OV, Z, AC, C
<b>SDZ [m]</b>	Skip if decrement Data Memory is 0
Description	The contents of the specified Data Memory are first decremented by 1. If the result is 0 the following instruction is skipped. As this requires the insertion of a dummy instruction while the next instruction is fetched, it is a two cycle instruction. If the result is not 0 the program proceeds with the following instruction.
Operation	[m] ← [m] – 1 Skip if [m]=0
Affected flag(s)	None
<b>SDZA [m]</b>	Skip if decrement Data Memory is zero with result in ACC
Description	The contents of the specified Data Memory are first decremented by 1. If the result is 0, the following instruction is skipped. The result is stored in the Accumulator but the specified Data Memory contents remain unchanged. As this requires the insertion of a dummy instruction while the next instruction is fetched, it is a two cycle instruction. If the result is not 0, the program proceeds with the following instruction.
Operation	ACC ← [m] – 1 Skip if ACC=0
Affected flag(s)	None
<b>SET [m]</b>	Set Data Memory
Description	Each bit of the specified Data Memory is set to 1.
Operation	[m] ← FFH
Affected flag(s)	None
<b>SET [m].i</b>	Set bit of Data Memory
Description	Bit i of the specified Data Memory is set to 1.
Operation	[m].i ← 1
Affected flag(s)	None

<b>SIZ [m]</b>	Skip if increment Data Memory is 0
Description	The contents of the specified Data Memory are first incremented by 1. If the result is 0, the following instruction is skipped. As this requires the insertion of a dummy instruction while the next instruction is fetched, it is a two cycle instruction. If the result is not 0 the program proceeds with the following instruction.
Operation	$[m] \leftarrow [m] + 1$ Skip if $[m]=0$
Affected flag(s)	None
<b>SIZA [m]</b>	Skip if increment Data Memory is zero with result in ACC
Description	The contents of the specified Data Memory are first incremented by 1. If the result is 0, the following instruction is skipped. The result is stored in the Accumulator but the specified Data Memory contents remain unchanged. As this requires the insertion of a dummy instruction while the next instruction is fetched, it is a two cycle instruction. If the result is not 0 the program proceeds with the following instruction.
Operation	$ACC \leftarrow [m] + 1$ Skip if $ACC=0$
Affected flag(s)	None
<b>SNZ [m].i</b>	Skip if bit i of Data Memory is not 0
Description	If bit i of the specified Data Memory is not 0, the following instruction is skipped. As this requires the insertion of a dummy instruction while the next instruction is fetched, it is a two cycle instruction. If the result is 0 the program proceeds with the following instruction.
Operation	Skip if $[m].i \neq 0$
Affected flag(s)	None
<b>SUB A,[m]</b>	Subtract Data Memory from ACC
Description	The specified Data Memory is subtracted from the contents of the Accumulator. The result is stored in the Accumulator. Note that if the result of subtraction is negative, the C flag will be cleared to 0, otherwise if the result is positive or zero, the C flag will be set to 1.
Operation	$ACC \leftarrow ACC - [m]$
Affected flag(s)	OV, Z, AC, C
<b>SUBM A,[m]</b>	Subtract Data Memory from ACC with result in Data Memory
Description	The specified Data Memory is subtracted from the contents of the Accumulator. The result is stored in the Data Memory. Note that if the result of subtraction is negative, the C flag will be cleared to 0, otherwise if the result is positive or zero, the C flag will be set to 1.
Operation	$[m] \leftarrow ACC - [m]$
Affected flag(s)	OV, Z, AC, C
<b>SUB A,x</b>	Subtract immediate data from ACC
Description	The immediate data specified by the code is subtracted from the contents of the Accumulator. The result is stored in the Accumulator. Note that if the result of subtraction is negative, the C flag will be cleared to 0, otherwise if the result is positive or zero, the C flag will be set to 1.
Operation	$ACC \leftarrow ACC - x$
Affected flag(s)	OV, Z, AC, C
<b>SWAP [m]</b>	Swap nibbles of Data Memory
Description	The low-order and high-order nibbles of the specified Data Memory are interchanged.
Operation	$[m].3\sim[m].0 \leftrightarrow [m].7\sim[m].4$
Affected flag(s)	None

<b>SWAPA [m]</b>	Swap nibbles of Data Memory with result in ACC
Description	The low-order and high-order nibbles of the specified Data Memory are interchanged. The result is stored in the Accumulator. The contents of the Data Memory remain unchanged.
Operation	ACC.3~ACC.0 ← [m].7~[m].4 ACC.7~ACC.4 ← [m].3~[m].0
Affected flag(s)	None
<b>SZ [m]</b>	Skip if Data Memory is 0
Description	The contents of the specified Data Memory are read out and then written to the specified Data Memory again. If the contents of the specified Data Memory is 0, the following instruction is skipped. As this requires the insertion of a dummy instruction while the next instruction is fetched, it is a two cycle instruction. If the result is not 0 the program proceeds with the following instruction.
Operation	Skip if [m]=0
Affected flag(s)	None
<b>SZA [m]</b>	Skip if Data Memory is 0 with data movement to ACC
Description	The contents of the specified Data Memory are copied to the Accumulator. If the value is zero, the following instruction is skipped. As this requires the insertion of a dummy instruction while the next instruction is fetched, it is a two cycle instruction. If the result is not 0 the program proceeds with the following instruction.
Operation	ACC ← [m] Skip if [m]=0
Affected flag(s)	None
<b>SZ [m].i</b>	Skip if bit i of Data Memory is 0
Description	If bit i of the specified Data Memory is 0, the following instruction is skipped. As this requires the insertion of a dummy instruction while the next instruction is fetched, it is a two cycle instruction. If the result is not 0, the program proceeds with the following instruction.
Operation	Skip if [m].i=0
Affected flag(s)	None
<b>TABRD [m]</b>	Read table (specific page or current page) to TBLH and Data Memory
Description	The low byte of the program code addressed by the table pointer (TBHP and TBLP or only TBLP if no TBHP) is moved to the specified Data Memory and the high byte moved to TBLH.
Operation	[m] ← program code (low byte) TBLH ← program code (high byte)
Affected flag(s)	None
<b>TABRDL [m]</b>	Read table (last page) to TBLH and Data Memory
Description	The low byte of the program code (last page) addressed by the table pointer (TBLP) is moved to the specified Data Memory and the high byte moved to TBLH.
Operation	[m] ← program code (low byte) TBLH ← program code (high byte)
Affected flag(s)	None
<b>XOR A,[m]</b>	Logical XOR Data Memory to ACC
Description	Data in the Accumulator and the specified Data Memory perform a bitwise logical XOR operation. The result is stored in the Accumulator.
Operation	ACC ← ACC "XOR" [m]
Affected flag(s)	Z

<b>XORM A,[m]</b>	Logical XOR ACC to Data Memory
Description	Data in the specified Data Memory and the Accumulator perform a bitwise logical XOR operation. The result is stored in the Data Memory.
Operation	$[m] \leftarrow \text{ACC} \text{ "XOR" } [m]$
Affected flag(s)	Z
<b>XOR A,x</b>	Logical XOR immediate data to ACC
Description	Data in the Accumulator and the specified immediate data perform a bitwise logical XOR operation. The result is stored in the Accumulator.
Operation	$\text{ACC} \leftarrow \text{ACC} \text{ "XOR" } x$
Affected flag(s)	Z

## Package Information

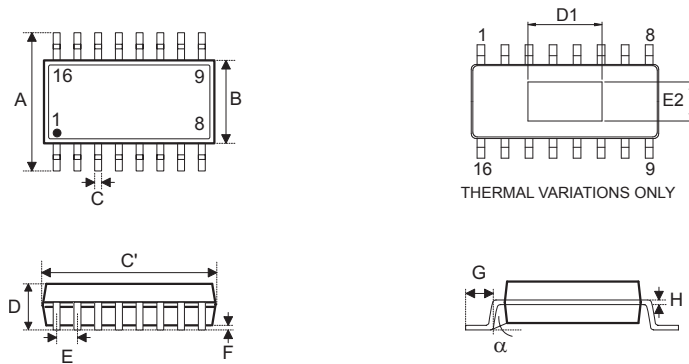
Note that the package information provided here is for consultation purposes only. As this information may be updated at regular intervals users are reminded to consult the [Holtek website](#) for the latest version of the [Package/Carton Information](#).

Additional supplementary information with regard to packaging is listed below. Click on the relevant section to be transferred to the relevant website page.

- [Further Package Information \(include Outline Dimensions, Product Tape and Reel Specifications\)](#)
- [Packing Materials Information](#)
- [Carton information](#)



**16-pin NSOP (150mil) Outline Dimensions (Exposed Pad)**



Symbol	Dimensions in inch		
	Min.	Nom.	Max.
A	—	0.236 BSC	—
B	—	0.154 BSC	—
D1	0.059	—	—
E2	0.039	—	—
C	0.012	—	0.020
C'	—	0.390 BSC	—
D	—	—	0.069
E	—	0.050 BSC	—
F	0.004	—	0.010
G	0.016	—	0.050
H	0.004	—	0.010
$\alpha$	0°	—	8°

Symbol	Dimensions in mm		
	Min.	Nom.	Max.
A	—	6.00 BSC	—
B	—	3.90 BSC	—
D1	1.50	—	—
E2	1.00	—	—
C	0.31	—	0.51
C'	—	9.90 BSC	—
D	—	—	1.75
E	—	1.27 BSC	—
F	0.10	—	0.25
G	0.40	—	1.27
H	0.10	—	0.25
$\alpha$	0°	—	8°

Copyright© 2021 by HOLTEK SEMICONDUCTOR INC.

The information appearing in this Data Sheet is believed to be accurate at the time of publication. However, Holtek assumes no responsibility arising from the use of the specifications described. The applications mentioned herein are used solely for the purpose of illustration and Holtek makes no warranty or representation that such applications will be suitable without further modification, nor recommends the use of its products for application that may present a risk to human life due to malfunction or otherwise. Holtek's products are not authorized for use as critical components in life support devices or systems. Holtek reserves the right to alter its products without prior notification. For the most up-to-date information, please visit our web site at <http://www.holtek.com>.